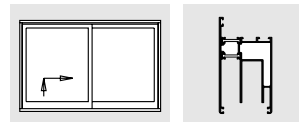


# HS-PORTAL 300 LM

Lift and slide hardware for aluminium doors  
Hardware information for profile manufacturers



## ... with the following benefits:

- with integrated night vent
- profile cylinder accessories
- secure due to 4 locking points on the drive gear
- fixed wheels allow simple and easy assembly
- smooth operation even on heavier sashes

## Size range

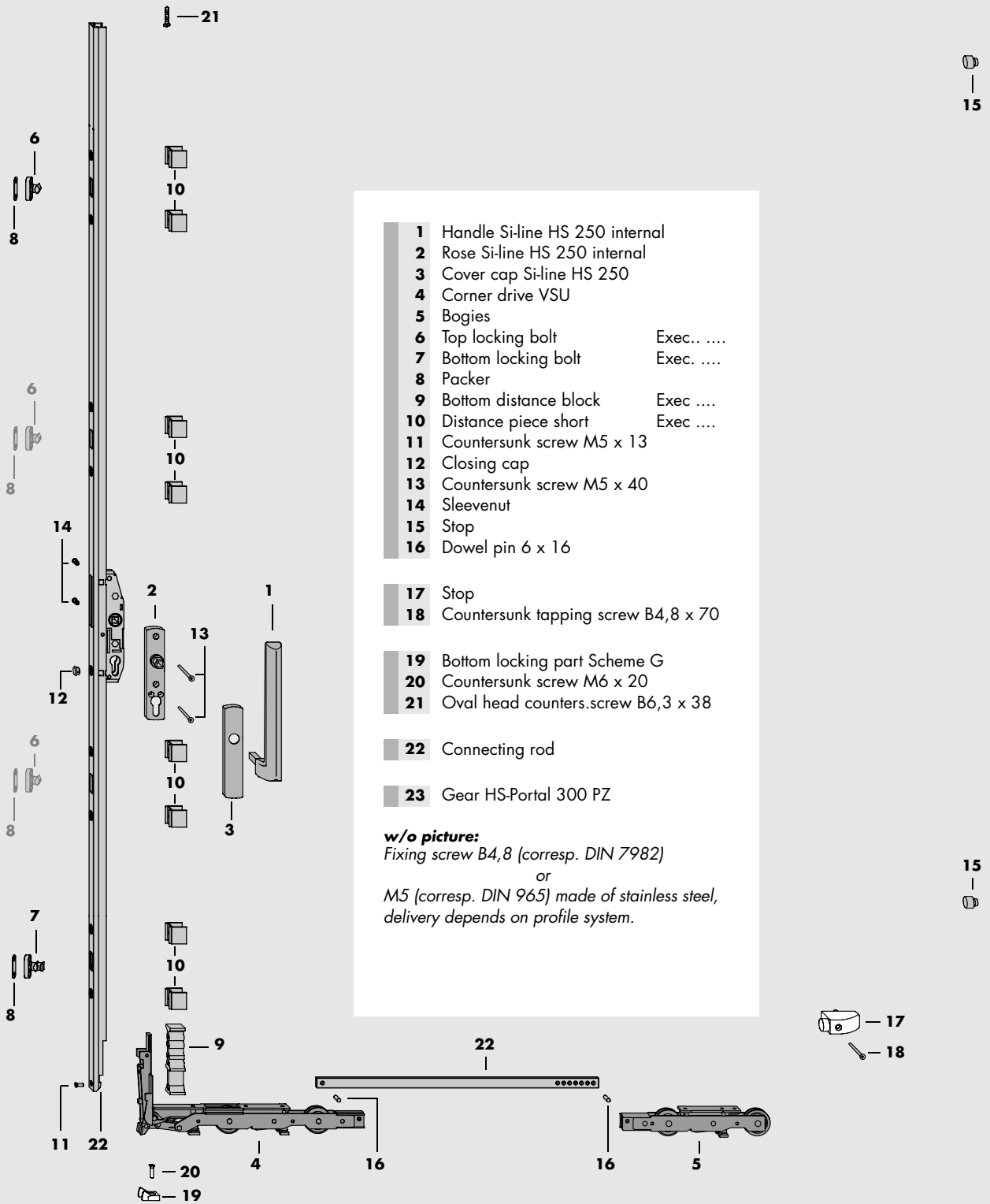
Sash width	(mm)	profile dependent max. 3350
Sash height ( <i>Sliding sash</i> )	(mm)	profile dependent max. 2675
Frame width	(mm)	with scheme A max. 6700
Frame height	(mm)	depends on profile system
Sash weight	(kg)	<b>max. 300</b>
Backset ( <i>Gear</i> )	(mm)	37,5
Handle position ( <i>Window</i> )	(mm)	from top edge running rail 395
Handle position ( <i>Door</i> )	(mm)	from top edge running rail 995

## Contents

Size range.....	Page 1	Fitting detail(I).....	Page 6
Fittings layout.....	Page 2	Fitting detail(II).....	Page 7
Parts list.....	Page 3	Scheme Options.....	Page 8
Profile dependent measurements.....	Page 4	Specifics on scheme C.....	Page 9
Accessories.....	Page 5	Jigs.....	Page 10

Assembly instruction  
HSgb7005

# HS-PORTAL 300 LM Hardware Layout Fittings layout



## Flexible by optimized packing units

- Handle Si-line HS 250 internal (1) and Cover cap Si-line HS 250(3) available in white RAL 9016 – silver – si-brown
- Basic parts (4 to 16) in Carton HS-Portal 300 LM (profile dependent)
- Sash width dependent connecting rod size 150 to 335 (22)
- Sash height dependent Gear HS-Portal 300 PZ size 170, 220 and 260 (23)

# HS-PORTAL 300 LM Hardware Parts list

Pos.	Qty					Materialshorttext	Materialnumber			
	A	D	G	C	F		RAL9016 white	silver	Si-brown	
always required	1	1	2	1	2	4	<b>Carton Handle Si-line HS 250 internal</b> A0156	267226	267219	267240
	2	1	2	1	2	4	Handle Si-line HS 250 internal A0156			
	3	1	2	1	2	4	Rose Si-line HS 250 internal			
	4	1	2	1	2	4	Cover cap Si-line HS 250			
	5	1	2	1	2	4	<b>Carton HS-PORTAL 300 LM consisting of :</b> A....	....		
	6	1	2	1	2	4	Corner drive VSU HS		PEUB0010-100010	
	7	1	2	1	2	4	Bogies HS		PLWB0020-100010	
	8	1	2	- <sup>1)</sup>	1 <sup>1)</sup>	3 <sup>1)</sup>	Bag locking parts HSLM A....			
	9	1	2	- <sup>1)</sup>	1 <sup>1)</sup>	3 <sup>1)</sup>	Top locking parts A.... <i>air gap dependent</i>		See page 7	
	10	1	2	- <sup>1)</sup>	1 <sup>1)</sup>	3 <sup>1)</sup>	Bottom locking parts A.... <i>air gap dependent</i>		See page 7	
	11	1	2	- <sup>1)</sup>	1 <sup>1)</sup>	3 <sup>1)</sup>	Packer 1 mm / 2 mm <i>airgap dependent</i>		See page 7	
	12	1	2	1	2	4	Bag sash parts HSLM A....			
	13	1	2	1	2	4	Lower distance block A.... <i>profile dependent</i>		See page 7	
	14	8	16	8	16	32	Distance piece short A.... <i>profile dependent</i>		See page 7	
	15	1	2	1	2	4	Countersunk screw M5 x 13		800850	
	16	1	2	1	2	4	Closing cap grey		819708	
17	1	2	1	2	4	Closing cap brown		819869		
18	2	4	2	4	8	Countersunk screw M5 x 40		801048		
19	2	4	2	4	8	Sleeve nut		800287		
20	2	4	- <sup>1)</sup>	4	- <sup>1)</sup>	Stop		824412		
21	1	2	1	2	4	Bag screws HSLM A...				
22	2	4	2	4	8	Dowel pin 6 x 16		823132		
23						Screws <i>profile dependent</i>				
24	-	1	1	-	2	<b>Bag Stop consisting of:</b>	821237	860649	831922	
25	-	1	1	-	2	Stop	800812	861004	855898	
26	-	1	1	-	2	Countersunk tap. screw B4,8 x70	844090	844090	844090	
27	-	-	1	1	1	<b>Bag locking parts HS Scheme G consisting of:</b>	238691			
28	-	-	1	1	1	Locking part bottom Scheme G		848272		
29	-	-	1	1	1	Countersunk screw M6 x 20		848289		
30	-	-	1	1	1	Pan head tap. screw B6,3 x 38		848296		

sash width dep.	22	1	2	1	2	4	Connecting rod			719282 719480 719497 719725
							Size	Length (in mm)	FB (in mm)	
							150	898	720 to 1500	
							200	1398	1501 to 2000	
							250	1898	2001 to 2500	
							335	2748	2501 to 3350	

sash height dep.	23	1	2	1	2	4	Gear HS-PORTAL 300 PZ			PGKB0010-524010 PGKB0020-524010 PGKB0030-524010	PGKB0010-524010 PGKB0020-524010 PGKB0030-524010	PGKB0010-532010 PGKB0020-532010 PGKB0030-532010
							Size	Handle pos. (in mm)	FH (in mm)			
							170	1190	to 1790			
							220	1791	to 2290			
							260	2291	to 2690			



## Accessories

Accessories	24	0..1	0..2	0..1	0..2	0..4	Finger pull Si-line		880869	880838	885239
							long	long			
	25	0..1	0..2	0..1	0..2	0..4	Rose Si-line outwards		-	881569	-
	26	0..1	0..2	0..1	0..2	0..4	Handle Si-line HS 250, detachable		891735 <sup>2)</sup>	-	-
	27	0..1	0..2	0..1	0..2	0..4	Rose Si-line internal		-	881613	-

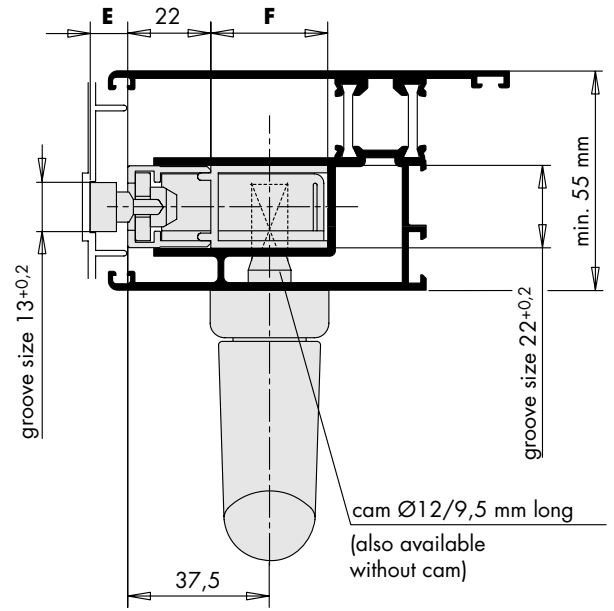
1) Actual need; delivery contains further parts.

2) Color RAL 9003 white



Distance block (10) and Distance piece, short(11)

	DIM F (mm)	Execution	Distance block Part number	Distance pc, short Part number
10 	16	A0001	862711	PDZB0040-096010
	18	A0020	634.2341.5021.A0	PDZB0050-096010
	20	A0029	856000	PDZB0060-096010
	23	A0007	855997	PDZB0070-096010
	25	A0004	856161	PDZB0080-096010
	27	A0008	863282	PDZB0100-096010
11 	30	A0006	857465	PDZB0110-096010
	31	A0018	897577	PDZB0120-096010
	32	A0015	849200	PDZB0130-096010
	35	A0002	859049	PDZB0140-096010

**Cross section A-B**

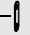


Locking bolts (7 and 8)

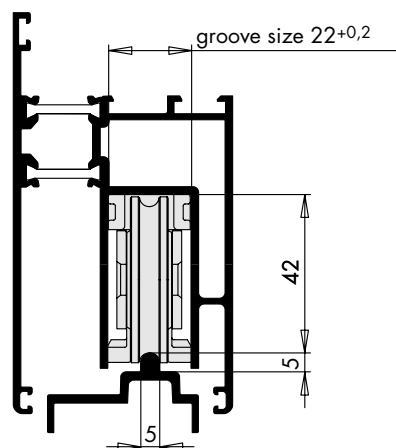
	DIM E <sup>1)</sup> (mm)	Execution	Top locking bolt Part number	Bottom locking bolt Part number
7 	4	A0012	719398	719404
	7	A0020	719305	719312
	8	A0001	719190	634.2834.5004X60
	8,5	A0005	719206	719220
	9	A0006	719213	719237
8 	14	A0009	719329	719343
	16	A0013	719244	719268
	19,5	A0002	722220	719299
	20	A0004	719251	722534

1) intermediate sizes using packers of 1 mm and 2 mm possible

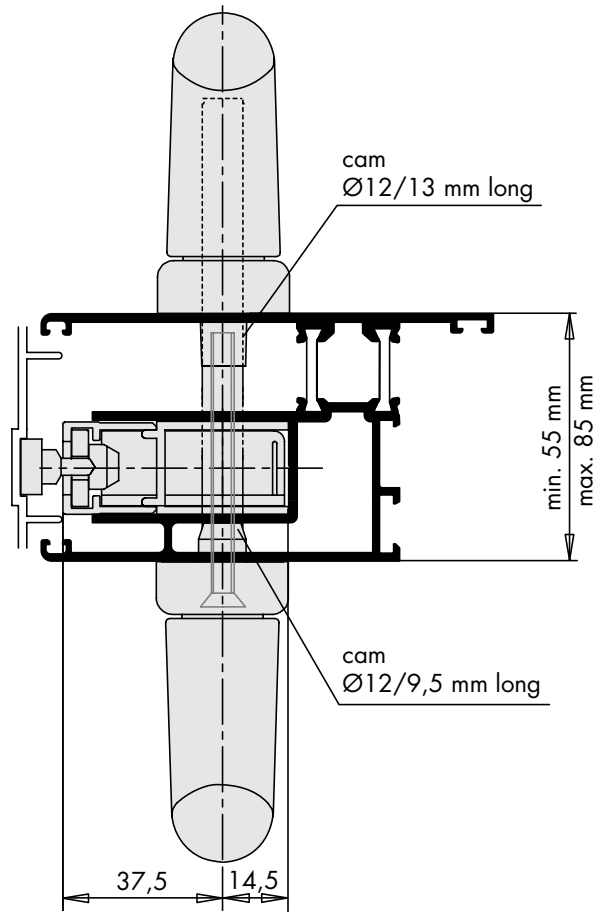
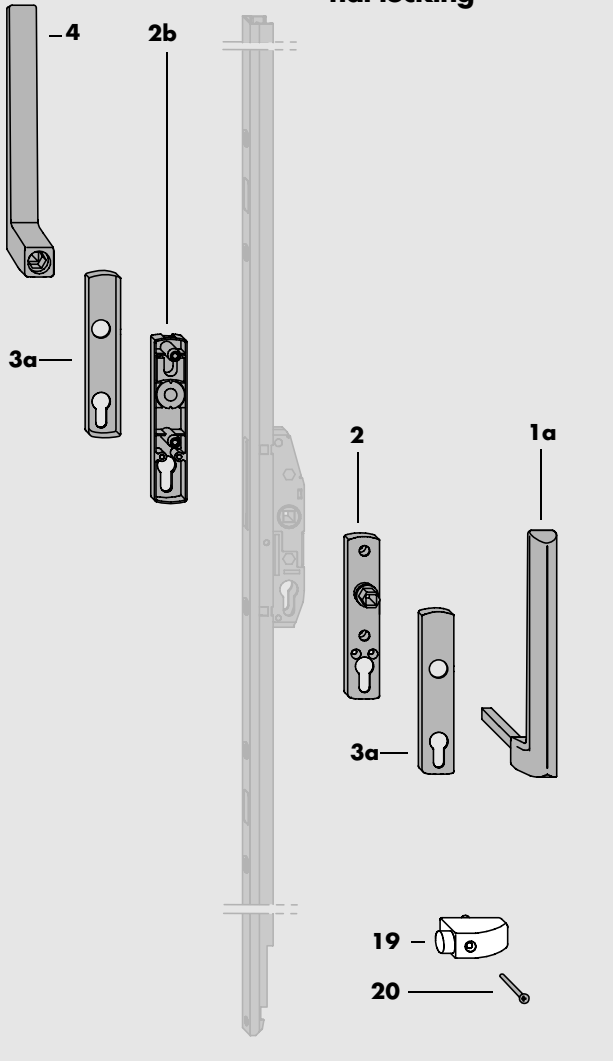
Packers (9) for locking bolts

		Part number
9 	1 mm	721285
	2 mm	721292

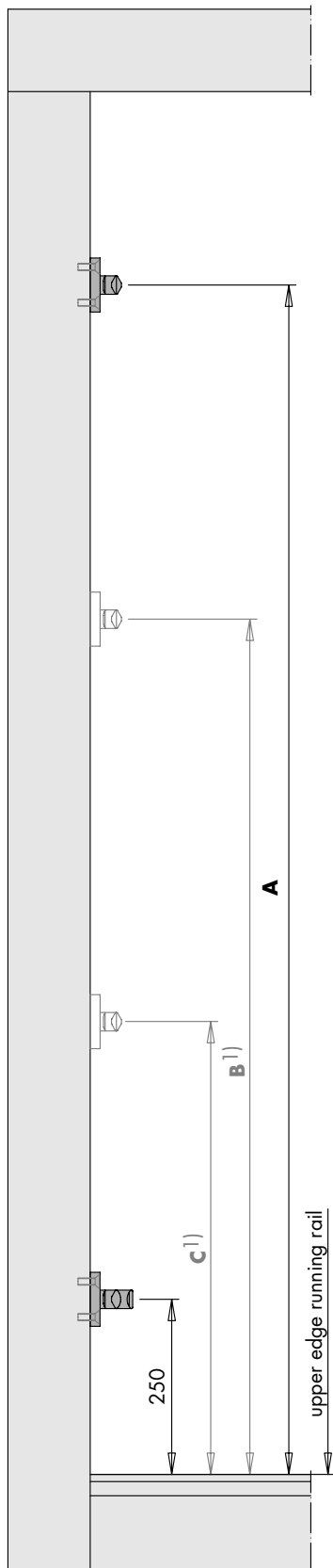
**Cross section C-D**



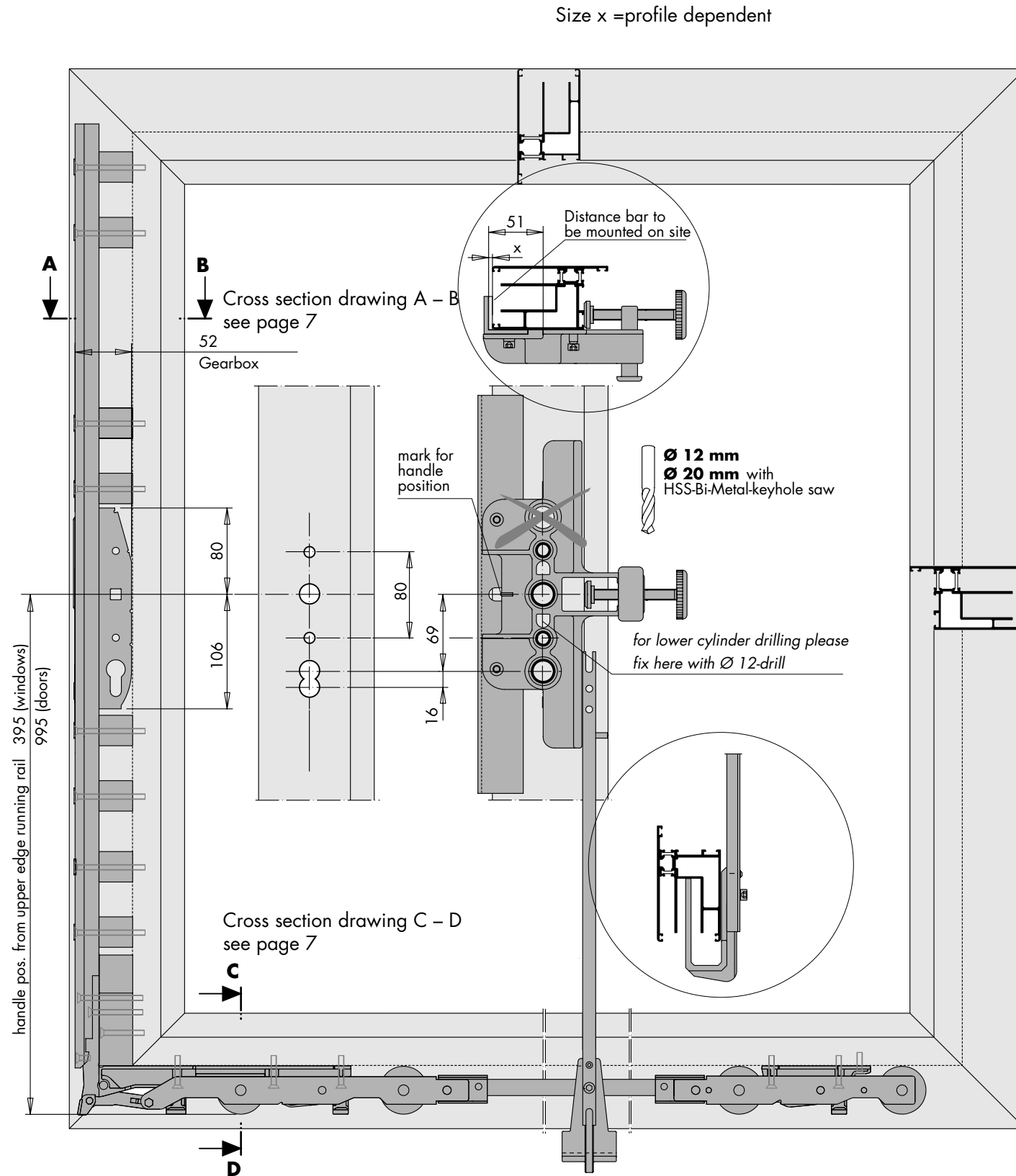
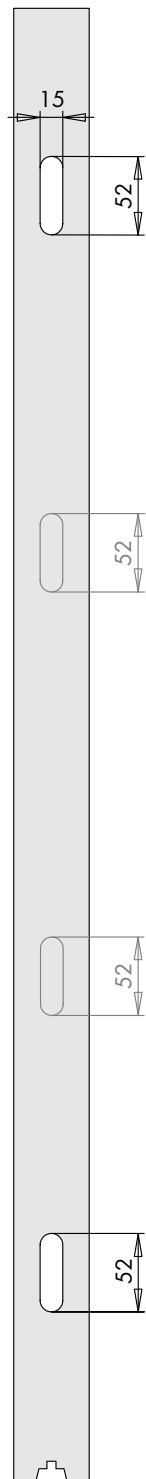
**Handle Si-line  
HS 250 PZ A0156  
internal and external  
locking**



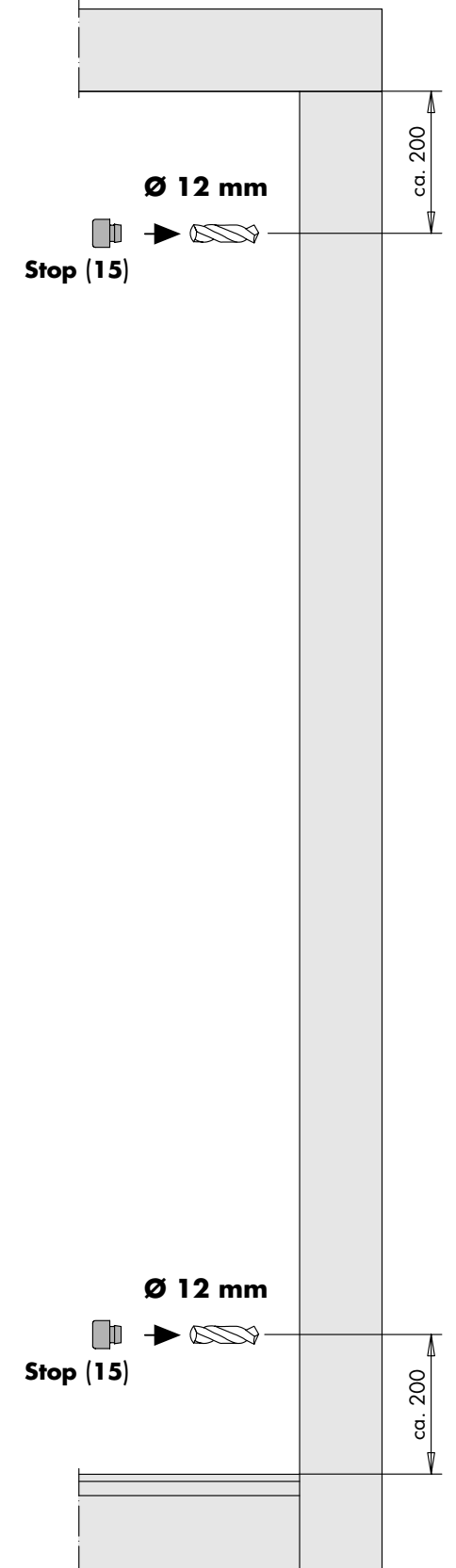
Pos.	Pcs per scheme					Description	Part number			
	A	D	G	C	F		RAL9016 white	silver	si-brown	
	<b>1</b>	<b>2</b>	-	<b>1..2</b>	<b>3..4</b>	<b>Handle Si-line HS 250-PZ internal</b> <i>(only in conn. with Si-line HS 250-PZ external)</i> consisting of:	<b>A0156</b>	<b>272725</b>	<b>267264</b>	<b>267271</b>
										<b>i. +. ex. locking</b>
1a	1	2	-	1..2	3..4	Handle Si-line HS 250 PZ internal	A0156			
2	1	2	-	1..2	3..4	Rose Si-line internal				
3a	2	2	-	2..4	6..8	Cover cap Si-line HS 250	884898	876602	876633	
	<b>1</b>	<b>2</b>	-	<b>1..2</b>	<b>3..4</b>	<b>Handle Si-line HS 250-PZ external</b> <i>(only in conn. with Si-line HS 250-PZ internal)</i> consisting of:	<b>A0156</b>	<b>272749</b>	<b>272732</b>	<b>272756</b>
										<b>i. +. ex. locking</b>
4	1	2	-	1..2	3..4	Handle Si-line HS 250 PZ external	A0156			
2b	1	2	-	1..2	3..4	Rose Si-line external				
3a	2	2	-	2..4	6..8	Cover cap Si-line HS 250	884898	876602	876633	
	<b>1</b>	<b>2</b>	-	<b>1..2</b>	<b>3..4</b>	<b>Bag Stop</b>	<b>821237</b>	<b>860649</b>	<b>821244</b>	
19	1	2	-	1..2	3..4	Stop				
20	1	2	-	1..2	3..4	Countersunk tap. screw B4,8 x 70				



Sash cover plate (profile dependent)



Size x =profile dependent



Gear	Size A	Size B <sup>1)</sup>	Size C <sup>1)</sup>	Sash height <sup>2)</sup>
Sz 170	1000	600	-	1175 - 1775
Sz 220	1600	1200	750	1776 - 2275
Sz 260	2200	1200	750	2276 - 2675

1) If requested 2 pcs top locking bolts (6) can be used as additional centre lock. The locking points on Gear HS-Portal 300 PZ (23) must be opened.

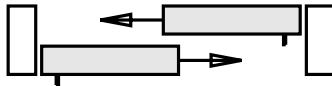
2) Small deviations possible (profile dependent)

*left hand* or *right hand*

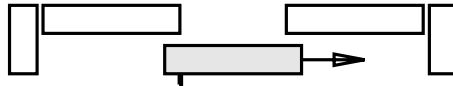
**Scheme A**



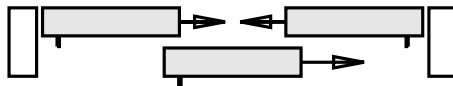
**Scheme D**



**Scheme G**



**Scheme H**



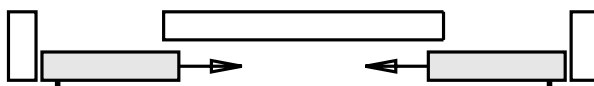
**Scheme C**

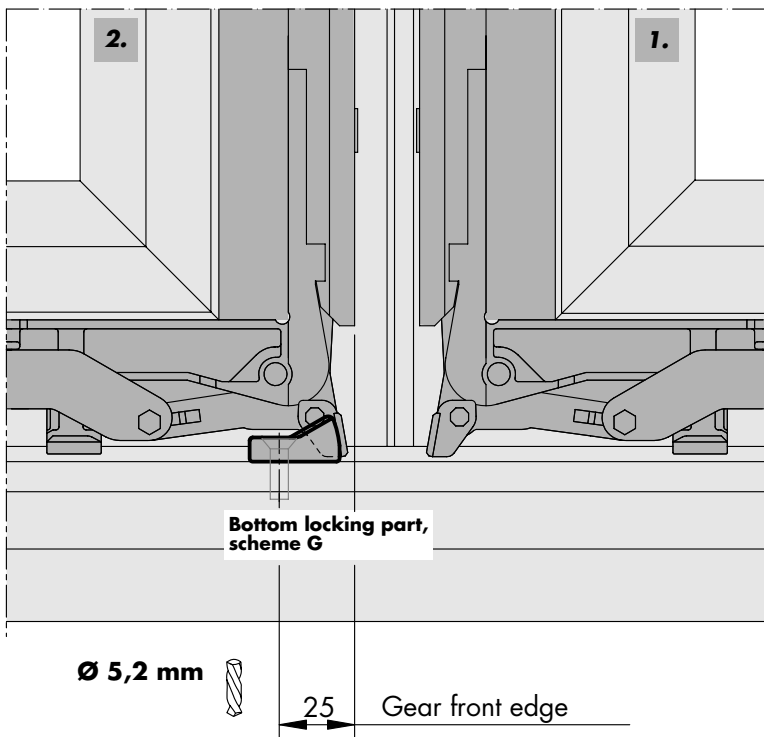
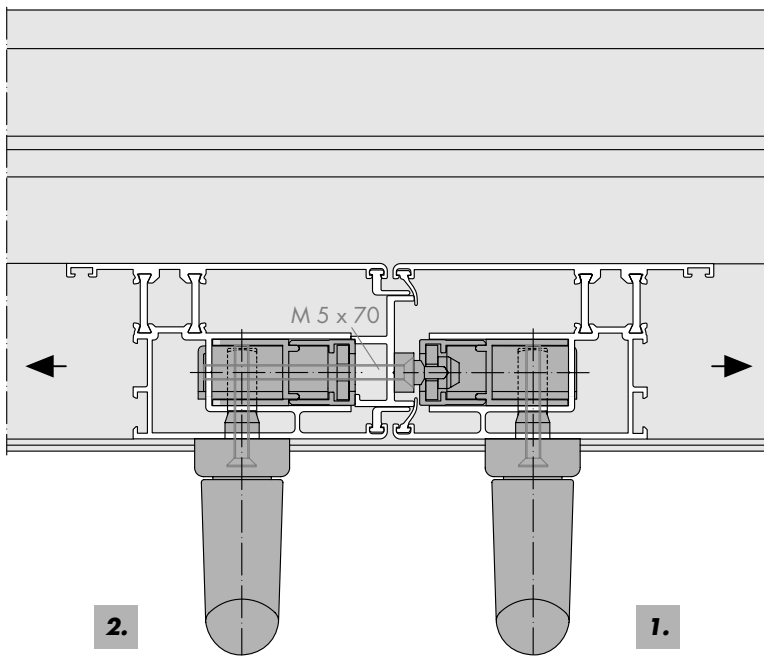


**Scheme F**



**Scheme K**





Notes for Scheme C:

- The locking points are lowered by 4mm  
Reduce Dim A to C on page 14  
by 4 mm
- screw a self tapping screw B6,3 x 38 **(21)**  
into the frame ~ 50 mm from the sash leading edge above the slave sash  
[see also page 9]
- To avoid misoperation of the two leaves ,  
the master and slave sashes should be clearly identified.

The sliding doors should only be operated in the following sequence !

*Opening:* first the master [1.],  
then the slave sash [2.]

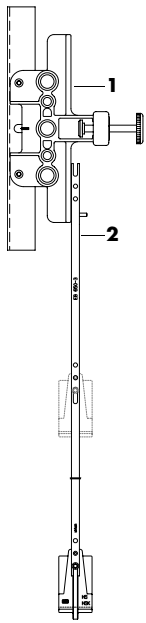
*Closing:* first the slave sash [2.],  
and then the master [1.]

**Fitting the locking parts , Scheme G**

- A Mark the running rail 25 mm behind the gear front edge  
and ctr punch for a csk screw M6 x 20 (20).
- B Pre drill with a Ø 5,2 mm drill.
- C Screw in the locking part for Scheme G **(19)** .



# HS-PORTAL 300 LM Hardware information Jigs



Materialshorttext	Tool	Materialnumber
<p><b>Jig EB 651-3</b>  <i>Consisting of:</i> <i>for gear drillings</i></p> <p>Pos. 1                      Jig EB 651-3* <i>Jig has backset 51;                      According to profile dependent back-                      set please use distance piece on site</i></p> <p>Pos. 2                      Adjusting rod                      (incl. lower stop ) <i>for EB 650-3 and EB 651-3</i></p>	<p>Drill : <math>\varnothing</math> 12 mm  <math>\varnothing</math> 20 mm</p>	<p>PABB0010-521010</p> <p>157244</p>
<p><b>Centre punch KF</b> <i>for ctr punching the hole for the lock-                      ing part</i></p>		<p>141892</p>