

# MİMARİ KATALOG ARCHITECTURAL CATALOGUE

Alüminyum Kapı Pencere ve Giydirme Cephe Sistemleri  
Aluminium Window Doors and Facade Systems



# RB90



# MİMARİ KATALOG

## ARCHITECTURAL CATALOGUE

Alüminyum Kapı Pencere ve Giydirme Cephe Sistemleri  
Aluminium Window Doors and Facade Systems

# RB90

PROFİLLER

PROFILES

14

15

16

17

18

19

20

21

22

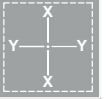
23

24

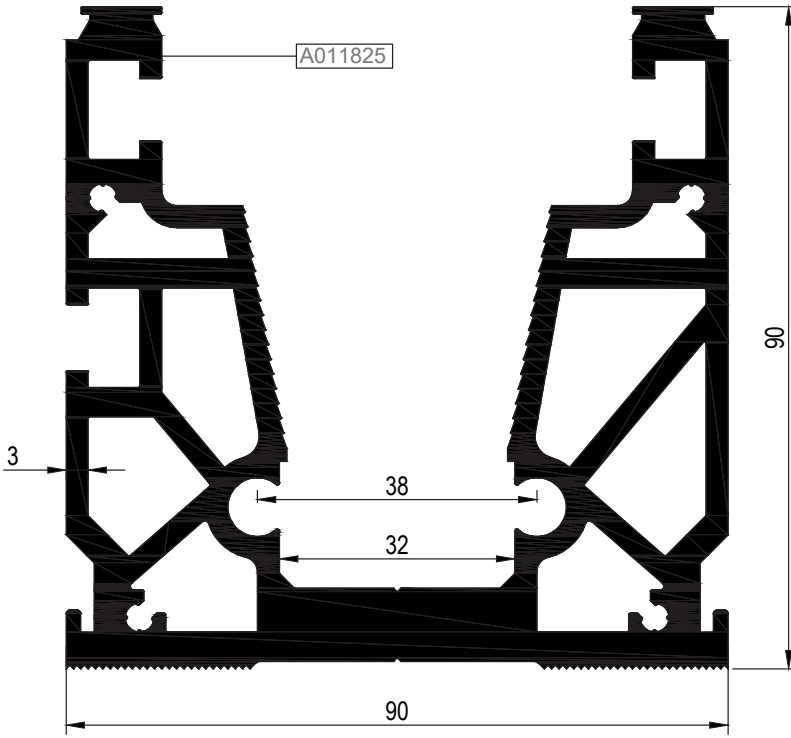
25

26

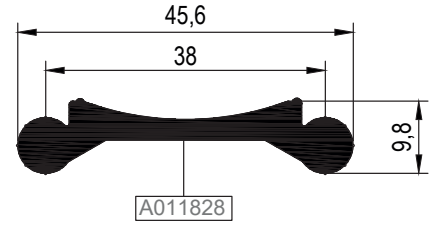
KOD / CODE	AĞIRLIK (kg/m) / WEIGHT	L m	KOD / CODE	AĞIRLIK (kg/m) / WEIGHT	L m
B90 F 01	6,380	6			
B90 A 01	0,600	6			
B90 F 02	6,956	6			



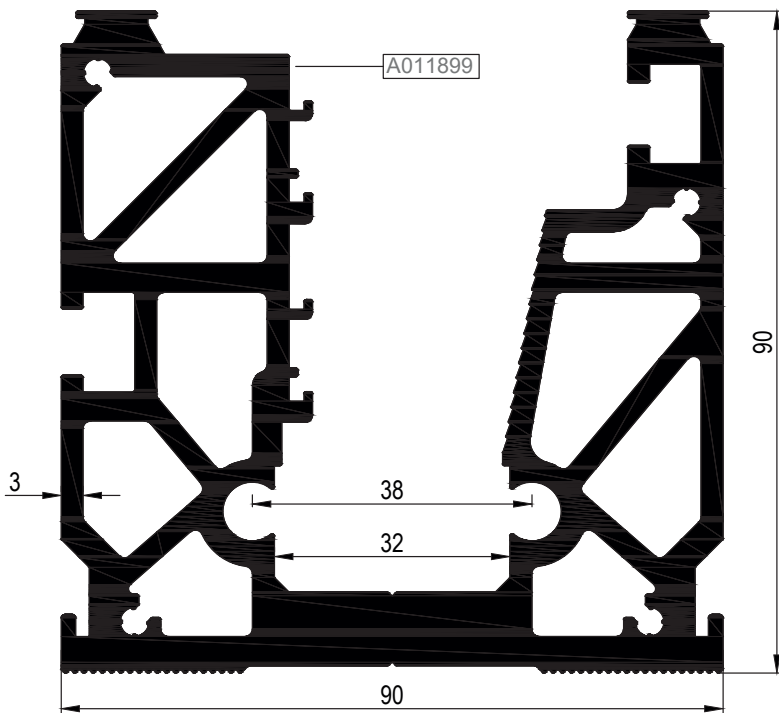
B90 F 01



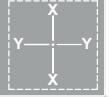
B90 A 01



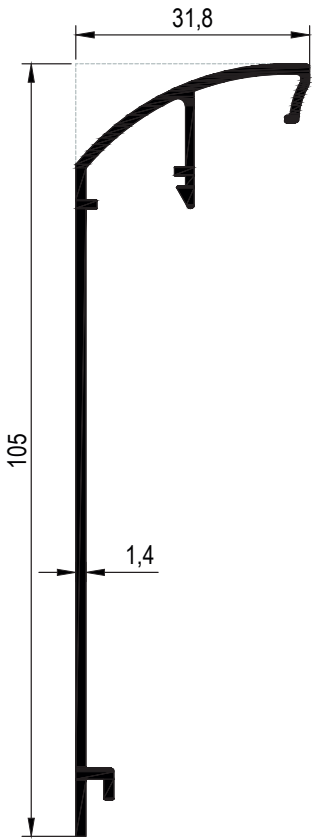
B90 F 02



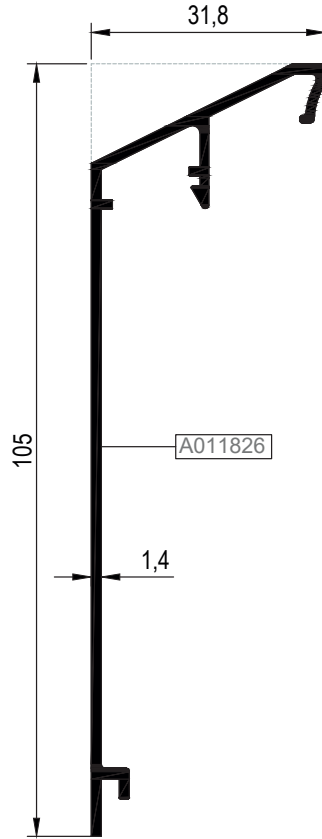
KOD / CODE	AĞIRLIK (kg/m) / WEIGHT	L m	KOD / CODE	AĞIRLIK (kg/m) / WEIGHT	L m
B90 P 01	----	6			
B90 P 02	0,580	6			
B90 P 03	----	6			
B90 P 04	0,396	6			



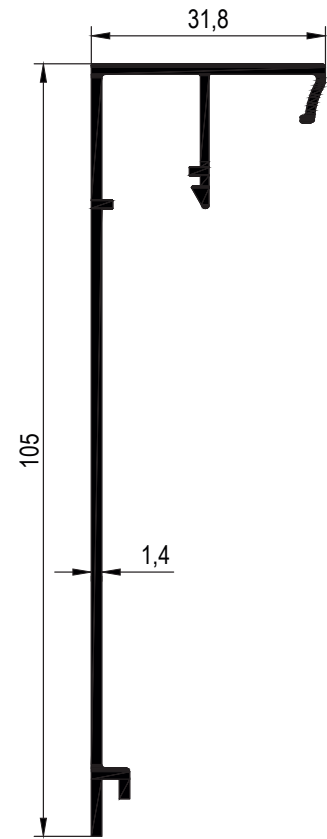
\*\*B90 P 01



B90 P 02

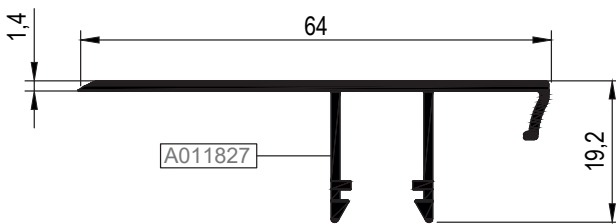


\*\*B90 P 03

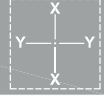


\*\*Kalıp aktif değildir. Sipariş üzerine yapılacaktır.  
The die is not active. It will be produced on order.

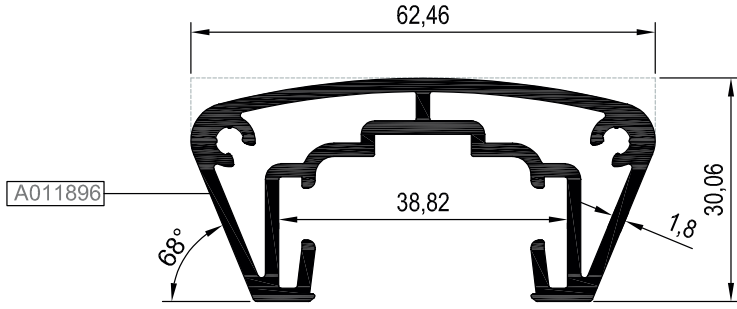
B90 P 04



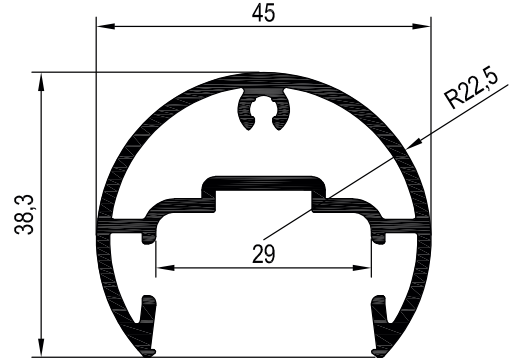
KOD / CODE	AĞIRLIK (kg/m) / WEIGHT	L m	KOD / CODE	AĞIRLIK (kg/m) / WEIGHT	L m
B120 T 02	0,323	6			
B120 T 05	0,867	6			
B120 T 06	1,216	6			
B120 T 07	1,275	6			



B120 T 06

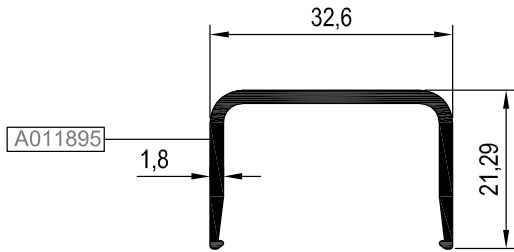


\*\*B120 T 05

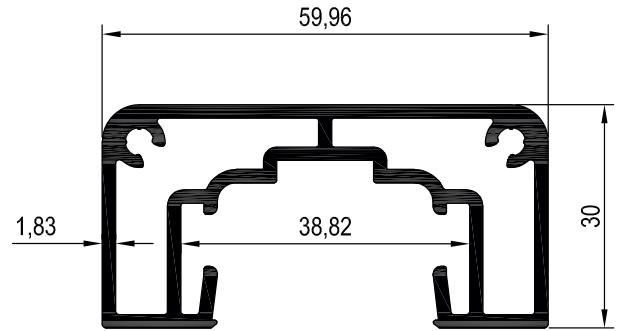


\*\*Kalıp aktif değildir. Sipariş üzerine yapılacaktır.  
The die is not active. It will be produced on order.

B120 T 02



\*\*B120 T 07



\*\*Kalıp aktif değildir. Sipariş üzerine yapılacaktır.  
The die is not active. It will be produced on order.

STOKTA BULUNAN SİSTEM PROFİLLERİNİN LİSTESİ (LIST OF SYSTEM PROFILES IN STOCK)

Nr	MİN. SİPARİŞ MİKTARI MIN. ORDER QUANTITY
B90 P 02	A011826 75 kg
B90 P 04	A011827 75 kg
B90 A 02	A011829 75 kg
B90 A 03	A011845 75 kg

\* STOKTA BULUNMAYAN TÜM PROFİLLER İÇİN MİNİMUM SİPARİŞ MİKTARI 300 KG'DIR.  
MINIMUM ORDER QUANTITY FOR ALL THE PROFILES THAT ARE NOT IN STOCK IS 300 KG.

STOKTA BULUNAN SİSTEM PROFİLLERİNİN LİSTESİ  
(LIST OF SYSTEM PROFILES IN STOCK)

Nr		MIN. SİPARİŞ MİKTARI MIN. ORDER QUANTITY
B90 P 02	A011826	75 kg
B90 P 04	A011827	75 kg
B90 A 02	A011829	75 kg
B90 A 03	A011845	75 kg

\* STOKTA BULUNMAYAN TÜM PROFİLLER İÇİN MİNİMUM SİPARİŞ MİKTARI 300 KG'DİR.  
MINIMUM ORDER QUANTITY FOR ALL THE PROFILES THAT ARE NOT IN STOCK IS 300 KG.





# MİMARİ KATALOG

## ARCHITECTURAL CATALOGUE

Alüminyum Kapı Pencere ve Giydirme Cephe Sistemleri  
Aluminium Window Doors and Facade Systems

# RB90

DETAYLAR

DETAILS

14

15

16

17

18

19

20

21

22

23

24

25

26

14

15

16

17

18

19

20

21

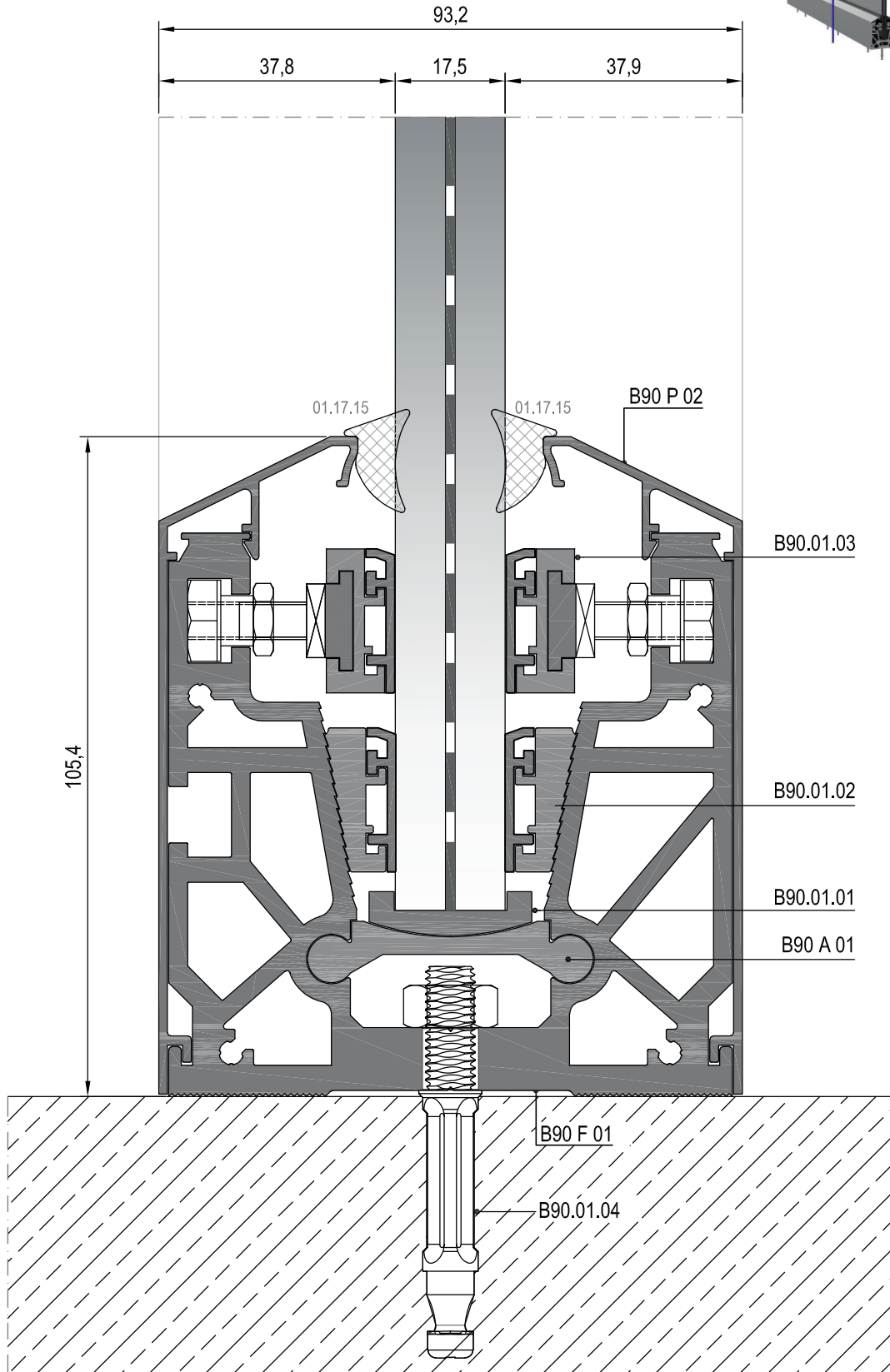
22

23

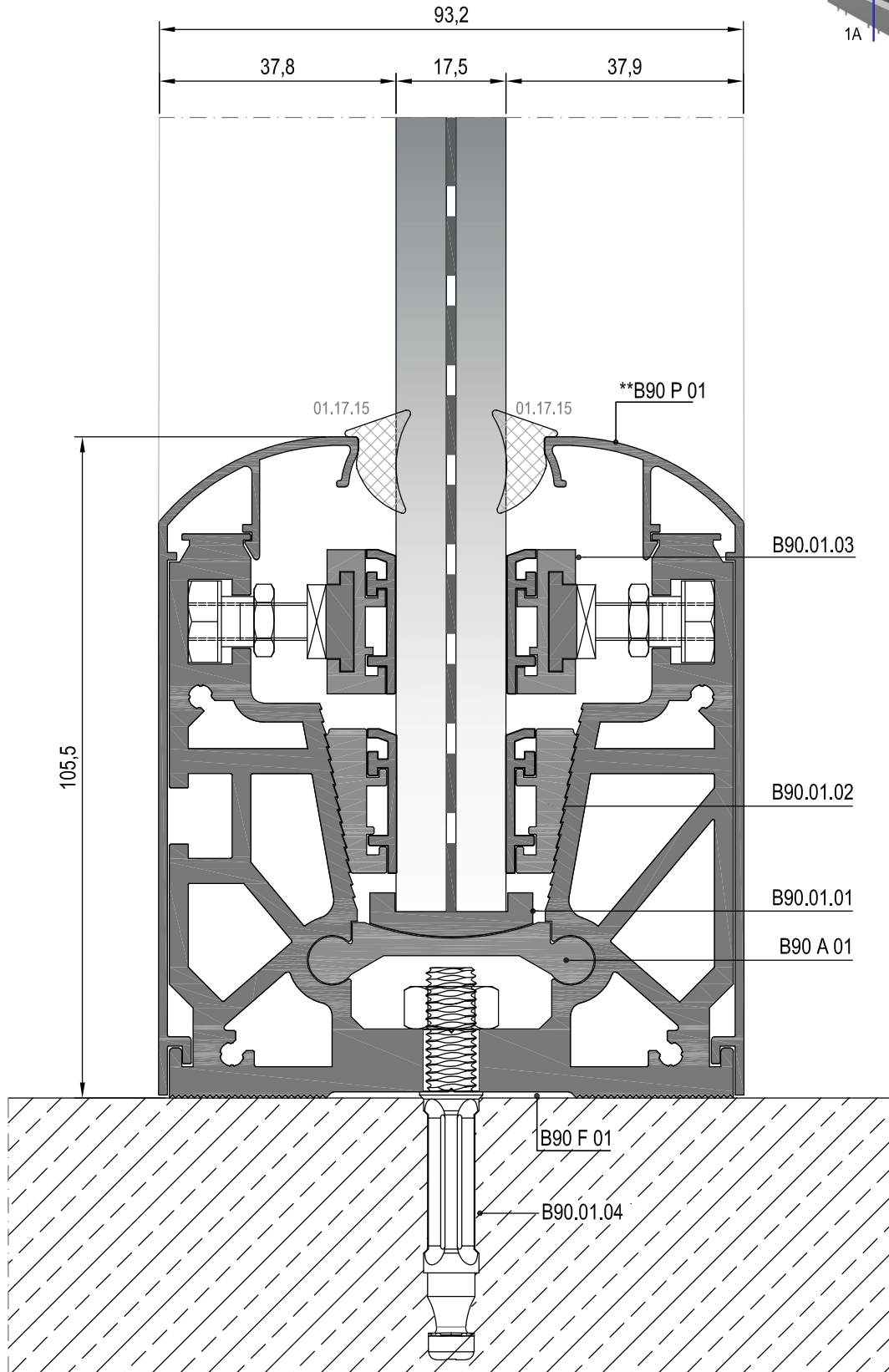
24

25

26



①  
DEYAYI  
DETAIL



1A  
DETYI  
DETAIL

14

15

16

17

18

19

20

21

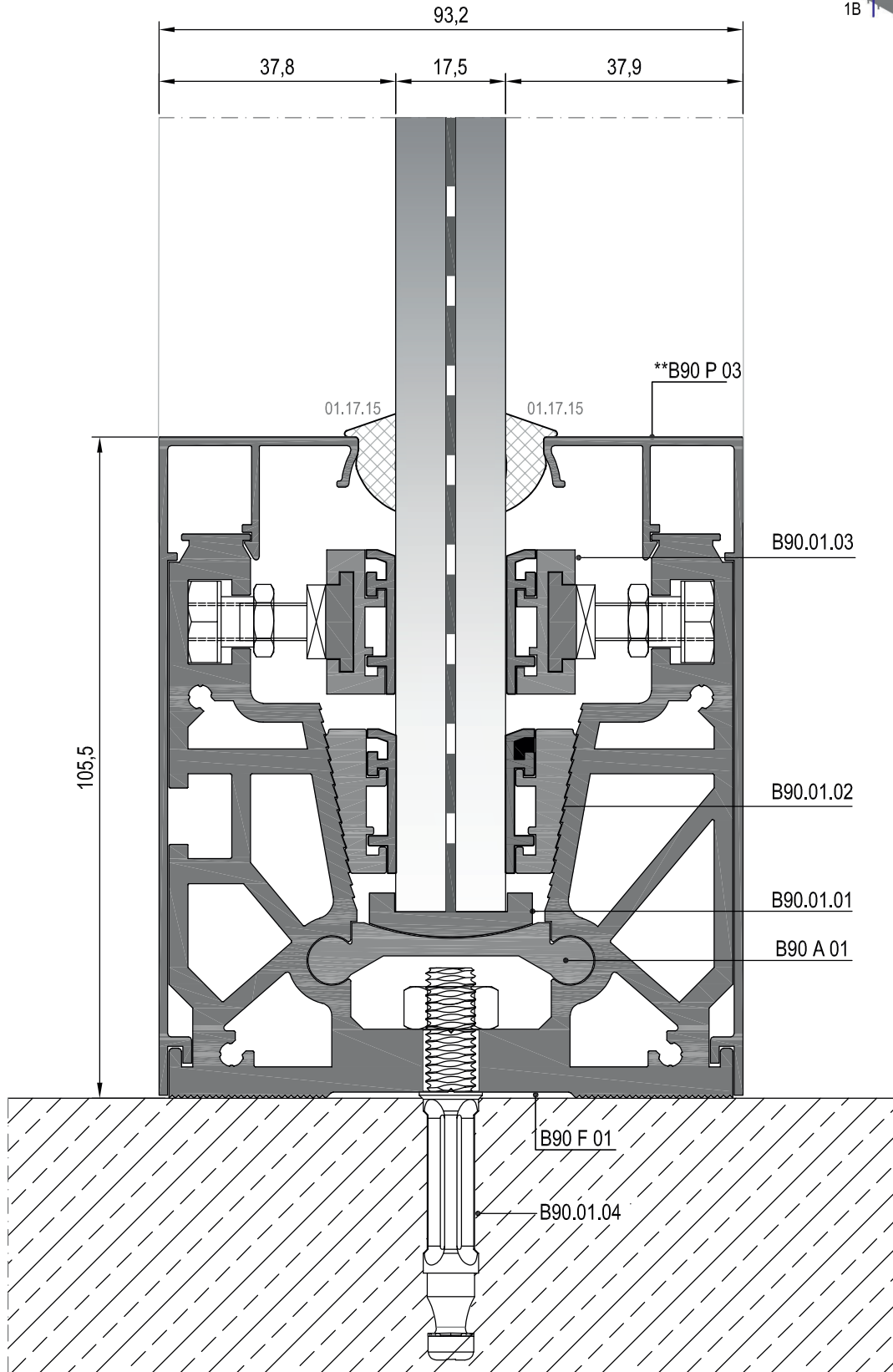
22

23

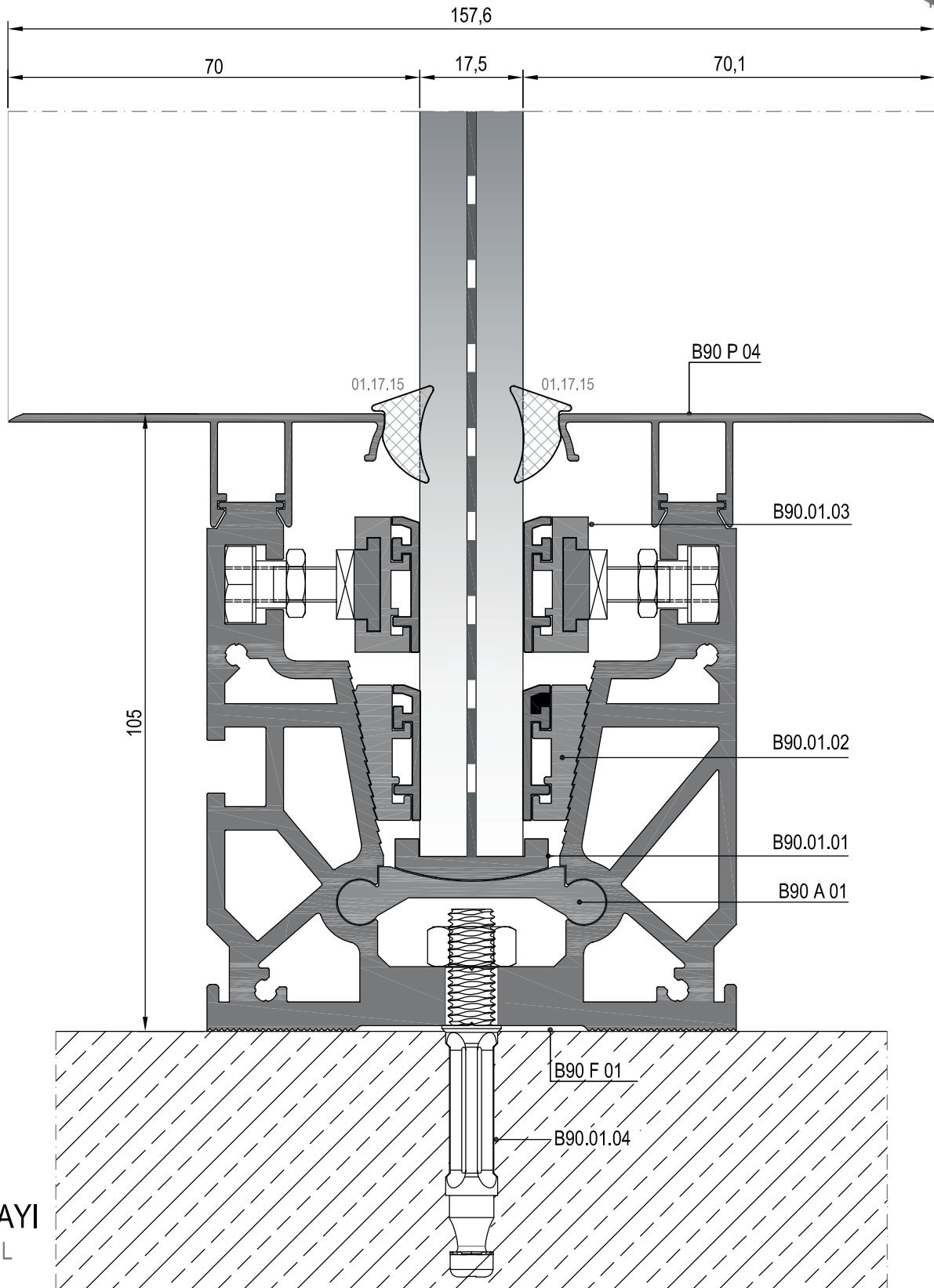
24

25

26



1B DETAYI  
DETAIL



1C DETAYI  
DETAIL

14

15

16

17

18

19

20

21

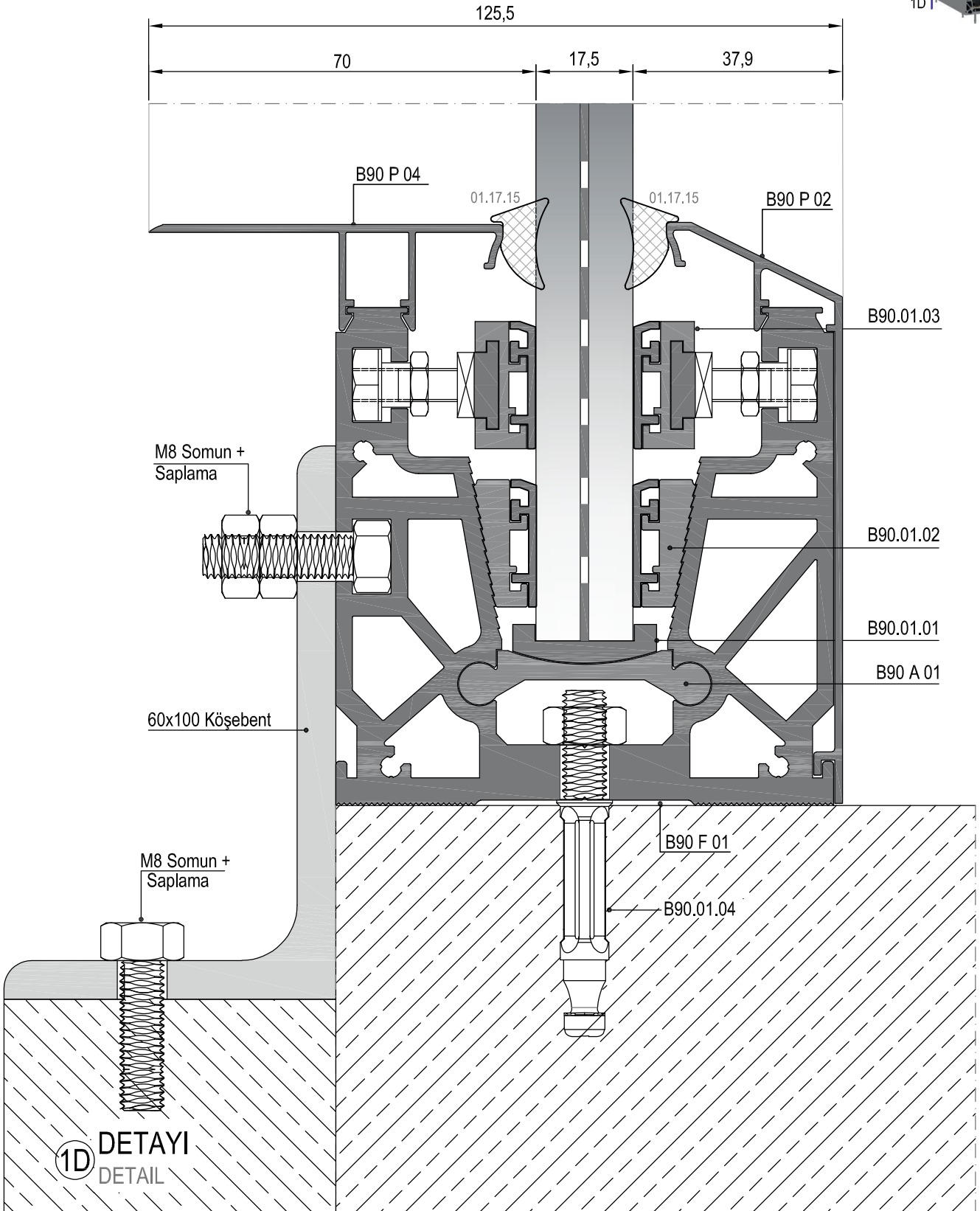
22

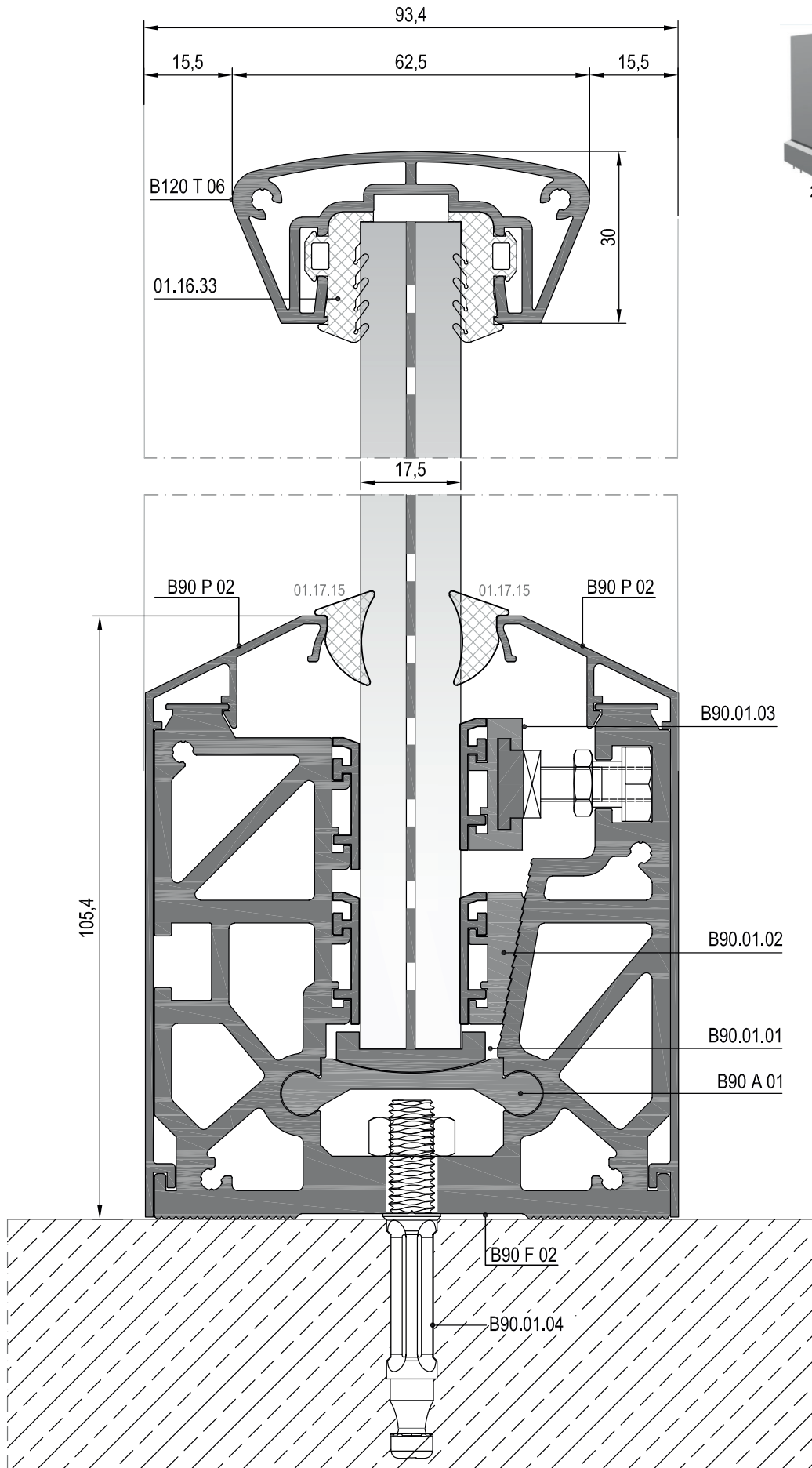
23

24

25

26





② DETAYI  
DETAIL

14

15

16

17

18

19

20

21

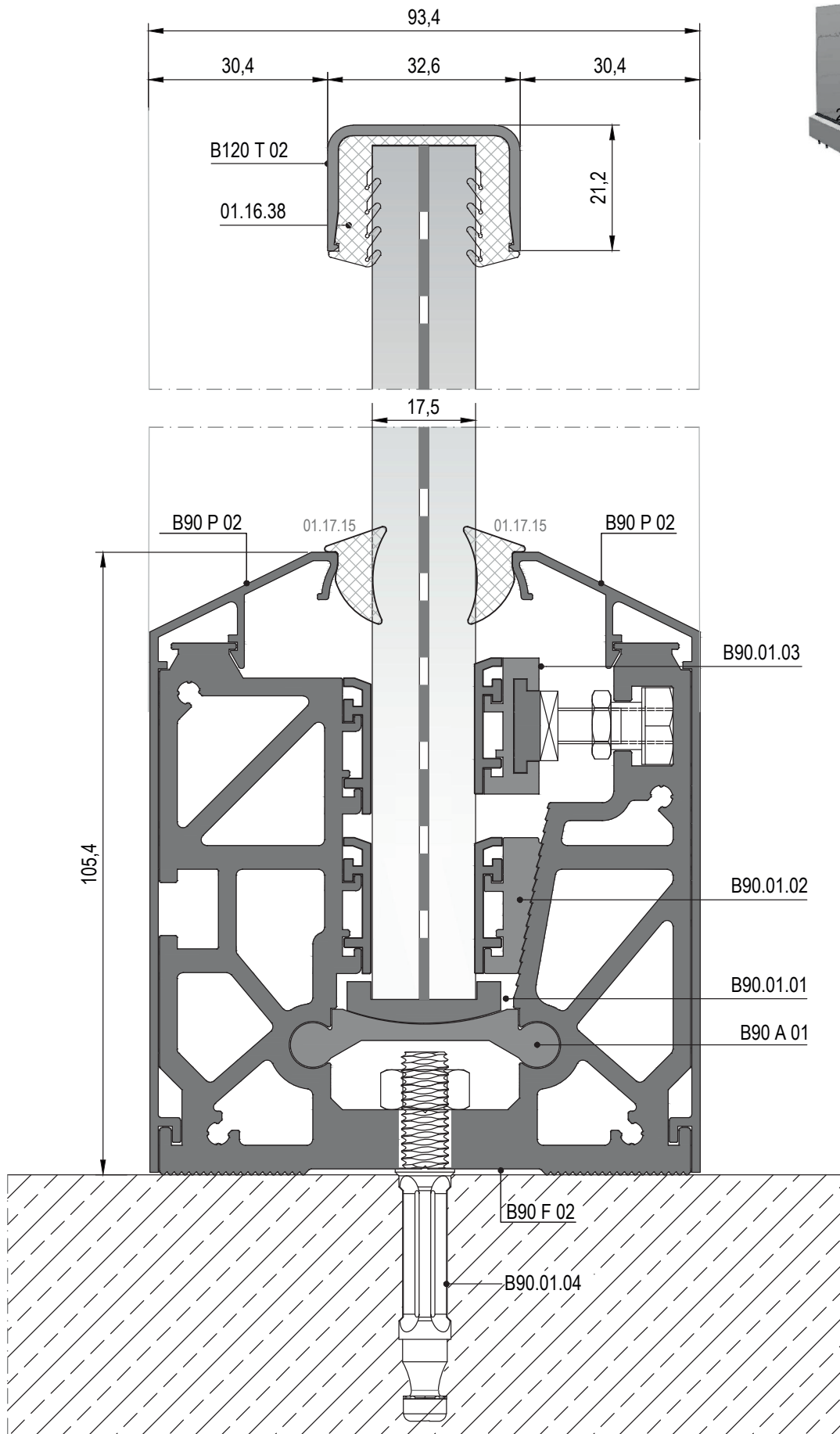
22

23

24

25

26



2A

DETAYI  
DETAIL



# MİMARİ KATALOG

## ARCHITECTURAL CATALOGUE

Alüminyum Kapı Pencere ve Giydirme Cephe Sistemleri  
Aluminium Window Doors and Facade Systems

# RB90

AKSESUARLAR

ACCESSORIES

14

15

16

17

18

19

20

21

22

23

24

25

26

14

15

16

17

18

19

20

21


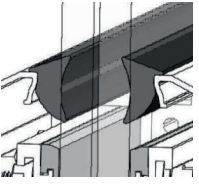
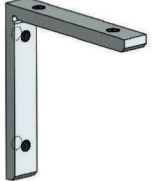
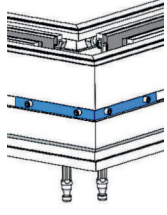

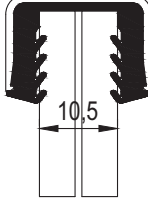
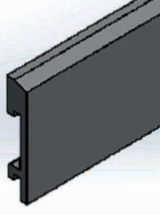

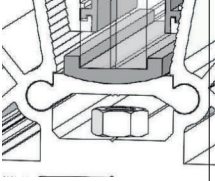
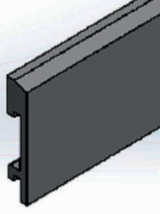
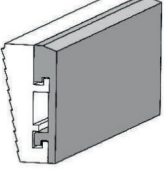
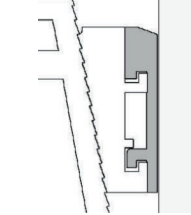
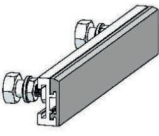
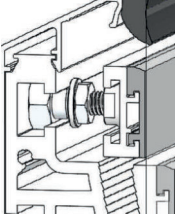
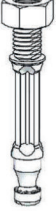
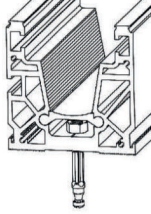
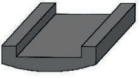
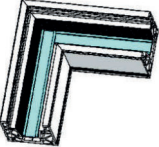
22

23

24

25

26

	<p><b>01.17.15</b> İÇ CAM FİTİLİ INSIDE GLAZING GASKET  Malzeme / Material : EPDM Ağırlık / Weight : 118 gr/m Paket / Package: 127 m / 15 kg</p>			<p><b>B90.01.06</b> KÖŞE BAĞLANTI TAKOZU CORNER JOINT  Malzeme / Material: ÇELİK / STEEL</p>	
	<p><b>01.16.38</b> CAM FİTİLİ GLAZING GASKET  Malzeme / Material : EPDM Ağırlık / Weight : 370 gr/m Paket / Package: 40m / 15 kg</p>			<p><b>B120.01.03</b> CAM DESTEK TAKOZU 150mm GLASS SUPPORT 150mm  Malzeme / Material : PVC</p>	
	<p><b>B90.01.01</b> CAM DESTEK TAKOZU GLASS SUPPORT  Malzeme / Material : PVC Paket / Package: 40 adet / Koli</p>			<p><b>B120.01.04</b> CAM DESTEK TAKOZU 300mm GLASS SUPPORT 150mm  Malzeme / Material : PVC</p>	
	<p><b>B90.01.02</b> DİKEY SIKIŞTIRMA GRUBU VERTICAL PRESSING GROUP  Malzeme / Material :Aluminium+ PVC Paket / Package: 60 adet / Koli</p>				
	<p><b>B90.01.03</b> YATAY SIKIŞTIRMA GRUBU HORIZONTAL PRESSING GROUP  Malzeme / Material :Aluminium+ PVC Paket / Package: 40 adet / Koli</p>				
	<p><b>B90.01.04</b> M8 DÜBEL + SOMUN M8 DUBEL + NUT  Malzeme / Material : ÇELİK / STEEL</p>				
	<p><b>B90.01.05</b> CAM DESTEK TAKOZU (KÖŞE İÇİN 172mm) GLASS SUPPORT (FOR CORNER 172mm)  Malzeme / Material : PVC</p>				

# MİMARİ KATALOG ARCHITECTURAL CATALOGUE

Alüminyum Kapı Pencere ve Giydirme Cephe Sistemleri  
Aluminium Window Doors and Facade Systems

# RB90

İMALAT DETAYLARI

FABRICATION DETAILS

14

15

16

17

18

19

20

21

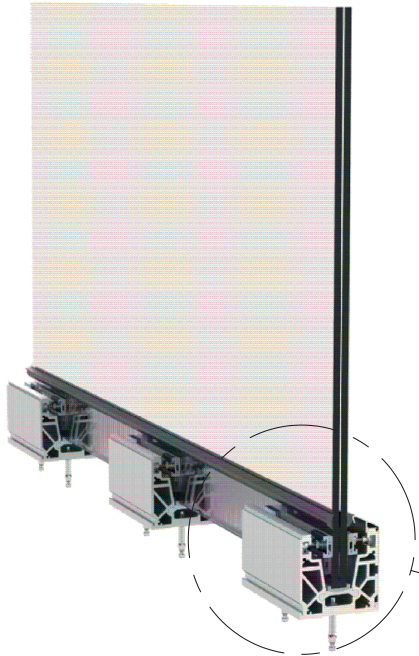
22

23

24

25

26

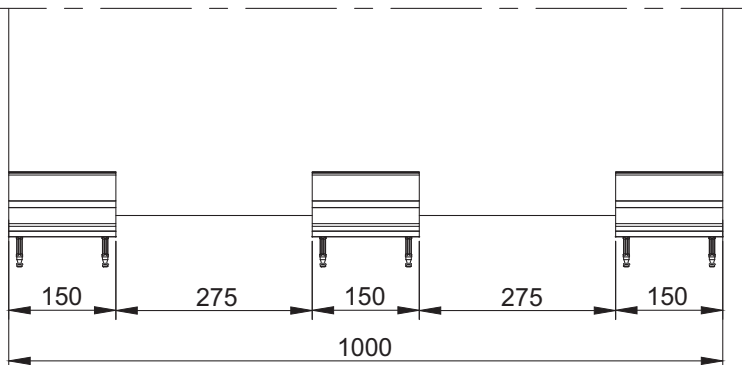
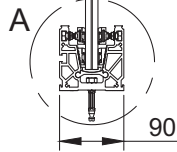
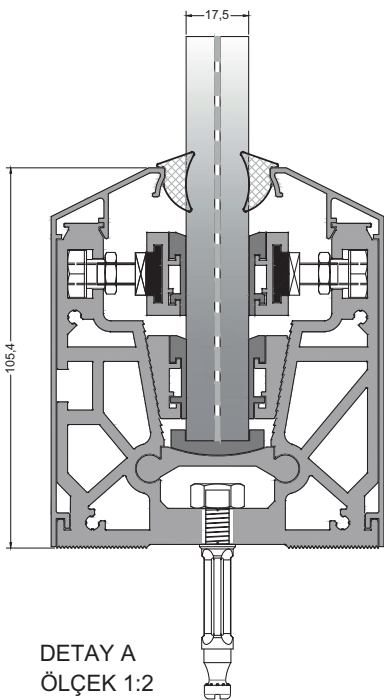
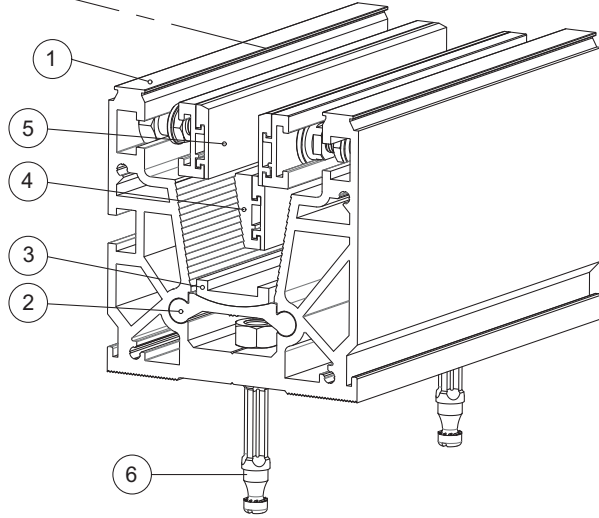


TİP-1 SET  
TYPE-1 KIT

	KOD CODE	ÖLÇÜ MEASURE	TANIM DESCRIPTION	ADET NUMBER
1	B90-01-M01	15 cm	90'LİK ANA TAŞIYICI MULLION	3
2	B90-01-M02	15 cm	CAM DESTEK PROFİLİ GLASS SUPPORT PROFILE	3
3	B90-01-01	-	CAM ALTI TAKOZU GLASS SUPPORT	3
4	B90-01-02	-	DİKEY SIKIŞTIRMA GRUBU VERTICAL PRESSING GROUP	6
5	B90-01-03	-	YATAY SIKIŞTIRMA GRUBU HORIZONTAL PRESSING GROUP	6
6	B90-01-04	-	M8 DÜBEL + M8 ALTIKÖŞE SOMUN M8 DUBEL + M8 HEXAGON NUT	6

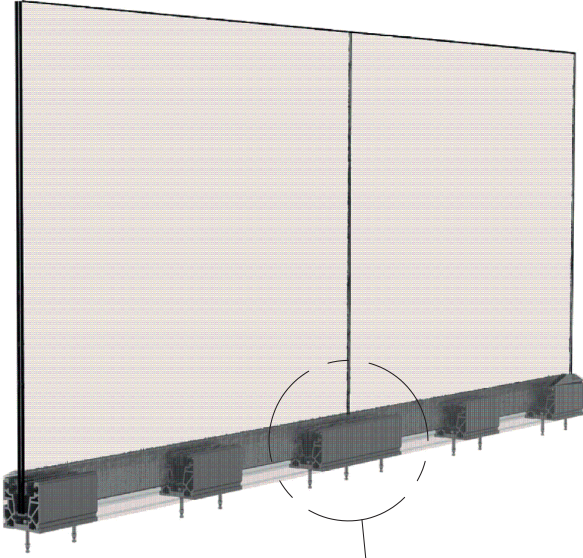
\*\*\*Cam ve kapaklar sete dahil edilmemiştir.  
Glass and covers are not included in the set.

TİP-1

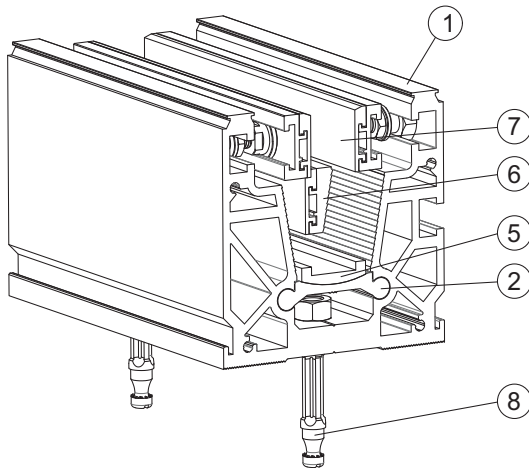
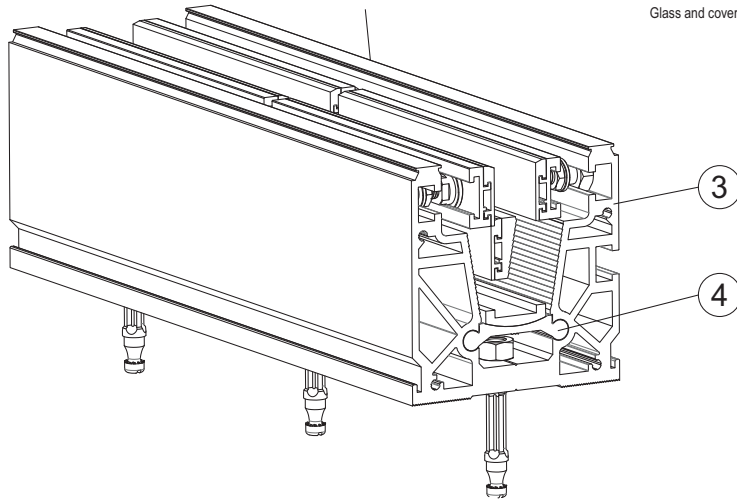


\*\*\*Uygulama Ölçüleri.  
Application Measures.

TİP-2 SET  
TYPE-2 KIT

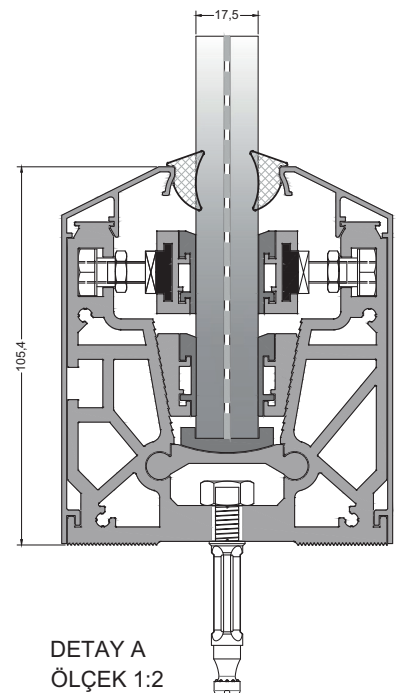


TİP-2



	KOD CODE	ÖLÇÜ MEASURE	TANIM DESCRIPTION	ADET NUMBER
1	B90-01-M01	15 cm	90'LİK ANA TAŞIYICI MULLION	4
2	B90-01-M02	15 cm	CAM DESTEK PROFİLİ GLASS SUPPORT PROFILE	4
3	B90-01-M03	30 cm	90'LİK ANA TAŞIYICI MULLION	1
4	B90-01-M04	30 cm	CAM DESTEK PROFİLİ GLASS SUPPORT PROFILE	1
5	B90-01-01	-	CAM ALTI TAKOZU GLASS SUPPORT	6
6	B90-01-02	-	DİKEY SIKIŞTIRMA GRUBU VERTICAL PRESSING GROUP	12
7	B90-01-03	-	YATAY SIKIŞTIRMA GRUBU HORIZONTAL PRESSING GROUP	12
8	B90-01-04	-	M8 DÜBEL + M8 ALTİKÖŞE SOMUN M8 DUBEL + M8 HEXAGON NUT	11

\*\*\*Cam ve kapaklar sete dahil edilmemiştir.  
Glass and covers are not included in the set.



14

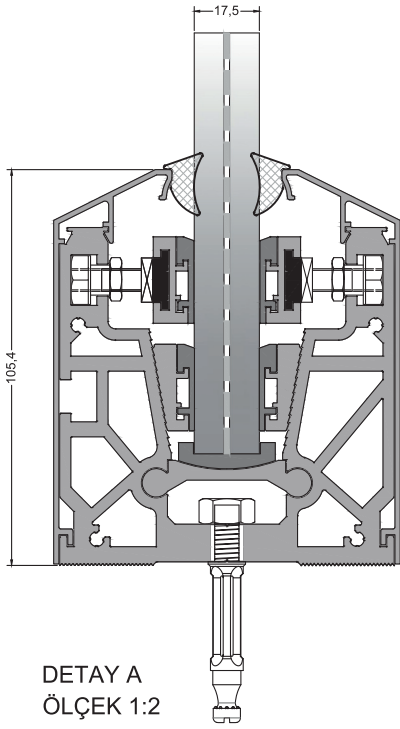
15

16

17

18

19



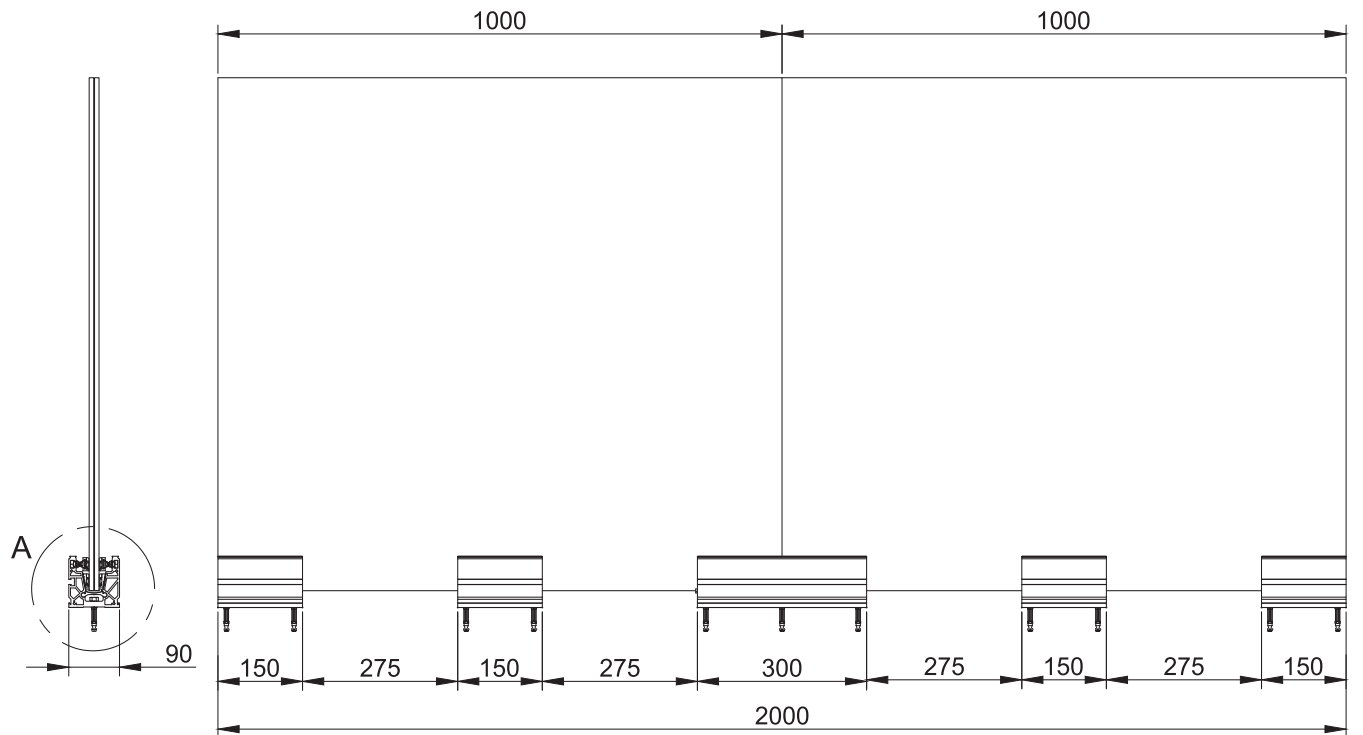
20

21

22

23

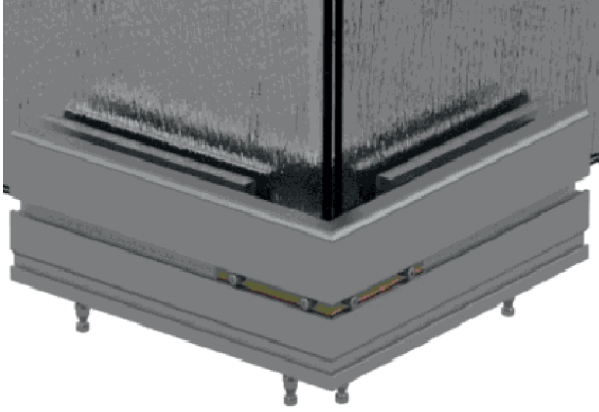
24



25

26

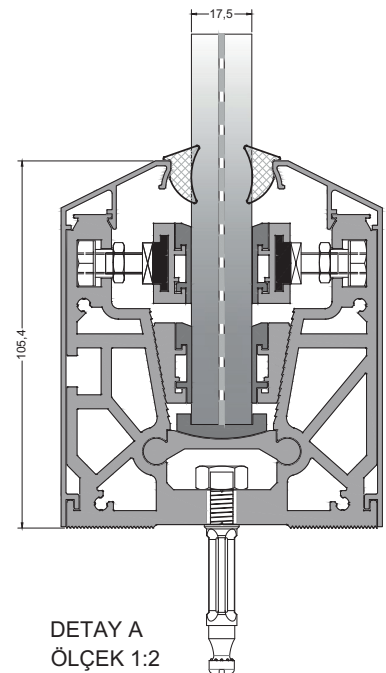
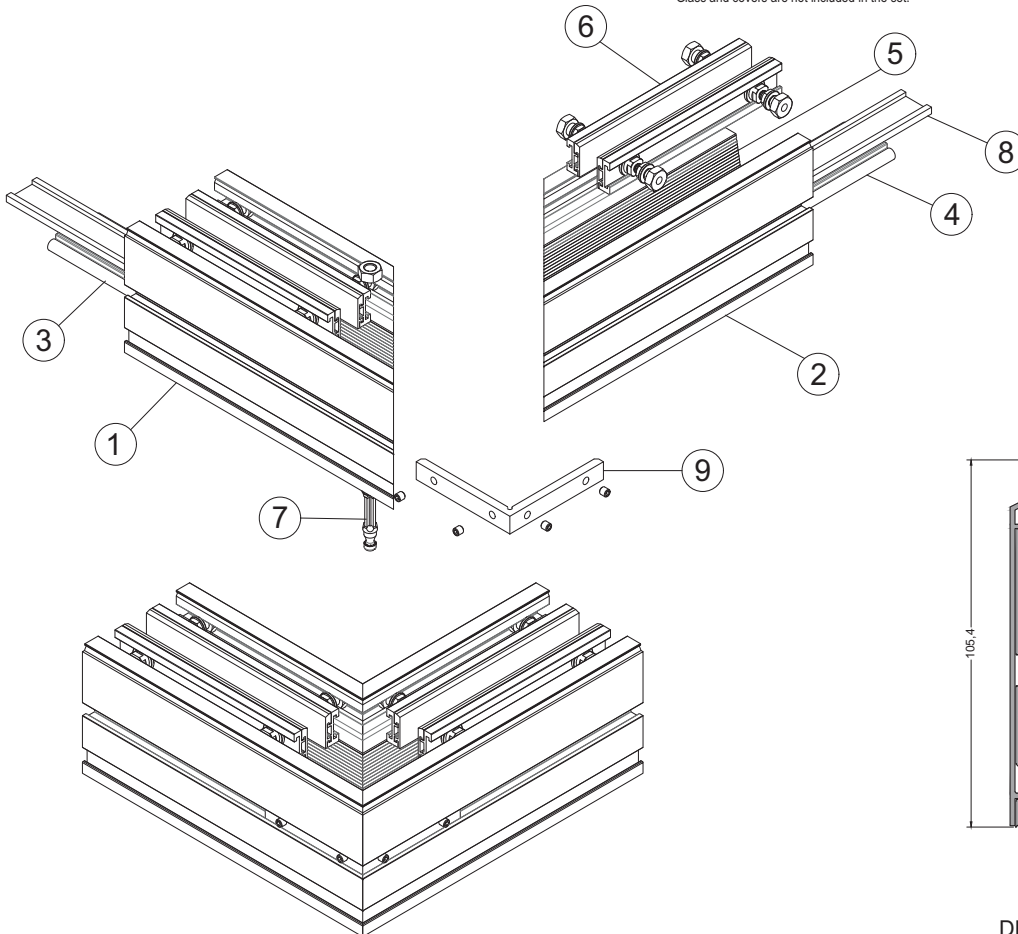
TİP-3 SET  
TYPE-3 KIT



TİP-3

	KOD CODE	ÖLÇÜ MEASURE	TANIM DESCRIPTION	ADET NUMBER
1	B90-01-M05	23 cm	90'LİK ANA TAŞIYICI SOL (90°) MULLION (LEFT)	1
2	B90-01-M06	23 cm	90'LİK ANA TAŞIYICI SAĞ (90°) MULLION (RIGHT)	1
3	B90-01-M07	23 cm	CAM DESTEK PROFİLİ SOL (90°) GLASS SUPPORT PROFILE (LEFT)	1
4	B90-01-M08	23 cm	CAM DESTEK PROFİLİ SAĞ (90°) GLASS SUPPORT PROFILE (RIGHT)	1
5	B90-01-02	-	DIKEY SIKIŞTIRMA GRUBU VERTICAL PRESSING GROUP	4
6	B90-01-03	-	YATAY SIKIŞTIRMA GRUBU HORIZONTAL PRESSING GROUP	4
7	B90-01-04	-	M8 DÜBEL + M8 ALTİKÖŞE SOMUN M8 DUBEL + M8 HEXAGON NUT	4
8	B90-01-05	-	CAM ALTI TAKOZU GLASS SUPPORT	2
9	B90-01-06	-	KÖŞE ÇAVUŞU CORNER CONNECTION PART	1

\*\*\*Cam ve kapaklar sete dahil edilmemiştir.  
Glass and covers are not included in the set.



14

15

16

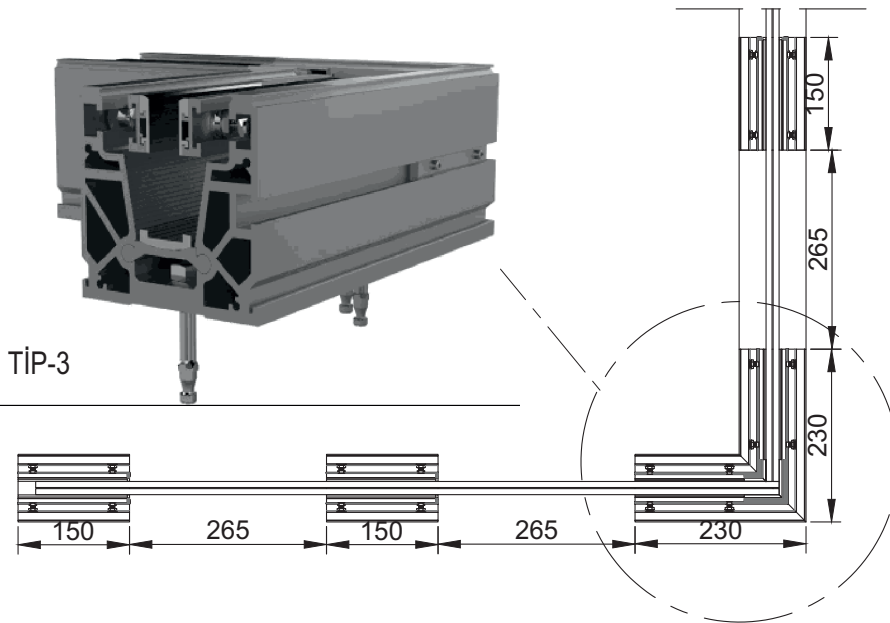
17



18

19

20



21

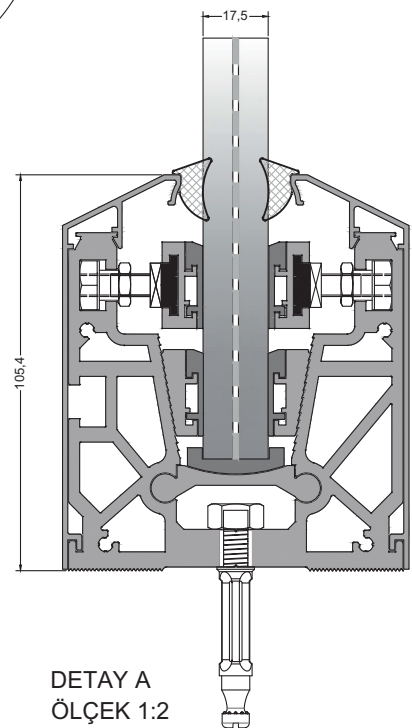
22

23

24

25

26

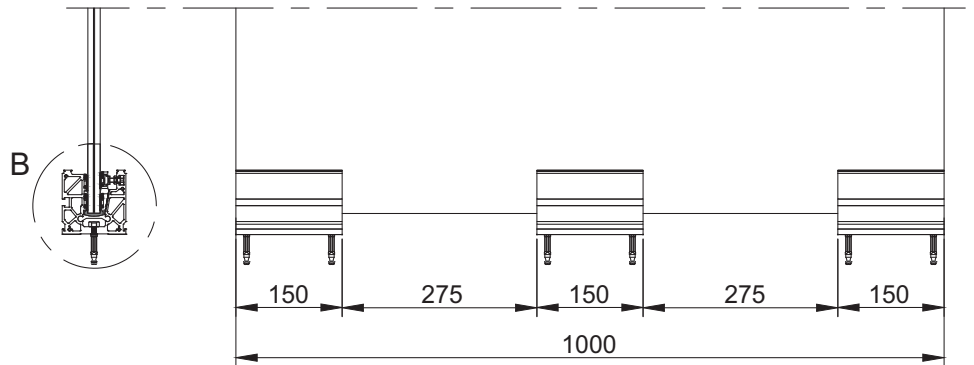
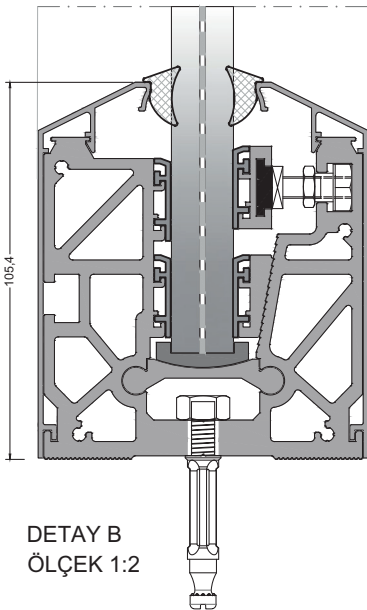
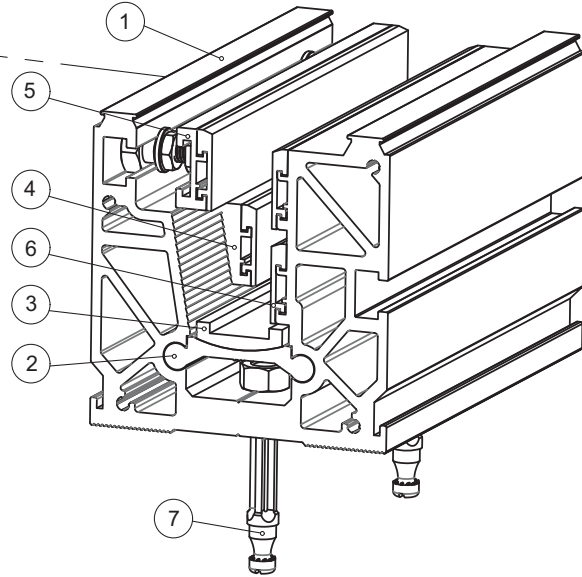
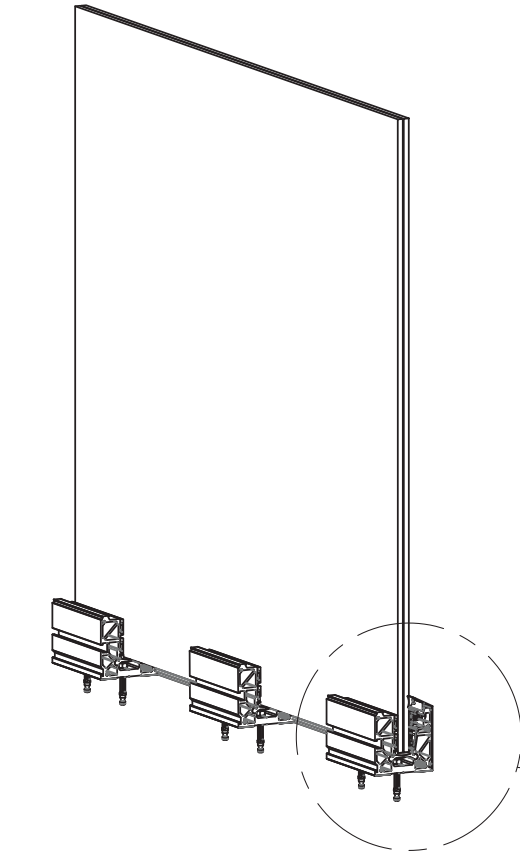




TİP-1 SET  
TYPE-1 KIT

	KOD CODE	ÖLÇÜ MEASURE	TANIM DESCRIPTION	ADET NUMBER
1	B90-01-M09	15 cm	90'LİK ANA TAŞIYICI MULLION	3
2	B90-01-M02	15 cm	CAM DESTEK PROFİLİ GLASS SUPPORT PROFILE	3
3	B90-01-01	-	CAM ALTI TAKOZU GLASS SUPPORT	3
4	B90-01-02	-	DİKEY SIKIŞTIRMA GRUBU VERTICAL PRESSING GROUP	3
5	B90-01-03	-	YATAY SIKIŞTIRMA GRUBU HORIZONTAL PRESSING GROUP	3
6	B120-01-03	15 cm	CAM DESTEK TAKOZU(150mm) GLASS SUPPORT	6
7	B90-01-04	-	M8 DÜBEL + M8 ALTİKÖŞE SOMUN M8 DUBEL + M8 HEXAGON NUT	6

\*\*\*Cam ve kapaklar sete dahil edilmemiştir.  
Glass and covers are not included in the set.



\*\*\*Uygulama Ölçüleri.  
Application Measures.

14

15

16

17

18

19

20

21

22

23

24

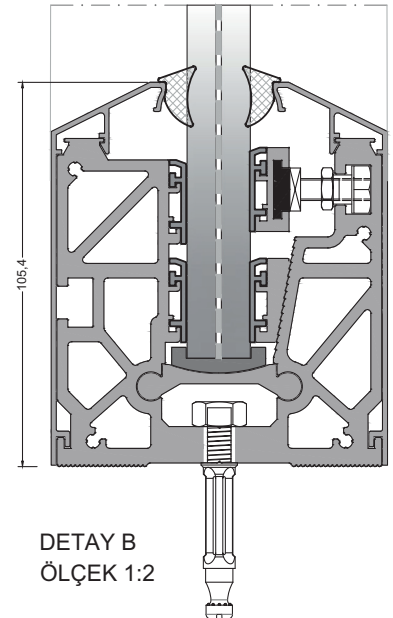
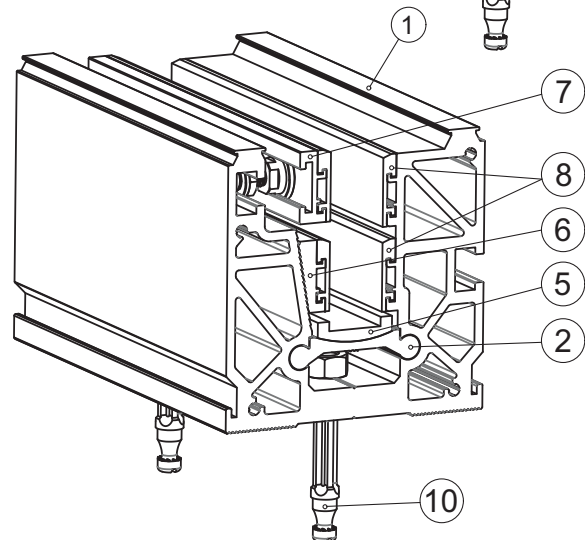
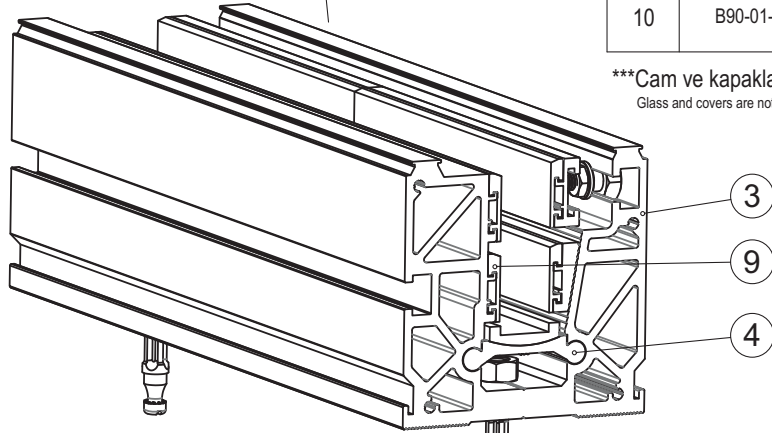
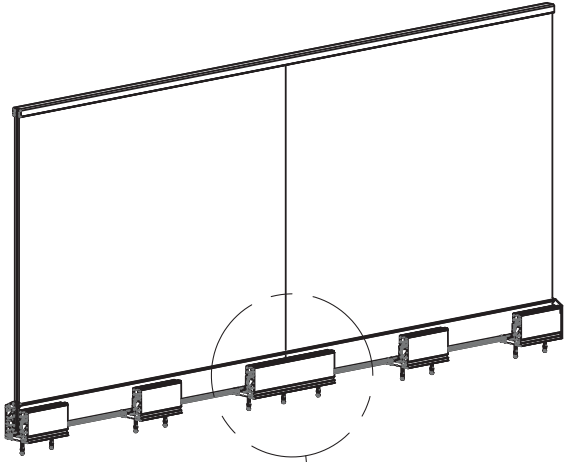
25

26

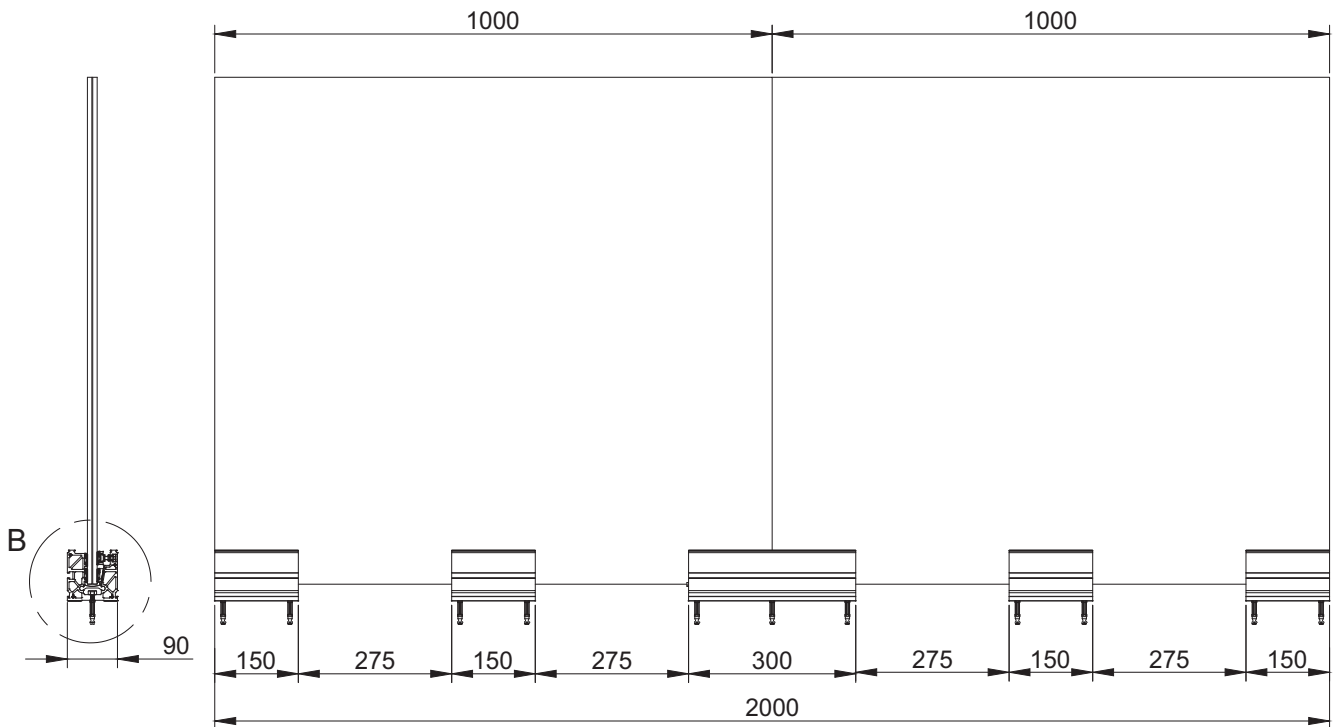
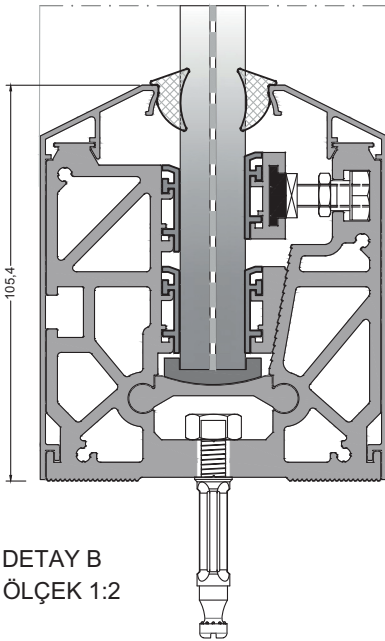
TİP-2 SET  
TYPE-2 KIT

	KOD CODE	ÖLÇÜ MEASURE	TANIM DESCRIPTION	ADET NUMBER
1	B90-01-M09	15 cm	90'LİK ANA TAŞIYICI MULLION	4
2	B90-01-M02	15 cm	CAM DESTEK PROFİLİ GLASS SUPPORT PROFILE	4
3	B90-01-M10	30 cm	90'LİK ANA TAŞIYICI MULLION	1
4	B90-01-M04	30 cm	CAM DESTEK PROFİLİ GLASS SUPPORT PROFILE	1
5	B90-01-01	-	CAM ALTI TAKOZU GLASS SUPPORT	6
6	B90-01-02	-	DİKEY SIKIŞTIRMA GRUBU VERTICAL PRESSING GROUP	6
7	B90-01-03	-	YATAY SIKIŞTIRMA GRUBU HORIZONTAL PRESSING GROUP	6
8	B120-01-03	-	CAM DESTEK TAKOZU(150mm) GLASS SUPPORT	8
9	B120-01-04	-	CAM DESTEK TAKOZU(300mm) GLASS SUPPORT	2
10	B90-01-04	-	M8 DÜBEL + M8 ALTİKÖŞE SOMUN M8 DUBEL + M8 HEXAGON NUT	11

\*\*\*Cam ve kapaklar sete dahil edilmemiştir.  
Glass and covers are not included in the set.



DETAY B  
ÖLÇEK 1:2



14

15

16

17

18

19

20

21

22

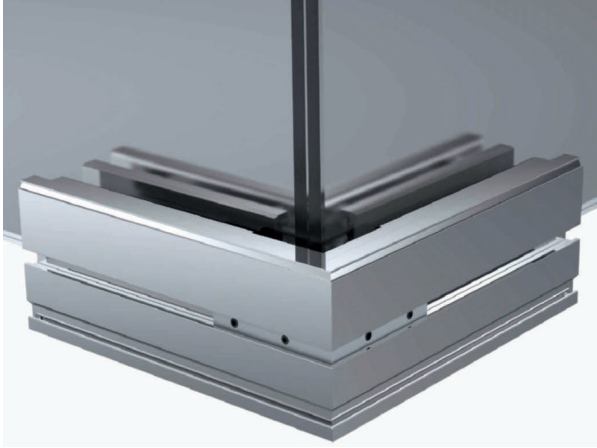
23

24

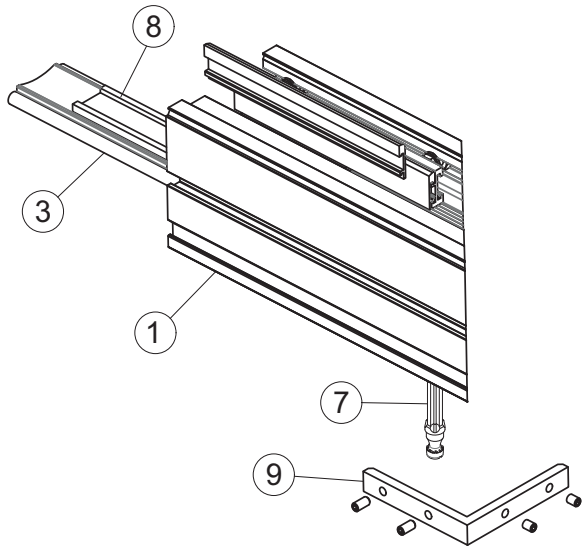
25

26

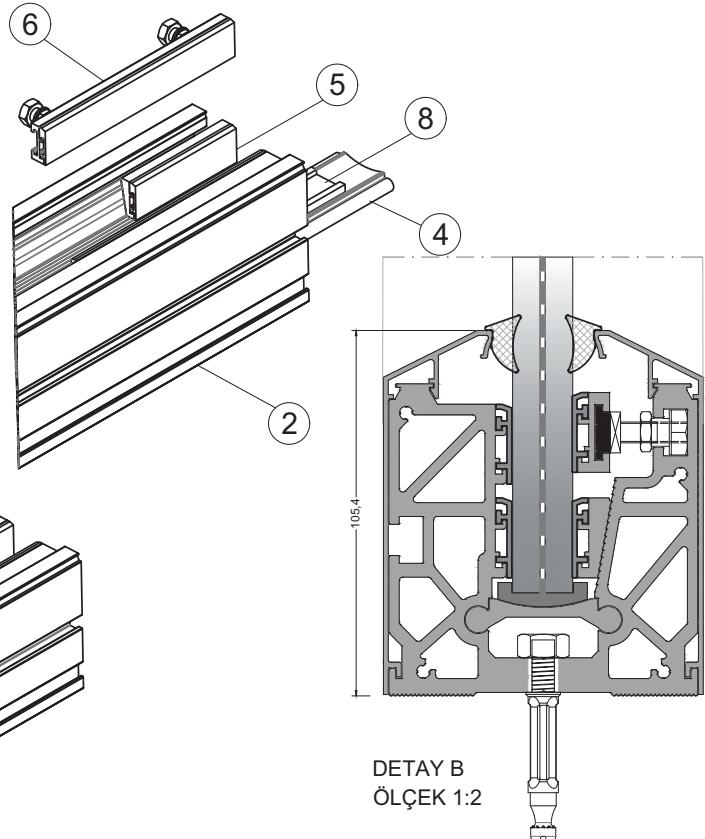
TİP-3 SET  
TYPE-3 KIT

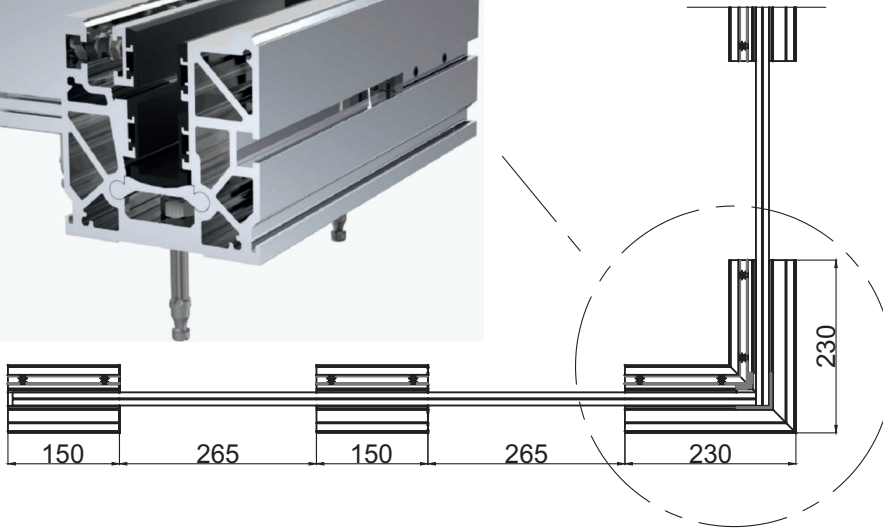
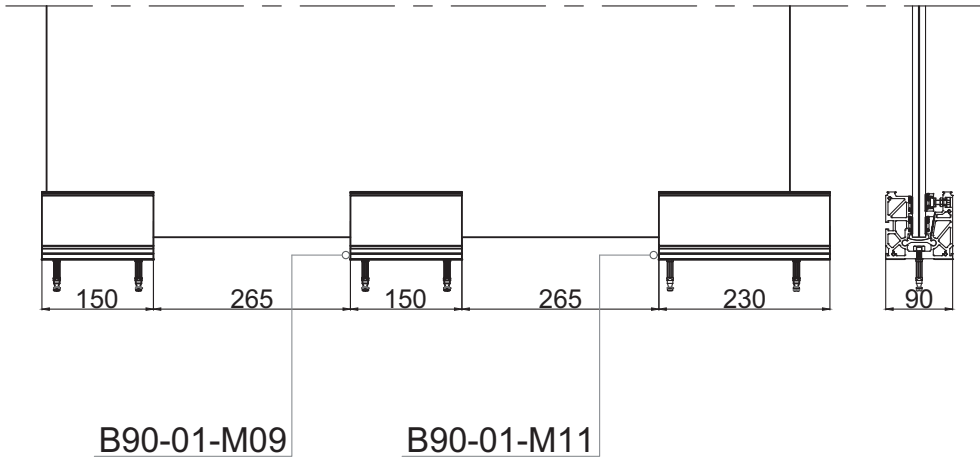


	KOD CODE	ÖLÇÜ MEASURE	TANIM DESCRIPTION	ADET NUMBER
1	B90-01-M011	23 cm	90'LİK ANA TAŞIYICI SOL (90°) MULLION (LEFT)	1
2	B90-01-M012	23 cm	90'LİK ANA TAŞIYICI SAĞ (90°) MULLION (RIGHT)	1
3	B90-01-M07	23 cm	CAM DESTEK PROFİLİ SOL (90°) GLASS SUPPORT PROFILE (LEFT)	1
4	B90-01-M08	23 cm	CAM DESTEK PROFİLİ SAĞ (90°) GLASS SUPPORT PROFILE (RIGHT)	1
5	B90-01-02	-	DİKEY SIKIŞTIRMA GRUBU VERTICAL PRESSING GROUP	2
6	B90-01-03	-	YATAY SIKIŞTIRMA GRUBU HORIZONTAL PRESSING GROUP	2
7	B90-01-04	-	M8 DÜBEL + M8 ALTIKÖŞE SOMUN M8 DUBEL + M8 HEXAGON NUT	4
8	B90-01-05	-	CAM ALTI TAKOZU GLASS SUPPORT	2
9	B90-01-06	-	KÖŞE ÇAVUŞU CORNER CONNECTION PART	1
10	B120-01-03	-	SIKIŞTIRMA PARÇASI CORNER CONNECTION PART	4



\*\*\*Cam ve kapaklar sete dahil edilmemiştir.  
Glass and covers are not included in the set.





B90-01-M011

