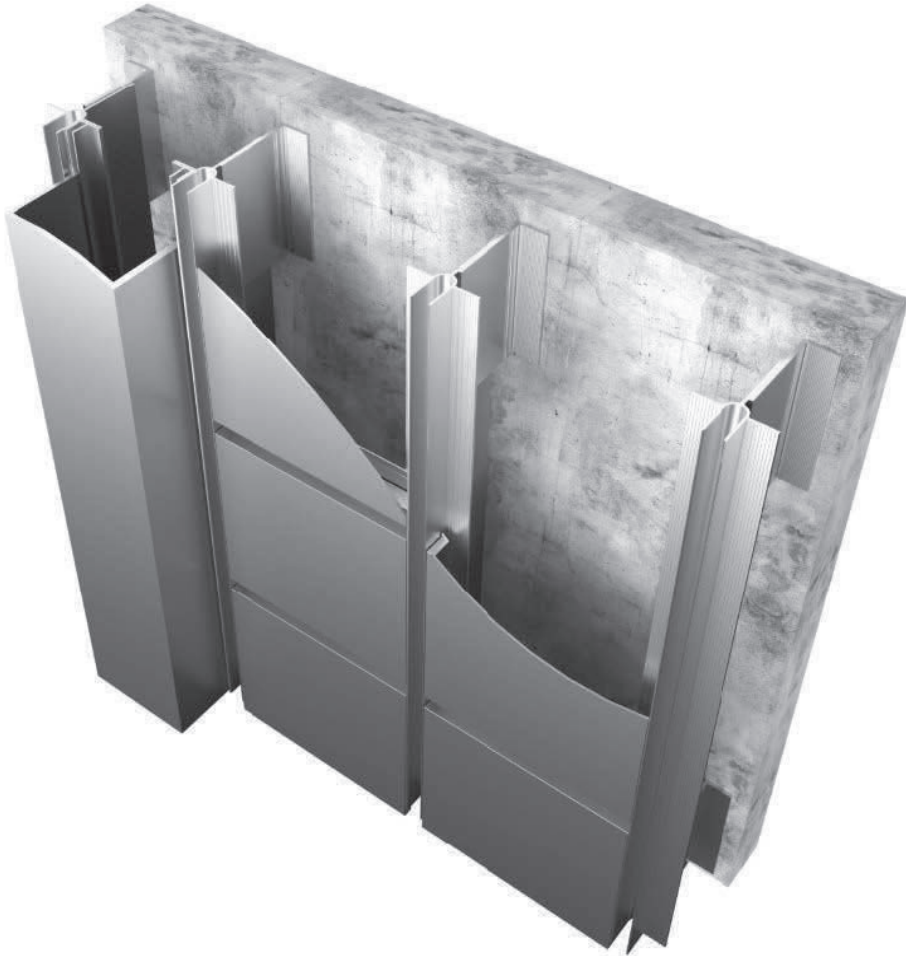


# MİMARİ KATALOG ARCHITECTURAL CATALOGUE

Alüminyum Kapı Pencere ve Giydirme Cephe Sistemleri  
Aluminium Window Doors and Facade Systems



# RTC22



# MİMARİ KATALOG ARCHITECTURAL CATALOGUE

Alüminyum Kapı Pencere ve Giydirme Cephe Sistemleri  
Aluminium Window Doors and Facade Systems

# Rtc22

PROFİLLER

PROFILES

14

15

16

17

18

19

20

21

22

23

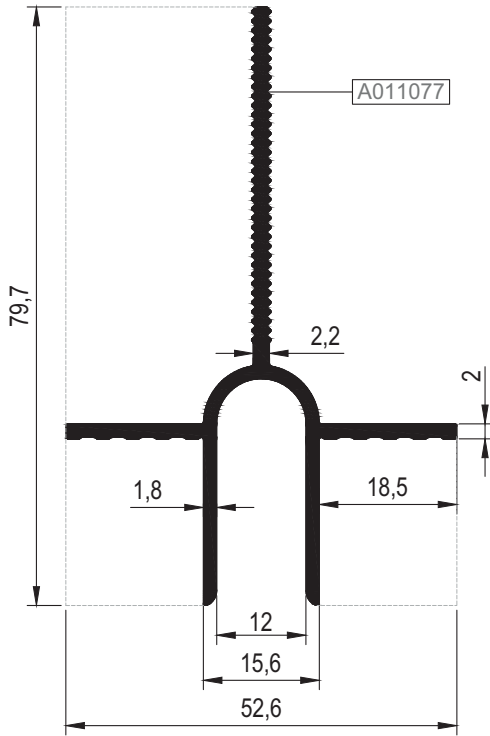
24

25

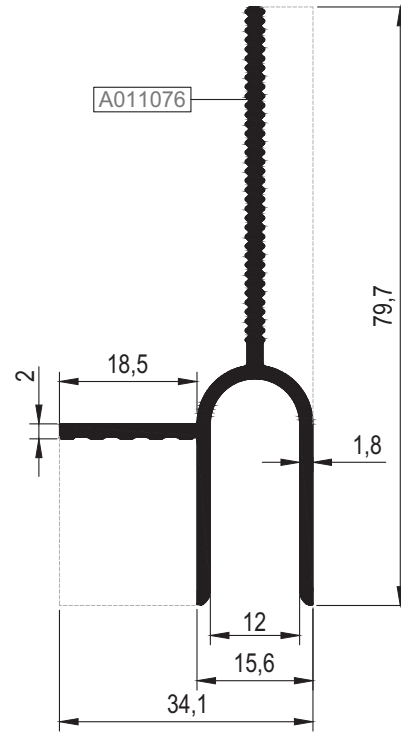
26

KOD / CODE	AĞIRLIK (kg/m) / WEIGHT	J <sub>xx</sub> cm <sup>4</sup>	J <sub>yy</sub> cm <sup>4</sup>	L m	
TC22 M 01	0,813	12,260	2,771	6	
TC22 M 02	0,718	11,938	1,507	6	
TC22 M 05	0,663	9,328	2,495	6	
TC22 M 06	0,216	0,406	0,304	6	
TC22 M 07	0,278	0,503	0,338	6	

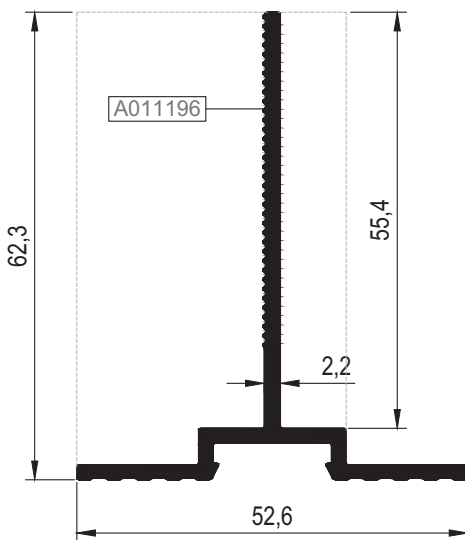
TC22 M 01



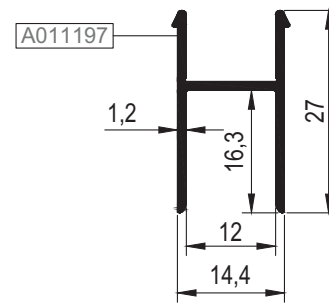
TC22 M 02



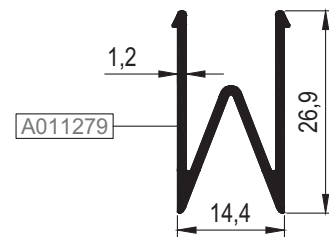
TC22 M 05




TC22 M 06

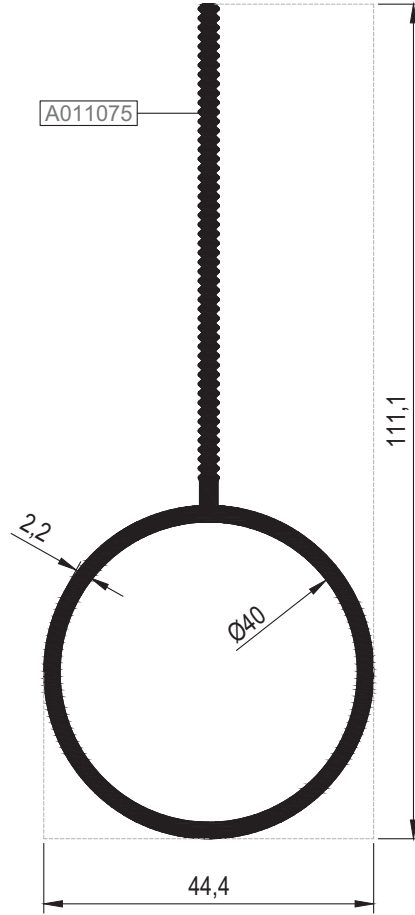


TC22 M 07

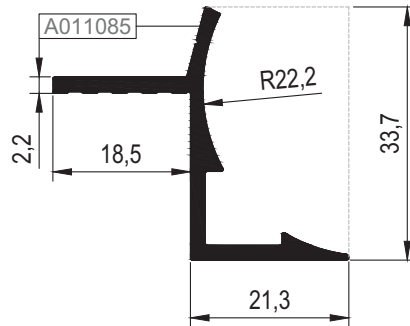



KOD / CODE	AĞIRLIK (kg/m) / WEIGHT	Jxx cm <sup>4</sup>	Jyy cm <sup>4</sup>	L m	
TC22 M 03	1,225	44,280	6,512	6	
TC22 M 04	0,409	1,650	1,006	6	

TC22 M 03

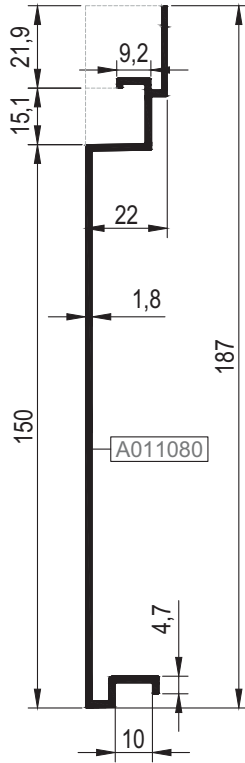


TC22 M 04

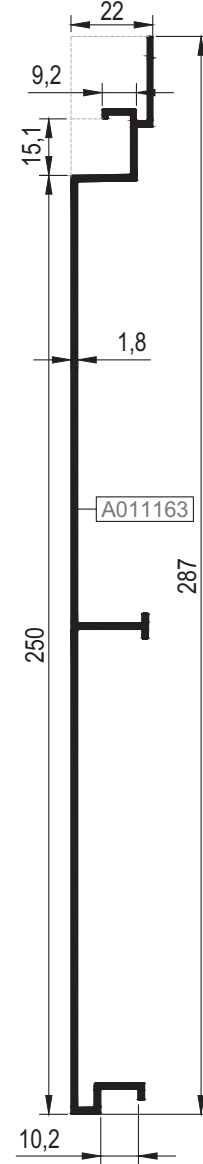


KOD / CODE	AĞIRLIK (kg/m) / WEIGHT	Jxx cm <sup>4</sup>	Jyy cm <sup>4</sup>	L m	
TC22 T 01	1,175	2,406	153,600	6	
TC22 T 02	1,780	3,196	507,850	6	

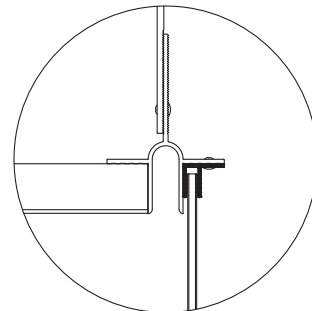
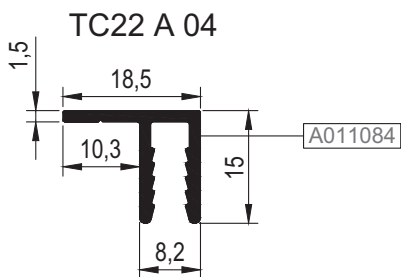
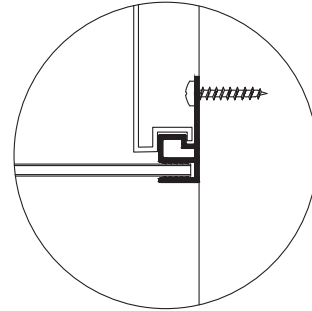
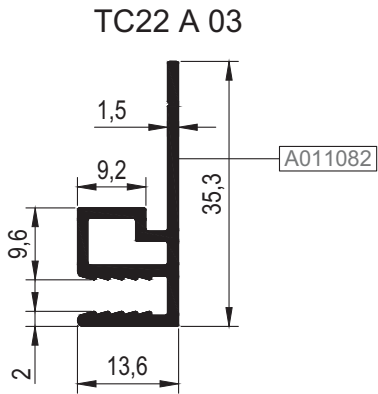
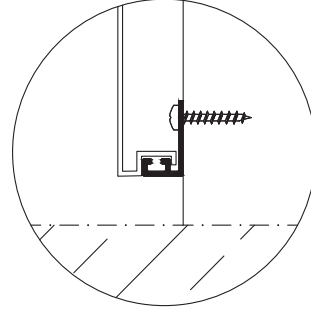
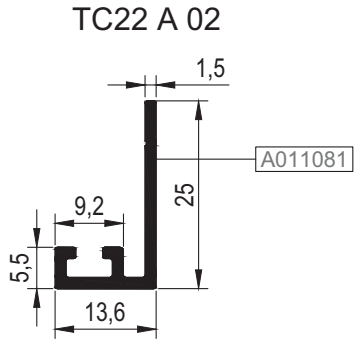
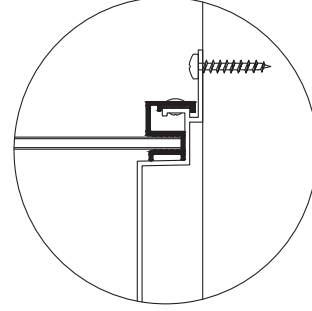
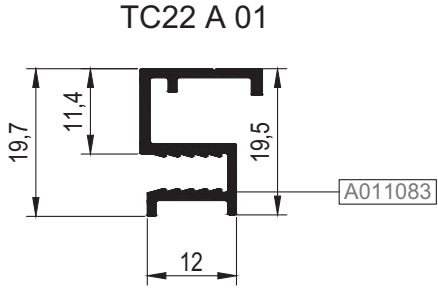
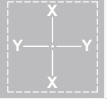
TC22 T 01



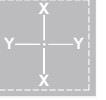
TC22 T 02



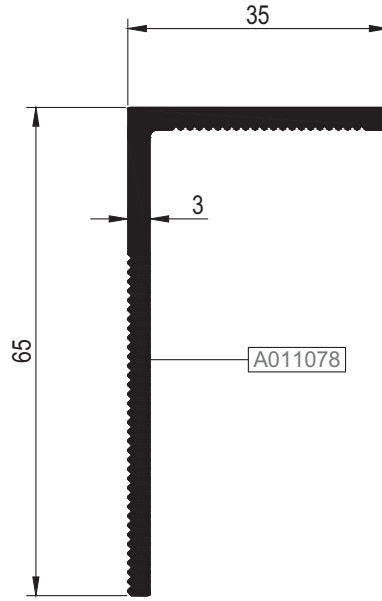
KOD / CODE	AĞIRLIK (kg/m) / WEIGHT	L m	KOD / CODE	AĞIRLIK (kg/m) / WEIGHT	L m
TC22 A 01	0,231	6			
TC22 A 02	0,194	6			
TC22 A 03	0,339	6			
TC22 A 04	0,200	6			



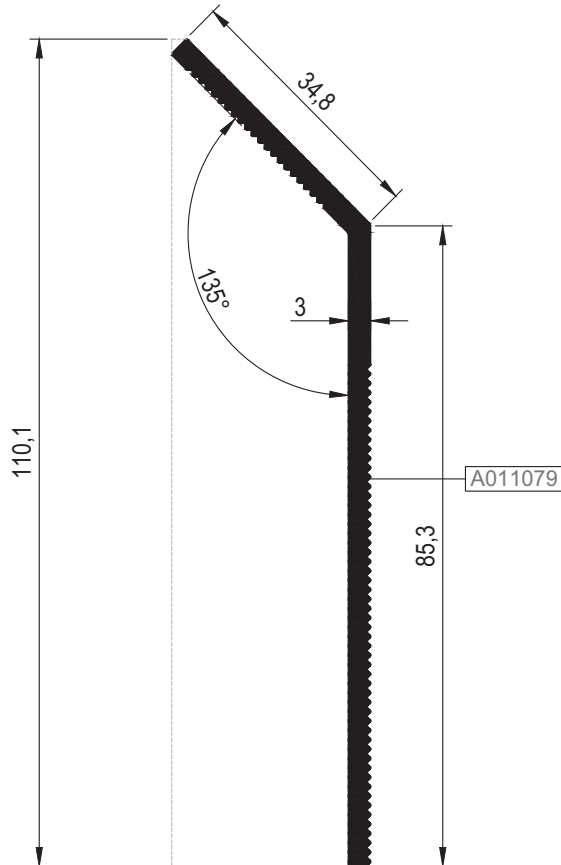
KOD / CODE	AĞIRLIK (kg/m) / WEIGHT	Jxx cm <sup>4</sup>	Jyy cm <sup>4</sup>	L m
TC22 C 01	0,750	12,327	2,651	6
TC22 C 02	0,919	35,515	1,511	6




TC22 C 01



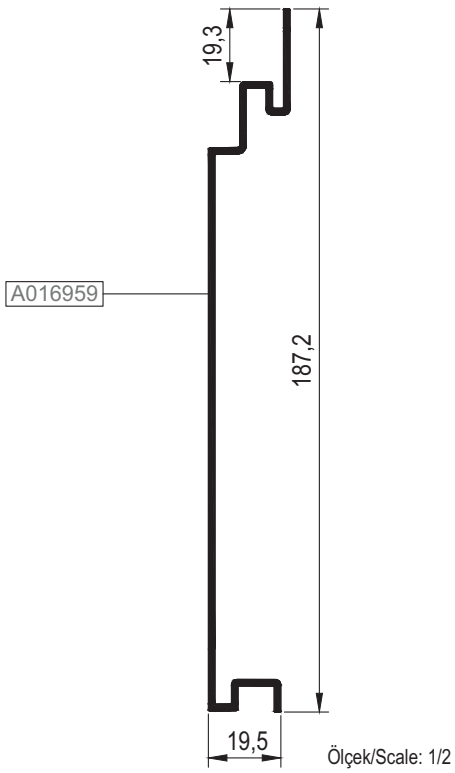
TC22 C 02



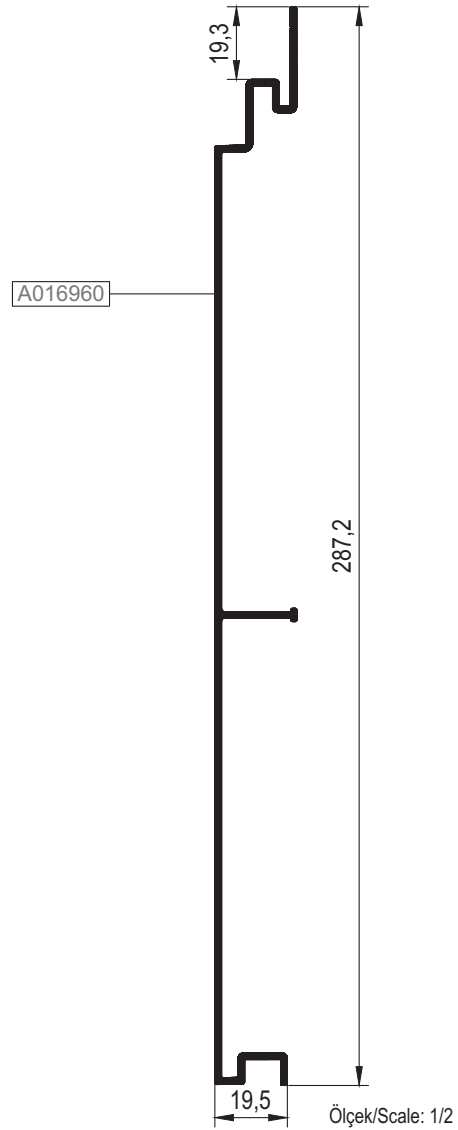


KOD / CODE	AĞIRLIK (kg/m) / WEIGHT	Jxx cm <sup>4</sup>	Jyy cm <sup>4</sup>	L m	
TC22 T 03	1,221	----	----	6	
TC22 T 04	1,800	----	----	6	

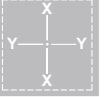
TC22 T 03



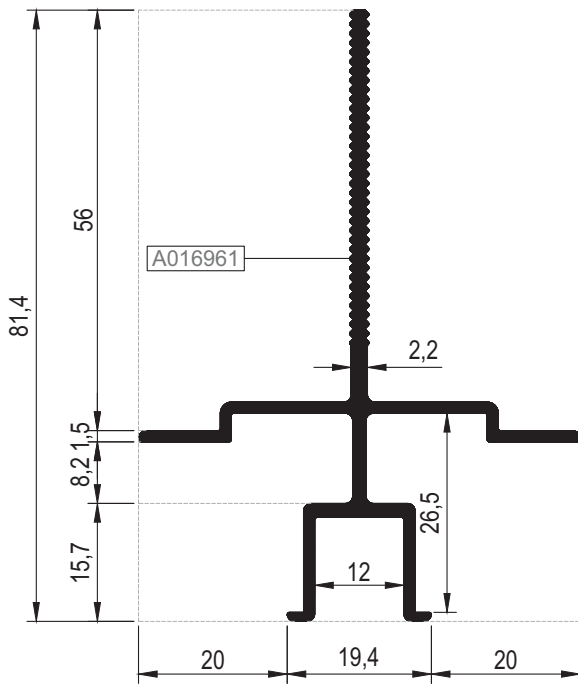
TC22 T 04



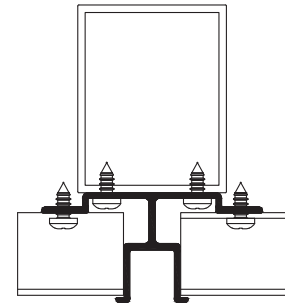
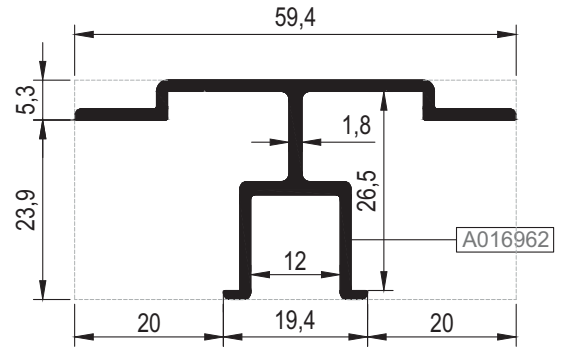
KOD / CODE	AĞIRLIK (kg/m) / WEIGHT	Jxx cm <sup>4</sup>	Jyy cm <sup>4</sup>	L m
TC22 M 08	0,838	----	----	6
TC22 M 09	0,526	----	----	6



TC22 M 08

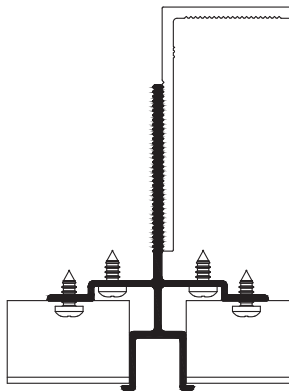


TC22 M 09




TC22 M 09

Ölçek/Scale: 1/2

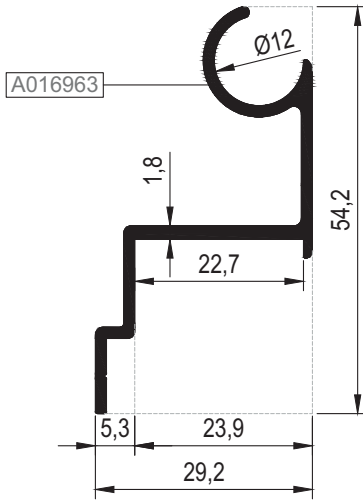


TC22 M 08

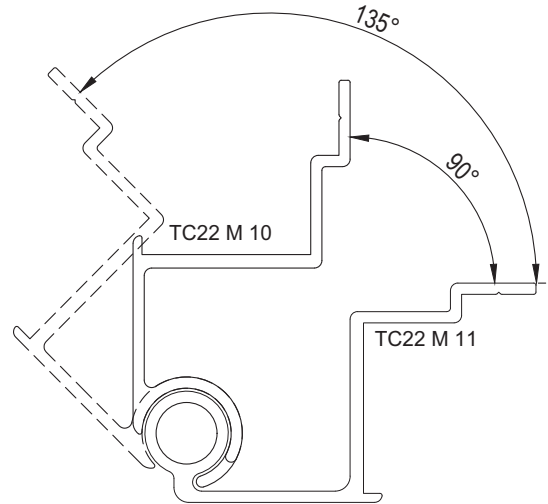
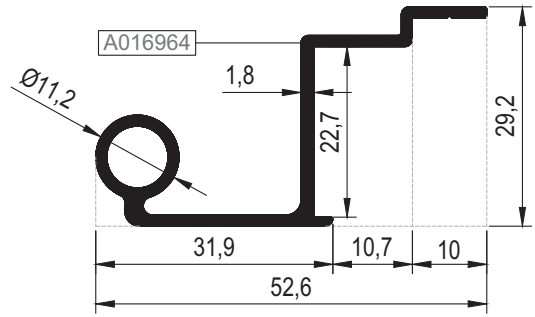
Ölçek/Scale: 1/2

KOD / CODE	AĞIRLIK (kg/m) / WEIGHT	Jxx cm <sup>4</sup>	Jyy cm <sup>4</sup>	L m	
TC22 M 10	0,439	1,625	2,917	6	
TC22 M 11	0,477	3,559	1,722	6	

TC22 M 10

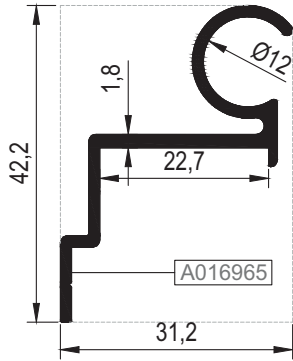


TC22 M 11

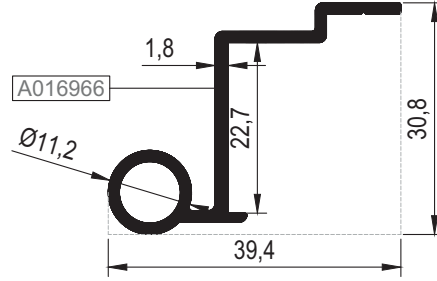


KOD / CODE	AĞIRLIK (kg/m) / WEIGHT	Jxx cm <sup>4</sup>	Jyy cm <sup>4</sup>	L m	
TC22 M 12	0,385	1,412	1,499	6	
TC22 M 13	0,382	1,279	1,550	6	
TC22 M 14	0,573	0,858	6,532	6	

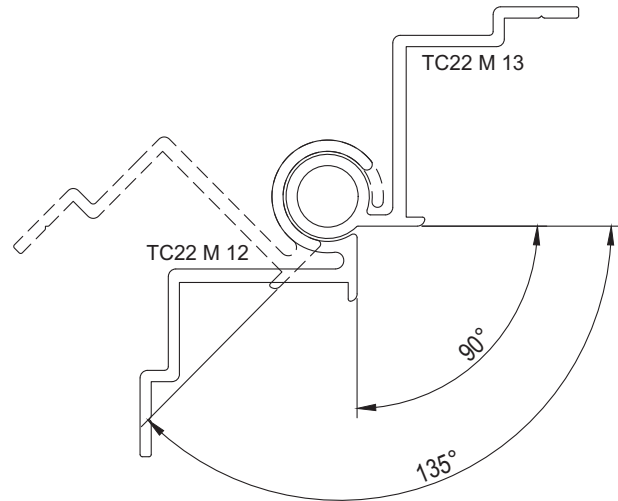
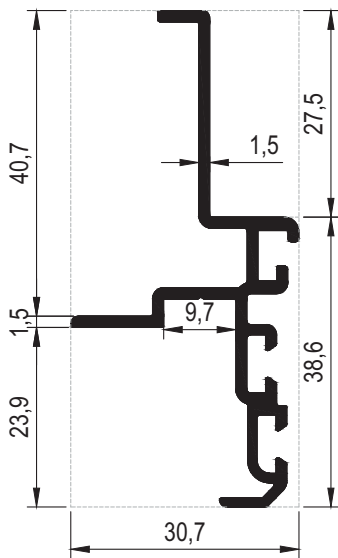
TC22 M 12



TC22 M 13



\*\*TC22 M 14



\*\*Kalıp aktif değildir. Sipariş üzerine yapılacaktır.  
The die is not active. It will be produced by order.

# MİMARİ KATALOG ARCHITECTURAL CATALOGUE

Alüminyum Kapı Pencere ve Giydirme Cephe Sistemleri  
Aluminium Window Doors and Facade Systems

# Rtc22

DETAYLAR

DETAILS

14

15

16

17

18

19

20

21

22

23

24

25

26

14

15

16

17

18

19

20

21

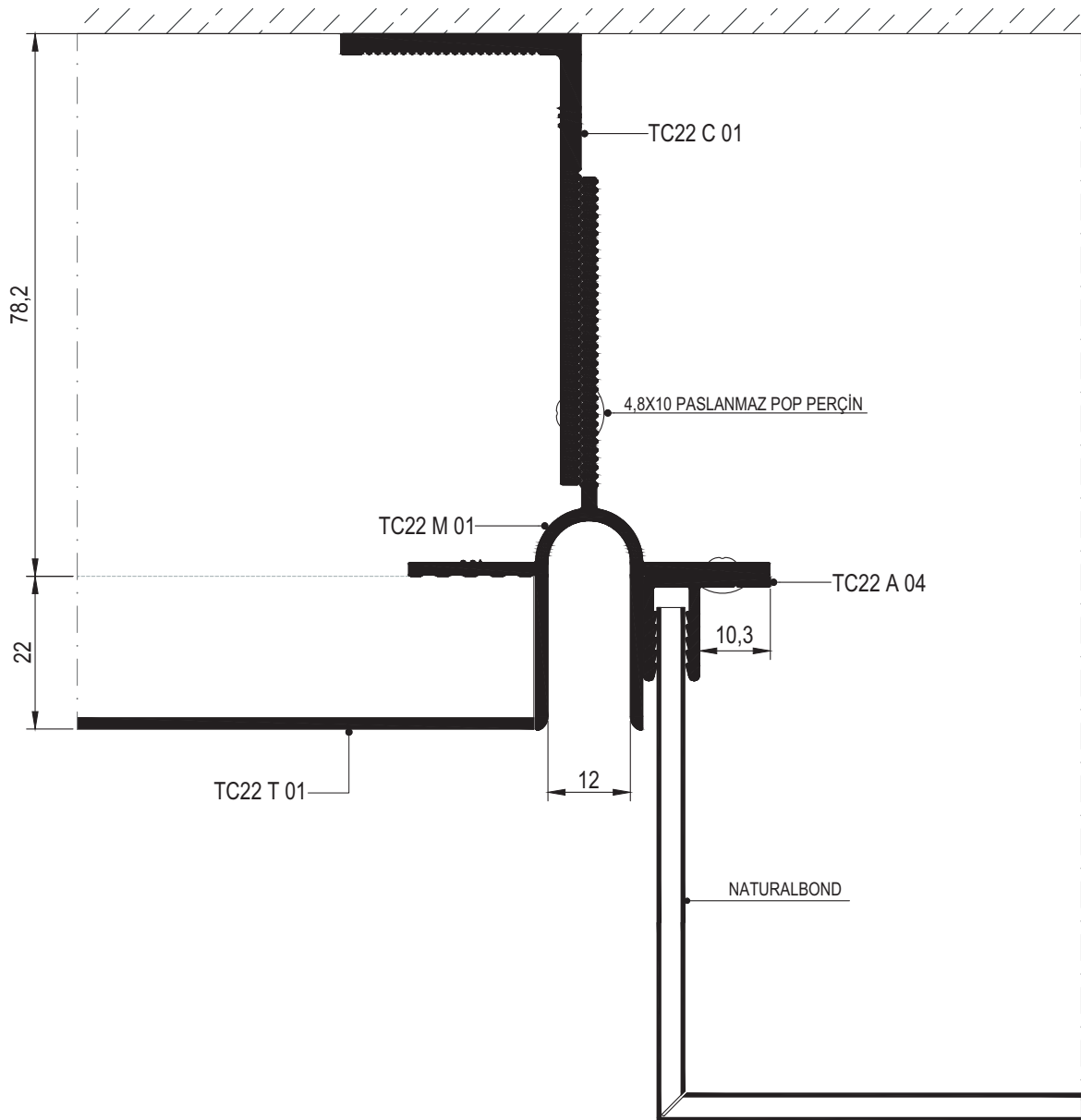
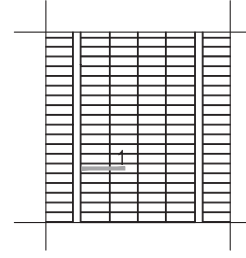
22

23

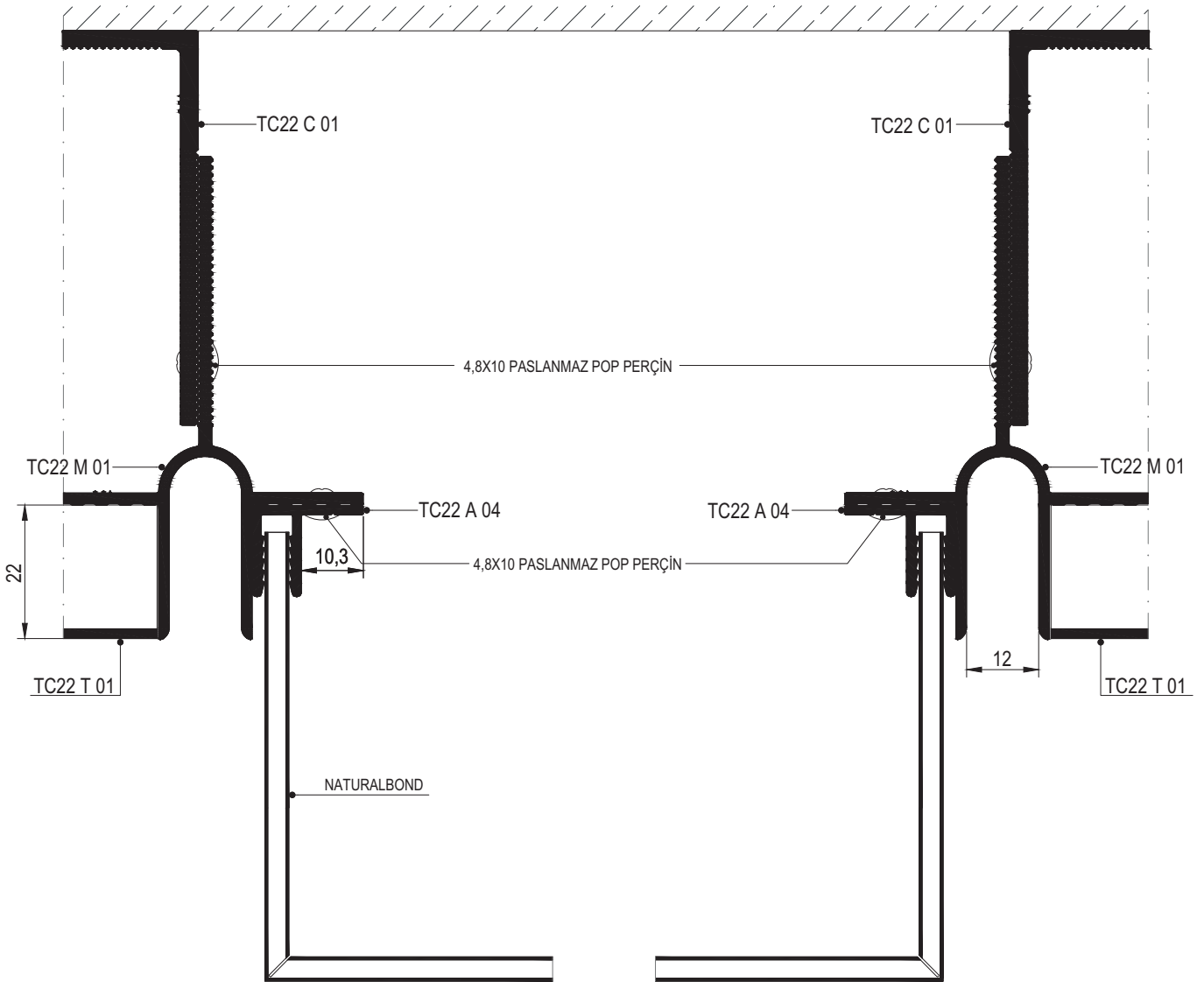
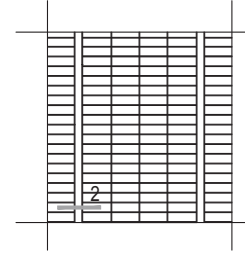
24

25

26



① DETAYI  
DETAIL



② DETAYI  
DETAIL

14

15

16

17

18

19

20

21

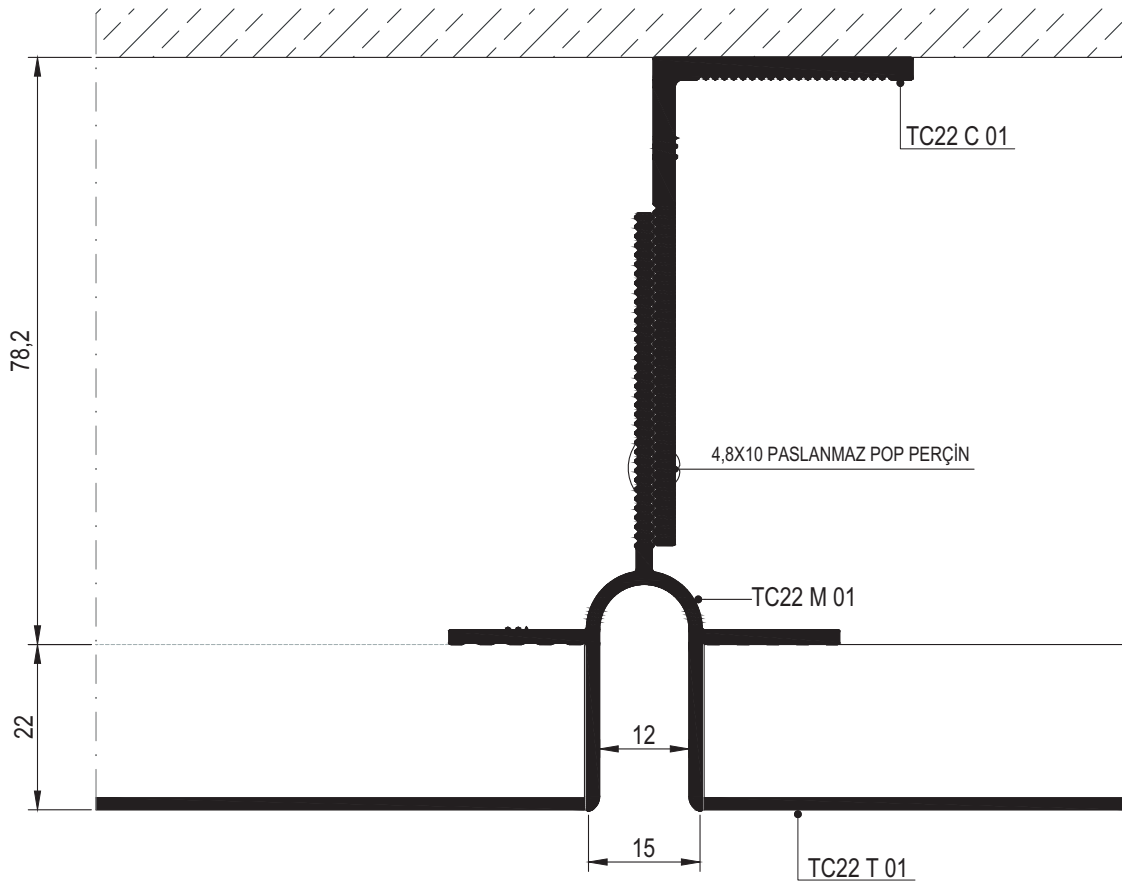
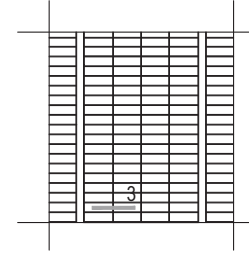
22

23

24

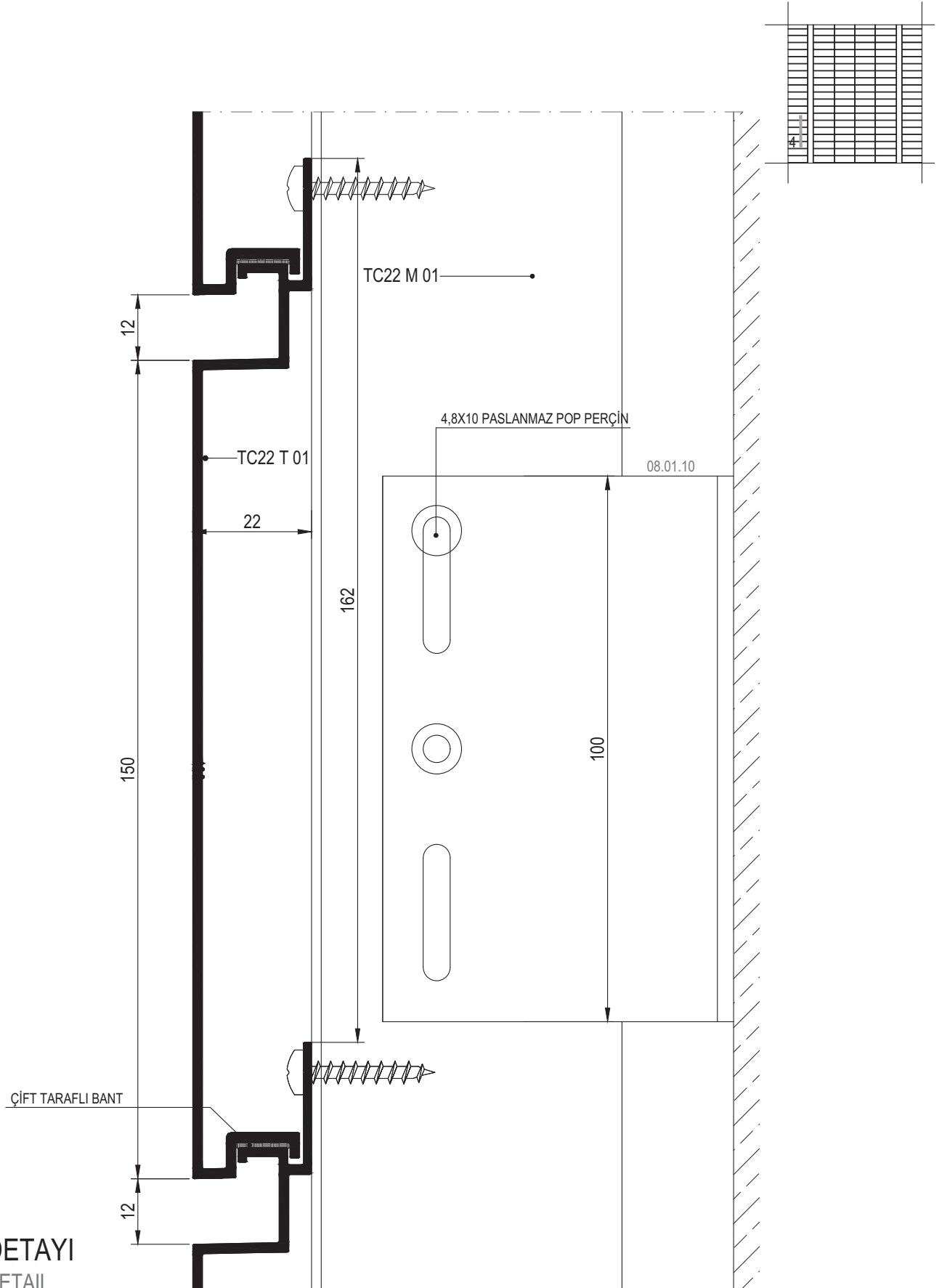
25

26



③ DETAYI  
DETAIL





④ DETAYI  
DETAIL

14

15

16

17

18

19

20

21

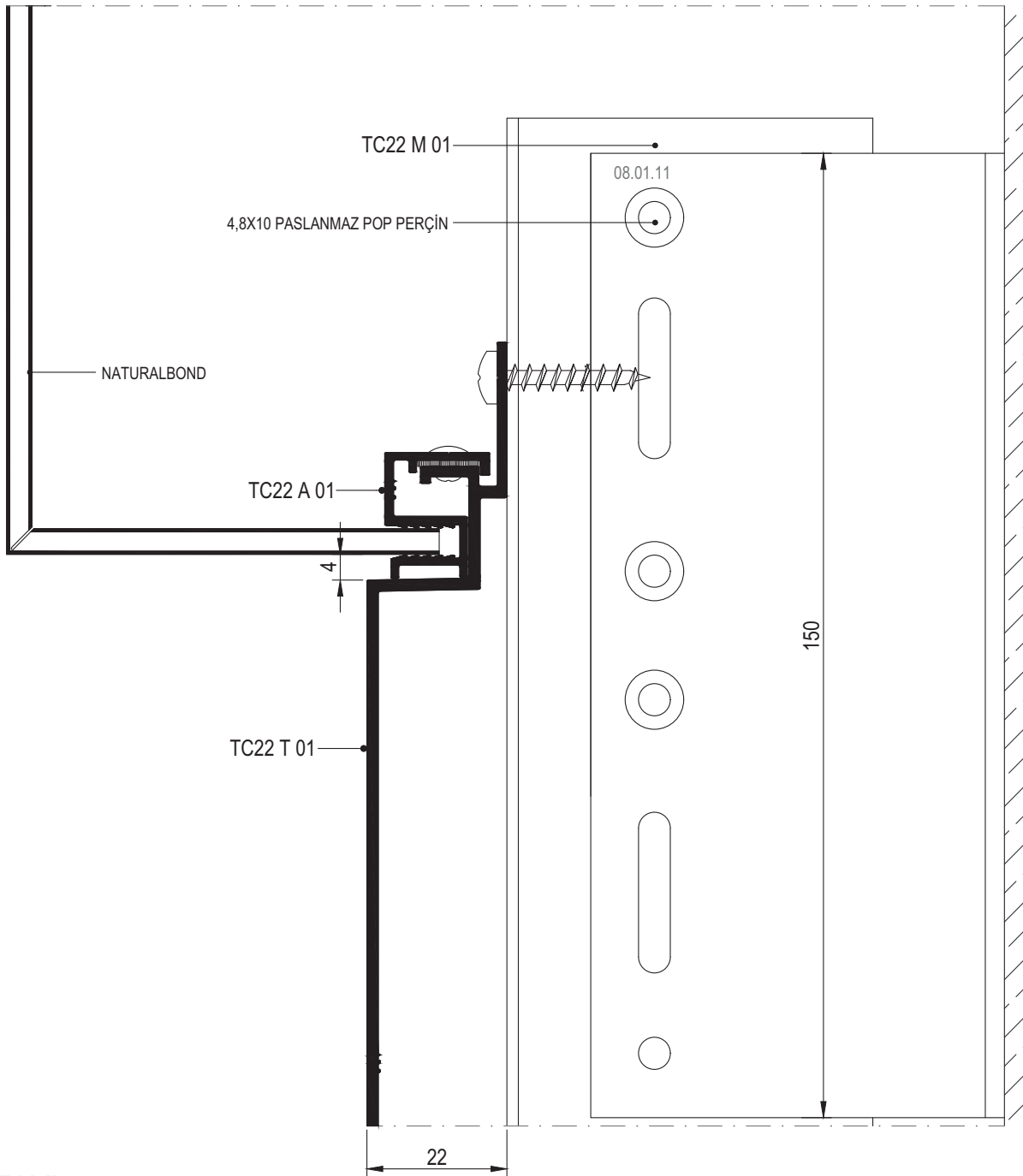
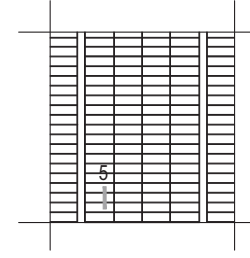
22

23

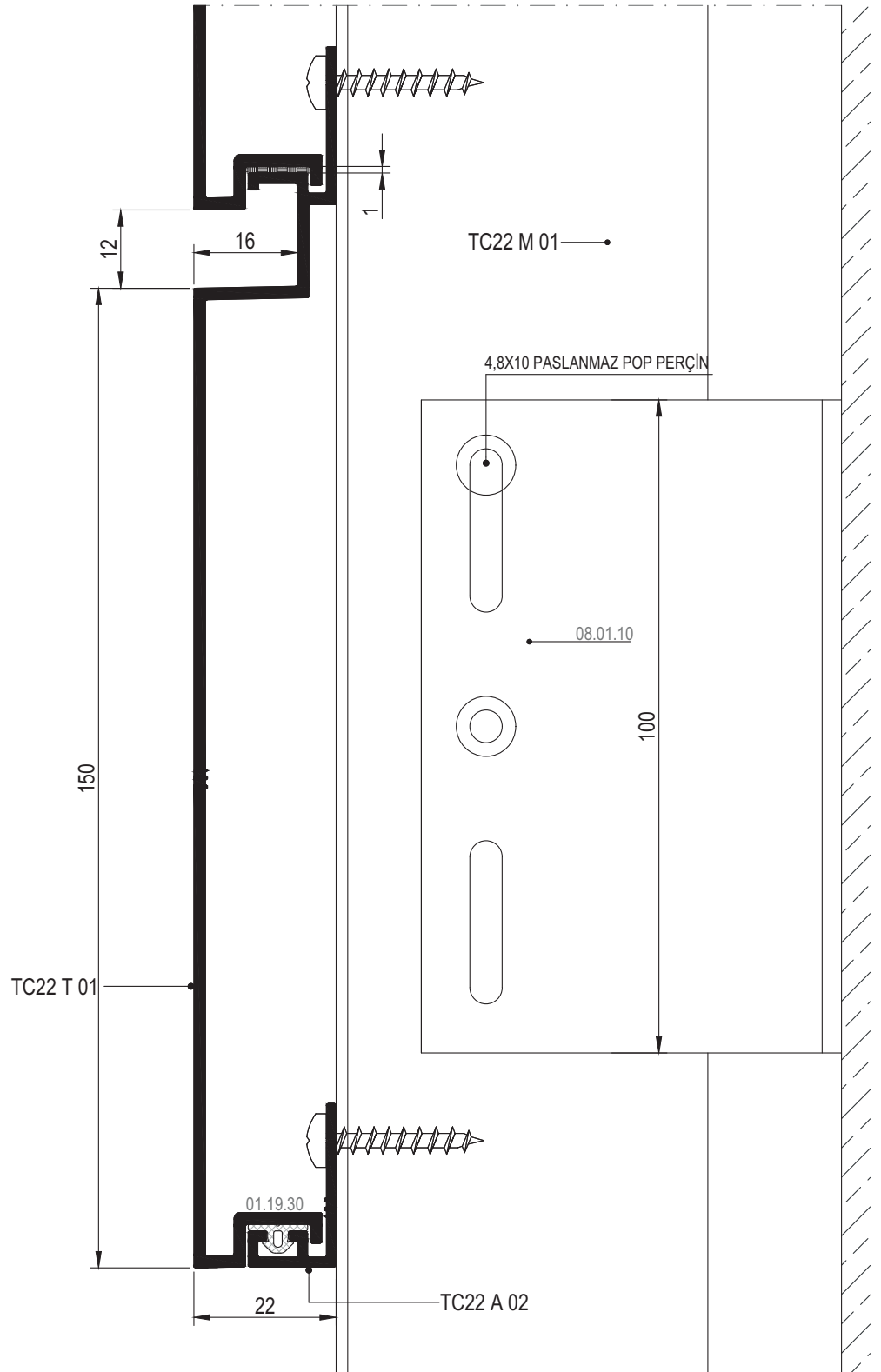
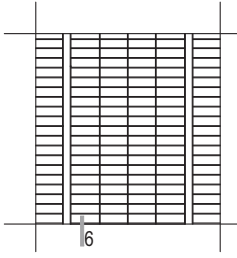
24

25

26



⑤ DETAYI  
DETAIL



⑥ DETAYI  
DETAIL

14

15

16

17

18

19

20

21

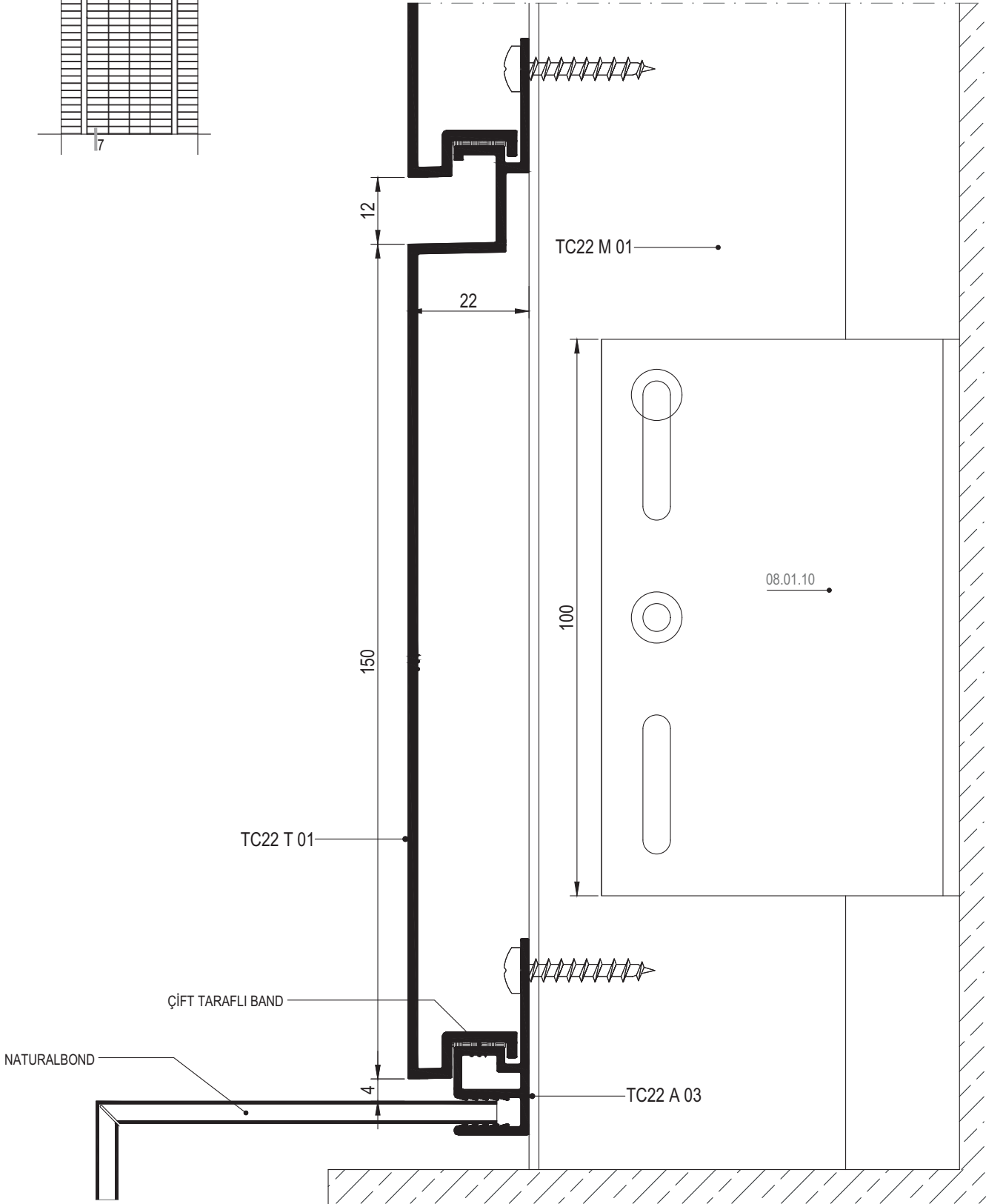
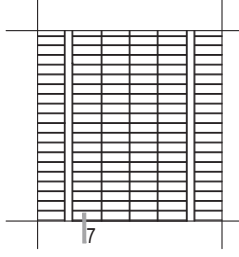
22

23

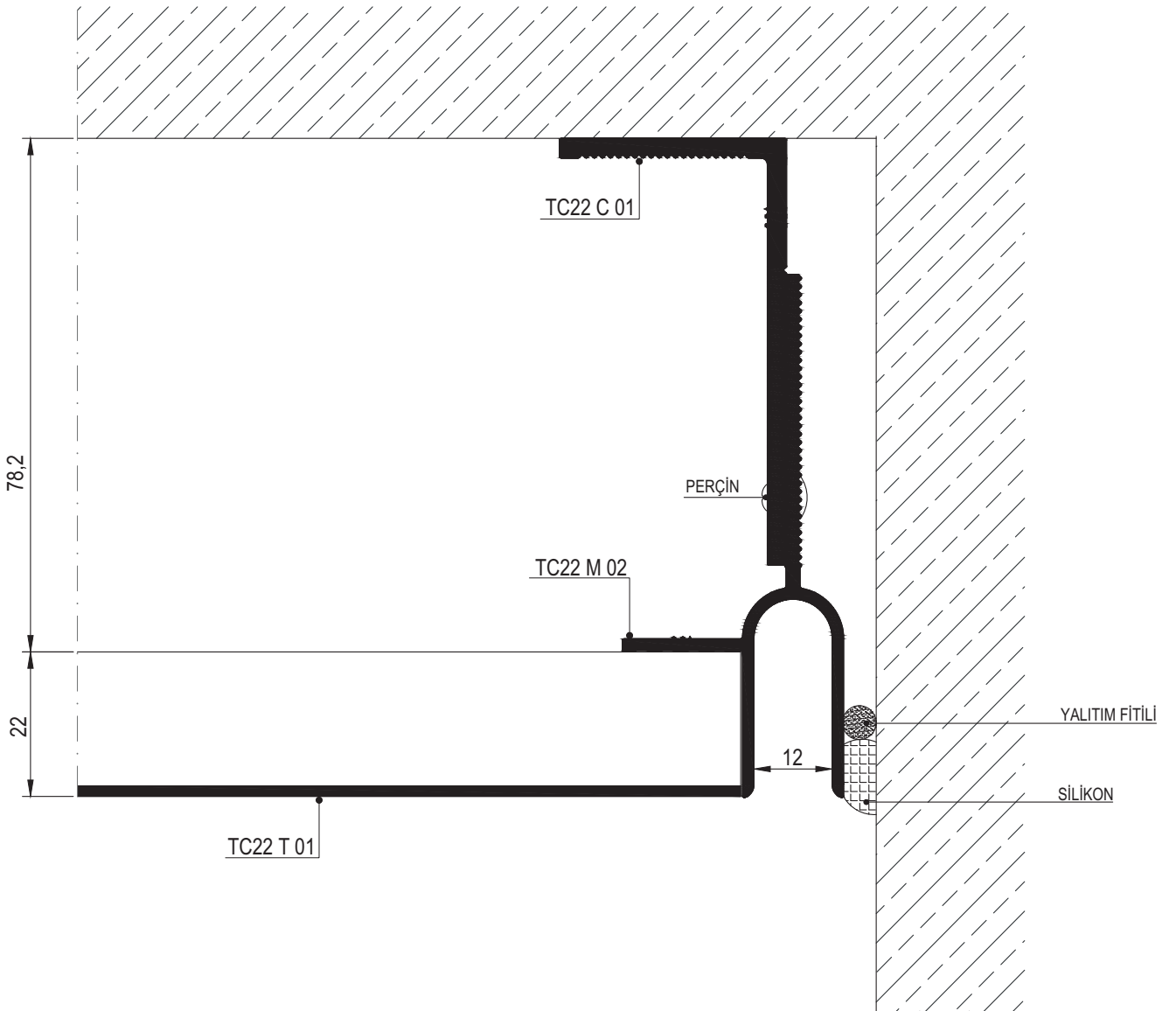
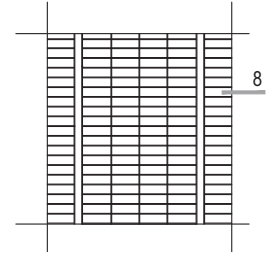
24

25

26



7 DETAYI  
DETAIL



14

15

16

17

18

19

20

21

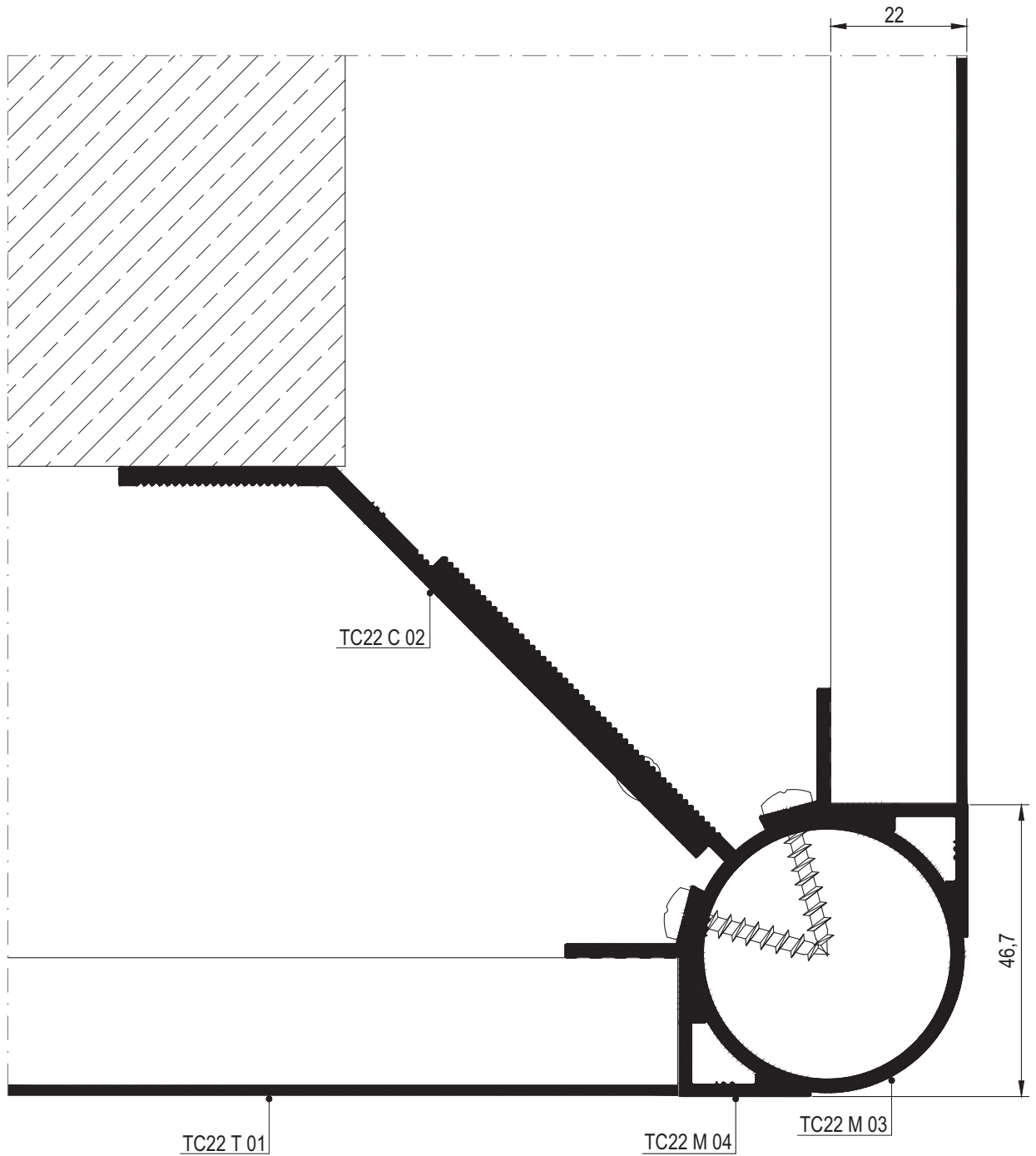
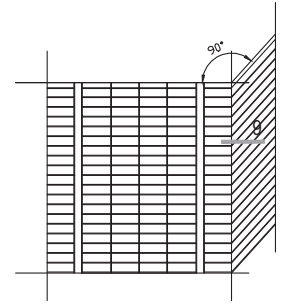
22

23

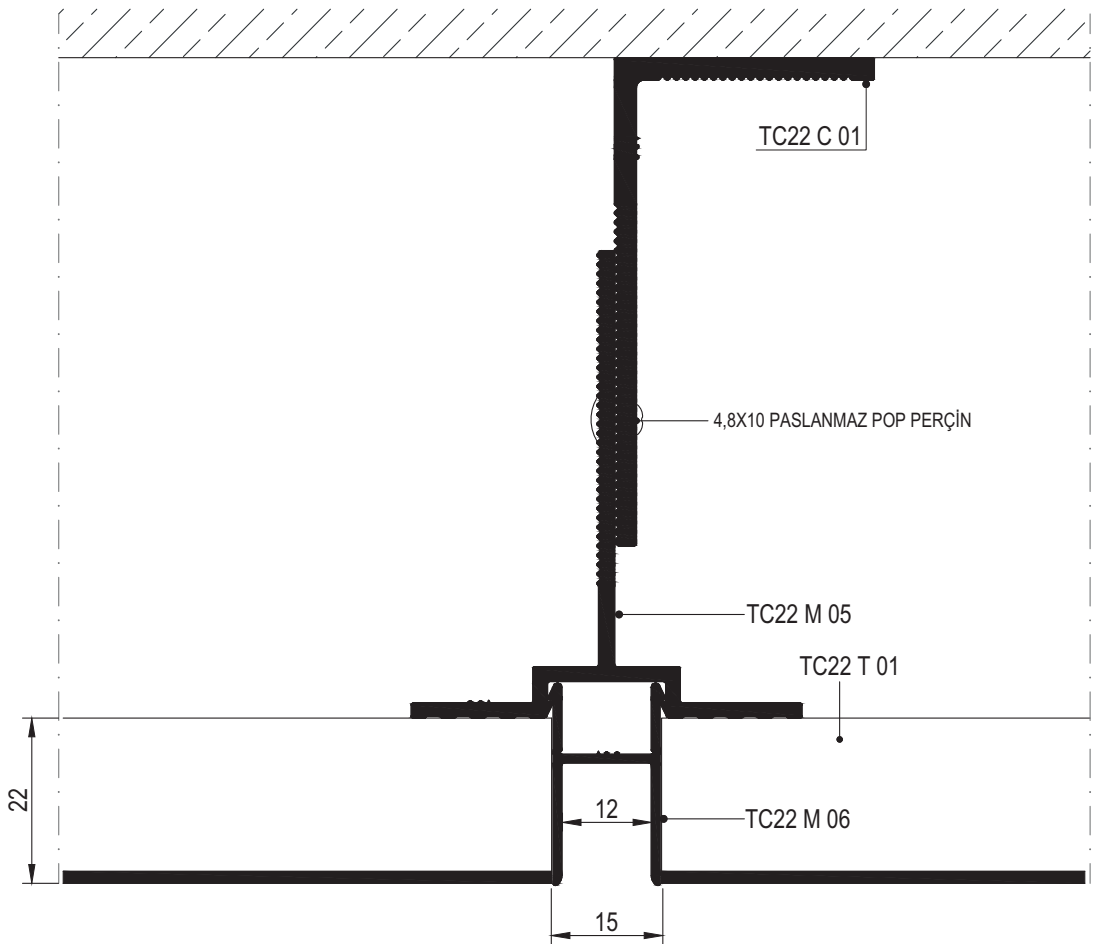
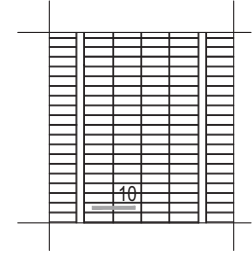
24

25

26



⑨ DETAYI  
DETAIL



14

15

16

17

18

19

20

21

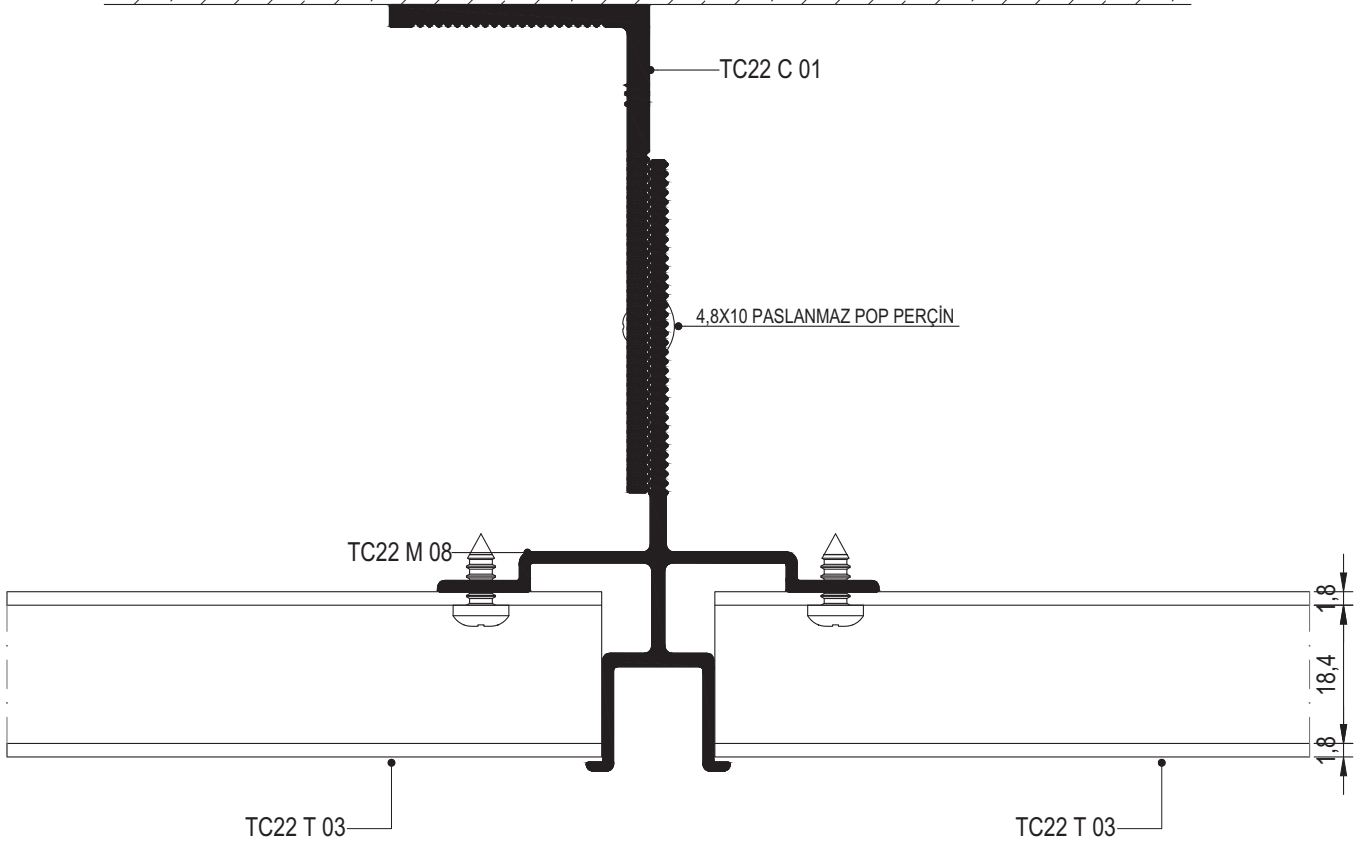
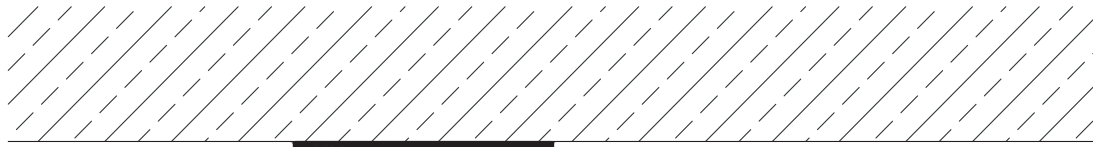
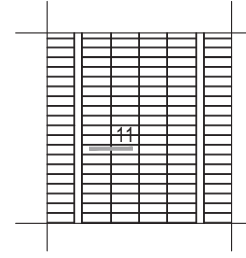
22

23

24

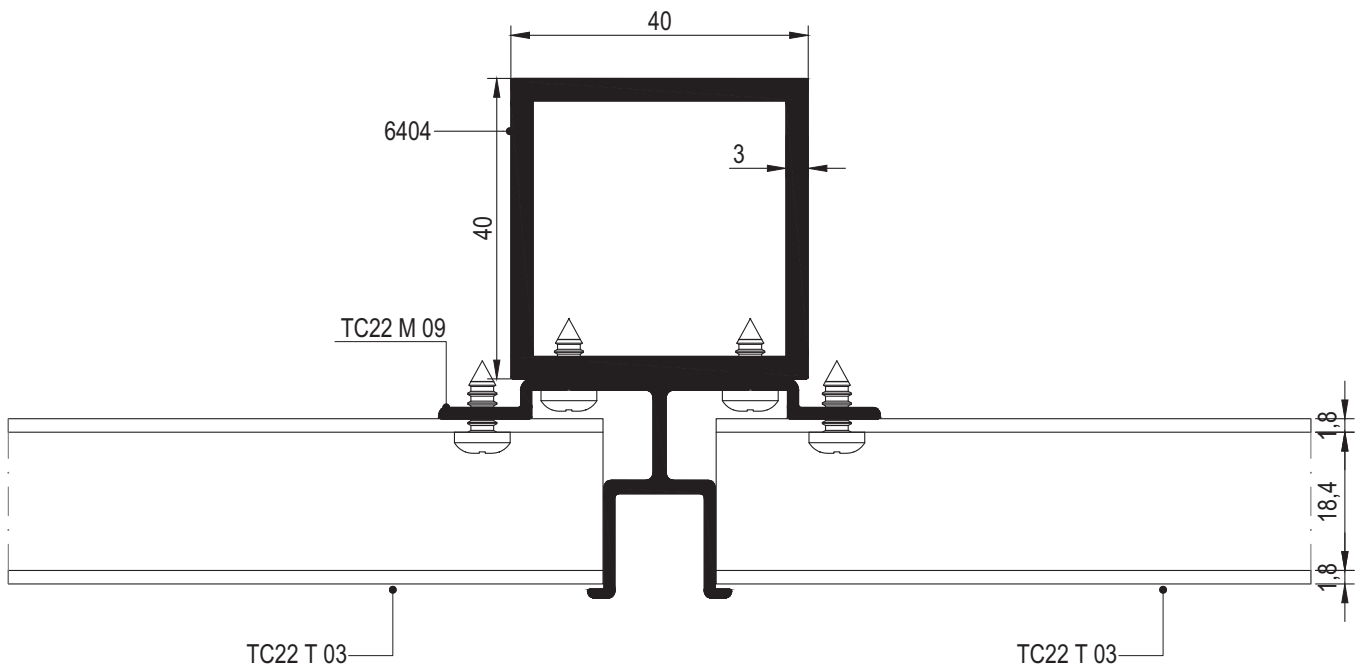
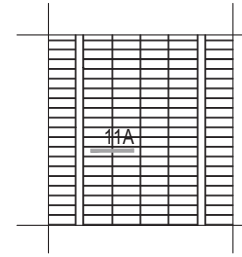
25

26



11 DETAYI  
DETAIL





14

15

16

17

18

19

20

21

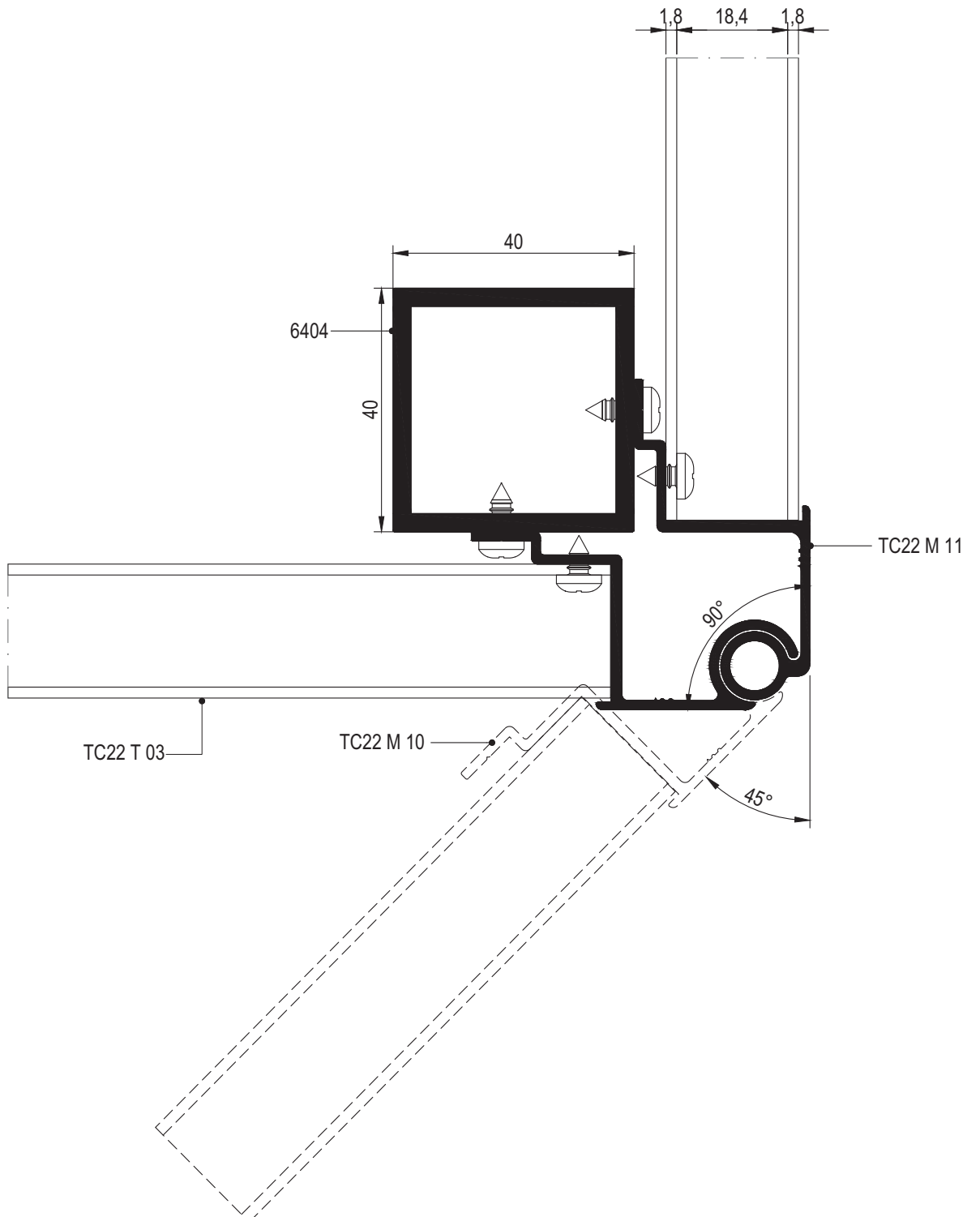
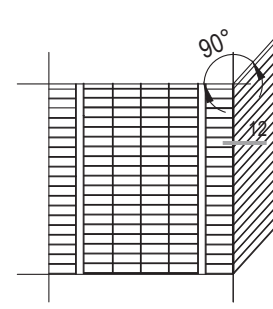
22

23

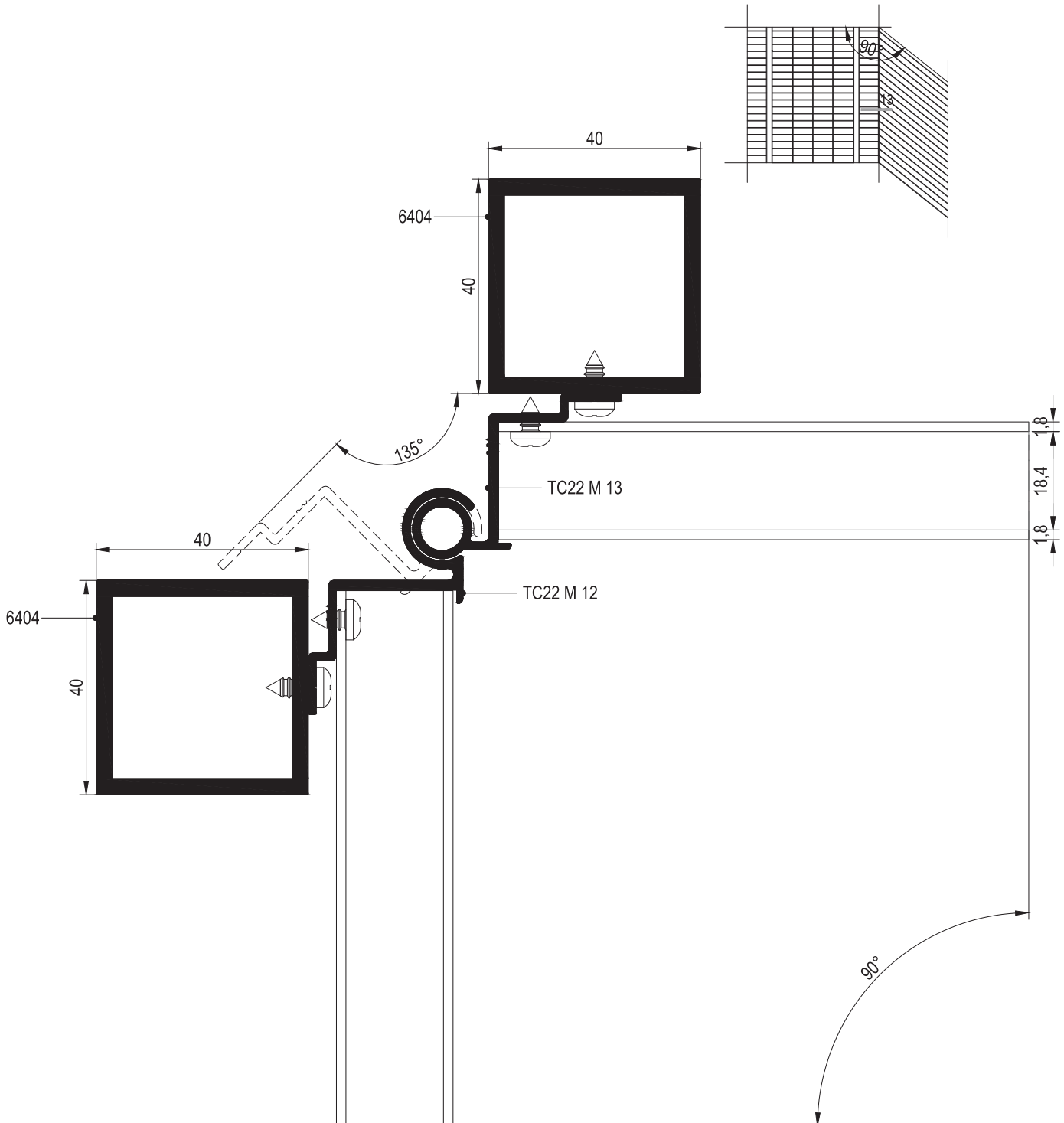
24

25

26



12 DETAYI  
DETAIL



13 DETAYI  
DETAIL

14

15

16

17

18

19

20

21

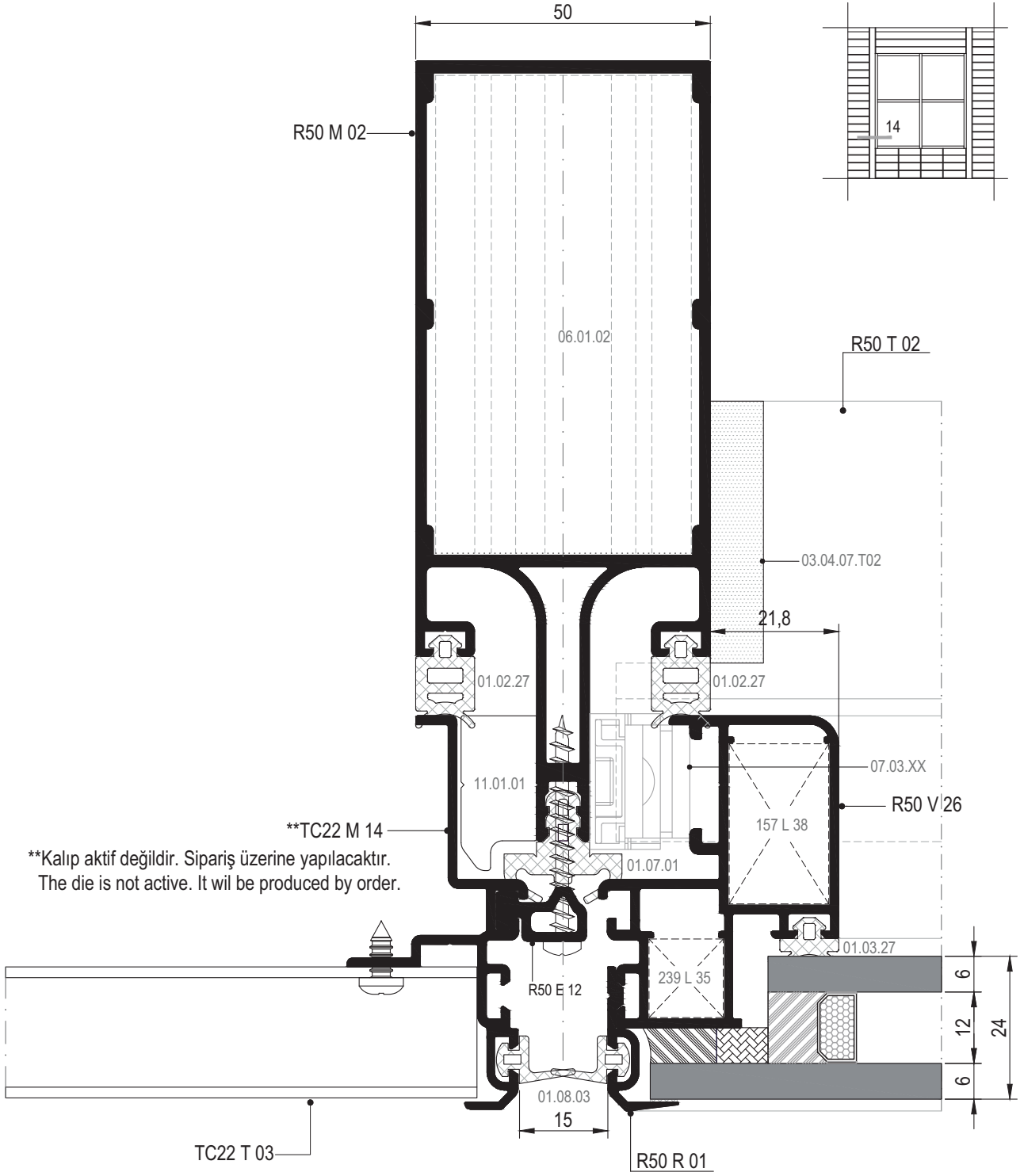
22

23

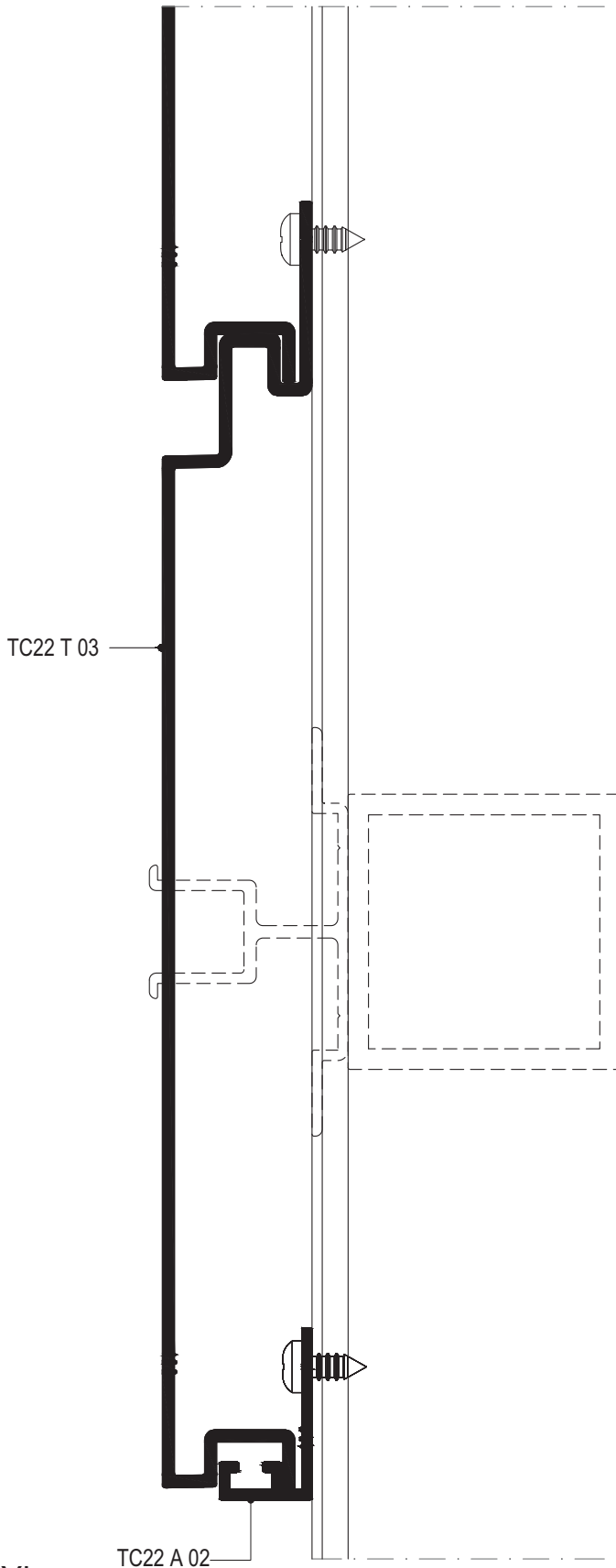
24

25

26

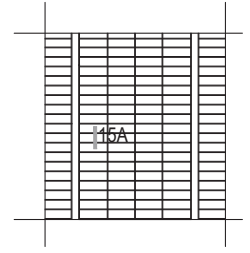
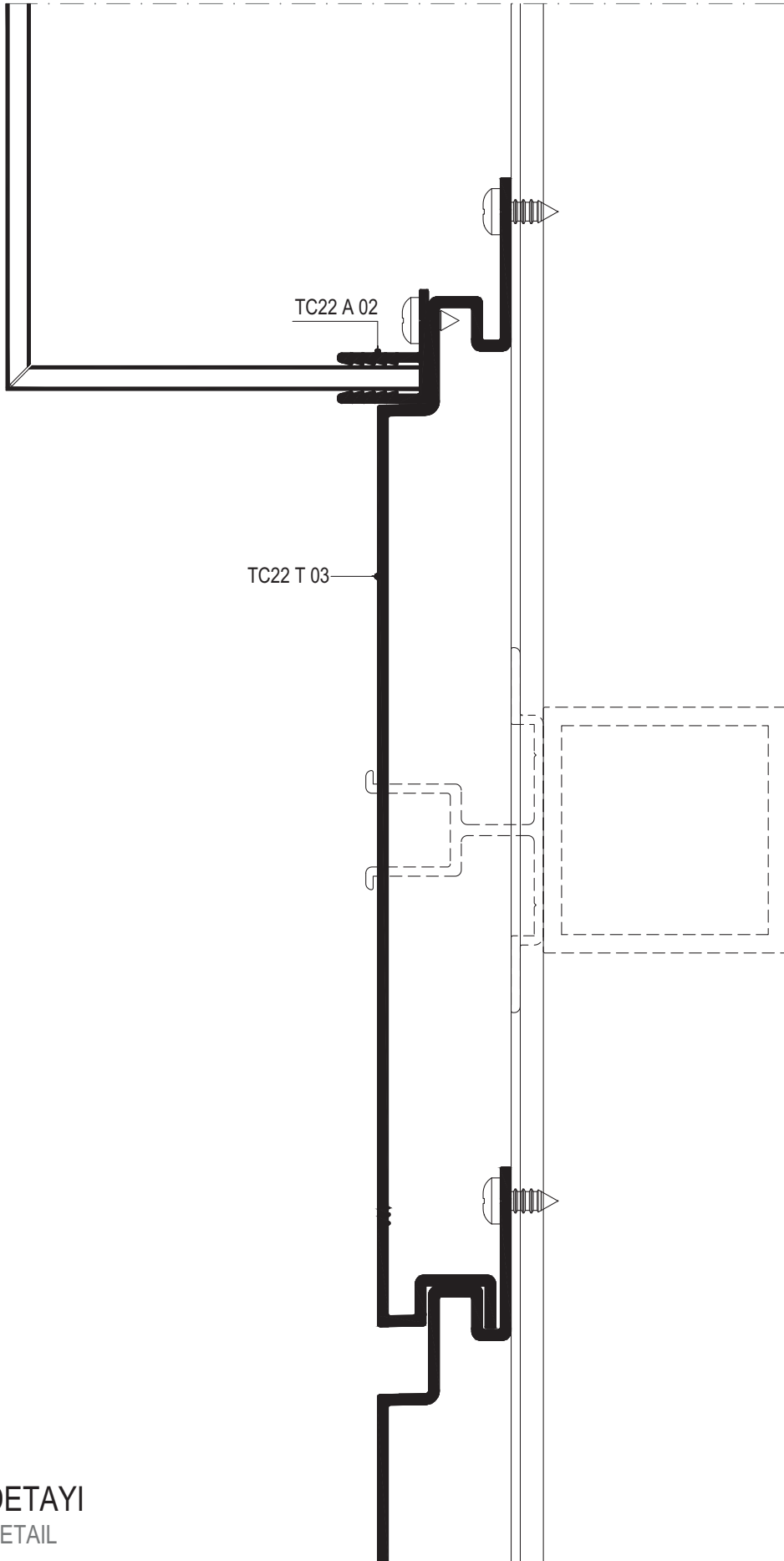


14 DETAYI  
DETAIL



15 DETAYI  
DETAIL

- 14
- 15
- 16
- 17
- 18
- 19
- 20
- 21
- 22
- 23
- 24
- 25
- 26



15A DETAYI  
DETAIL

# MİMARİ KATALOG ARCHITECTURAL CATALOGUE

Alüminyum Kapı Pencere ve Giydirme Cephe Sistemleri  
Aluminium Window Doors and Facade Systems

# Rtc22

AKSESUARLAR

ACCESSORIES

14

15

16

17

18

19

20

21


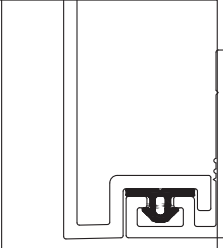
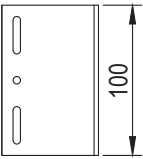
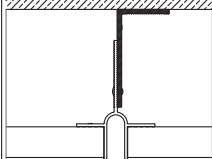
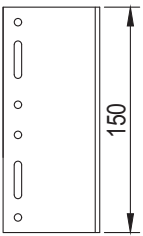
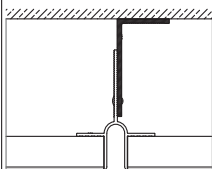
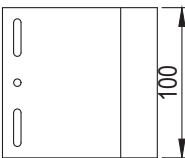
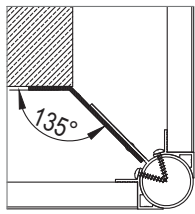
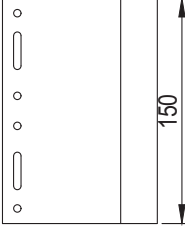
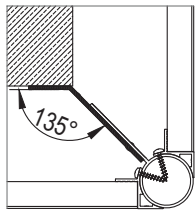
22

23

24

25

26

14					
15		<b>01.19.30</b> BİNİ FİTİLİ GASKET Malzeme / Material : EPDM Ağırlık / Weight : 27 gr/m Paket / Package: 555 m / 15 kg			
16					
17		<b>08.01.10</b> 100'LÜK ANKRAJ ANCHORAGE (100)			
18					
19		<b>08.01.11</b> 150'LİK ANKRAJ ANCHORAGE (150)			
20					
21		<b>08.01.12</b> 100'LÜK ANKRAJ ANCHORAGE (100)			
22					
23		<b>08.01.13</b> 150'LİK ANKRAJ ANCHORAGE (150)			
24					
25					
26					