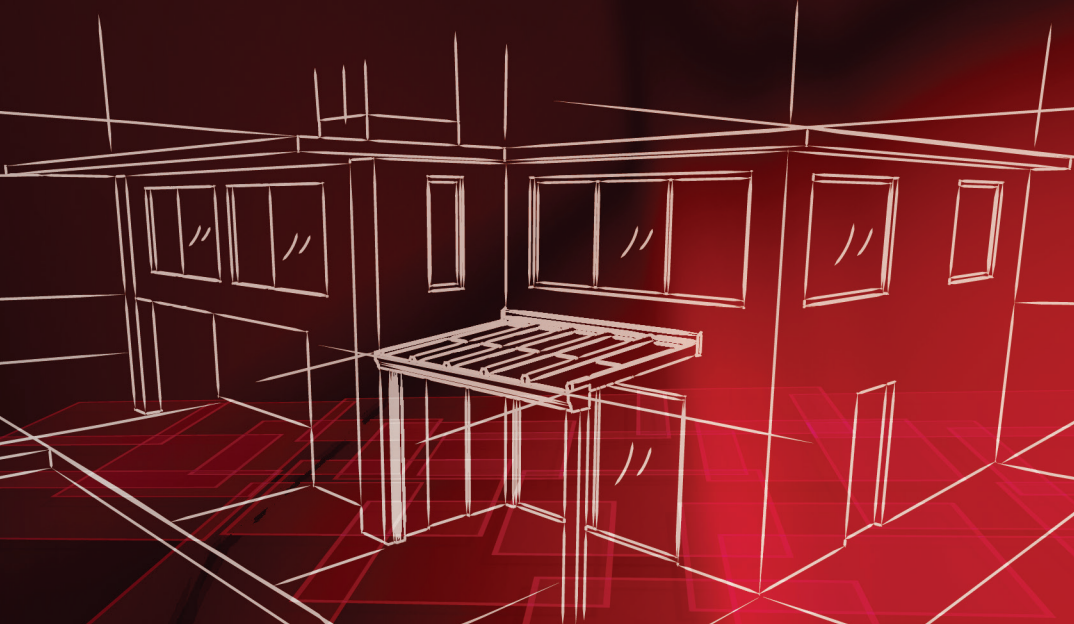


Renksan *Ada*

Alüminyum Profil Statik Boya ve San. Tic. Ltd. Şti.

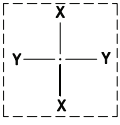
Renksan *Ada*

ile
Güvenli Yapılar

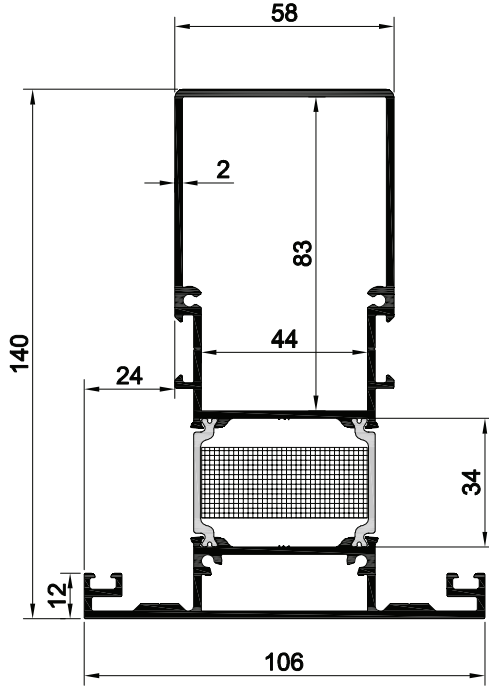


PROFİLLER

PROFILES

KOD / CODE	AĞIRLIK (kg/m) / WEIGHT	Jxx cm ⁴	Jyy cm ⁴	L m	
VERA K 01	3,423	86,783	215,980	6	
VERA K 02	3,331	73,956	190,289	6	

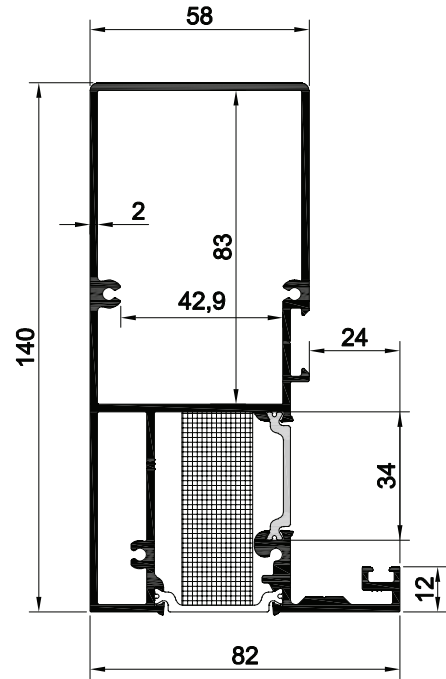
VERA K 01



ÖLÇEK:1/2

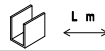
SCALE : 1/2

VERA K 02



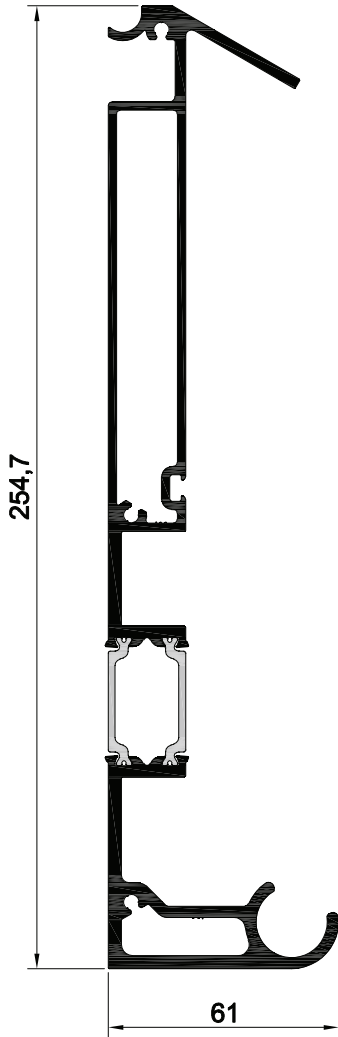
ÖLÇEK:1/2

SCALE : 1/2

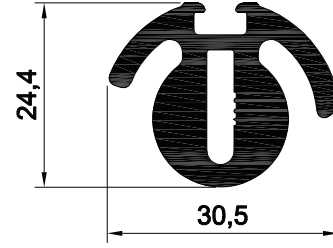
Nr			KESİM ÖLÇÜSÜ CUTTING SIZE
VERA K 01	AFM 00110	05.42.60	60 mm
VERA K 02	AFM 00111	05.42.60	60 mm

KOD / CODE	AĞIRLIK (kg/m) / WEIGHT	Jxx cm ⁴	Jyy cm ⁴	L m	
VERA K 03	4,839	36,765	100,546	6	
VERA A 05	0,909	—	—	6	
VERA A 08	0,801	—	—	6	

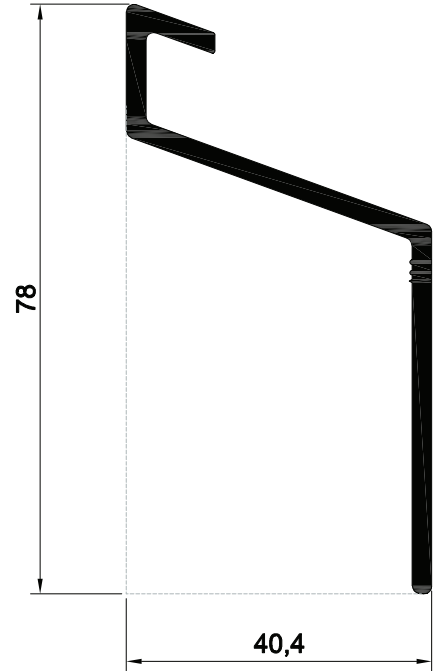
VERA K 03



VERA A 05



VERA A 08

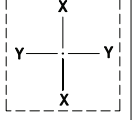


ÖLÇEK: 1/2

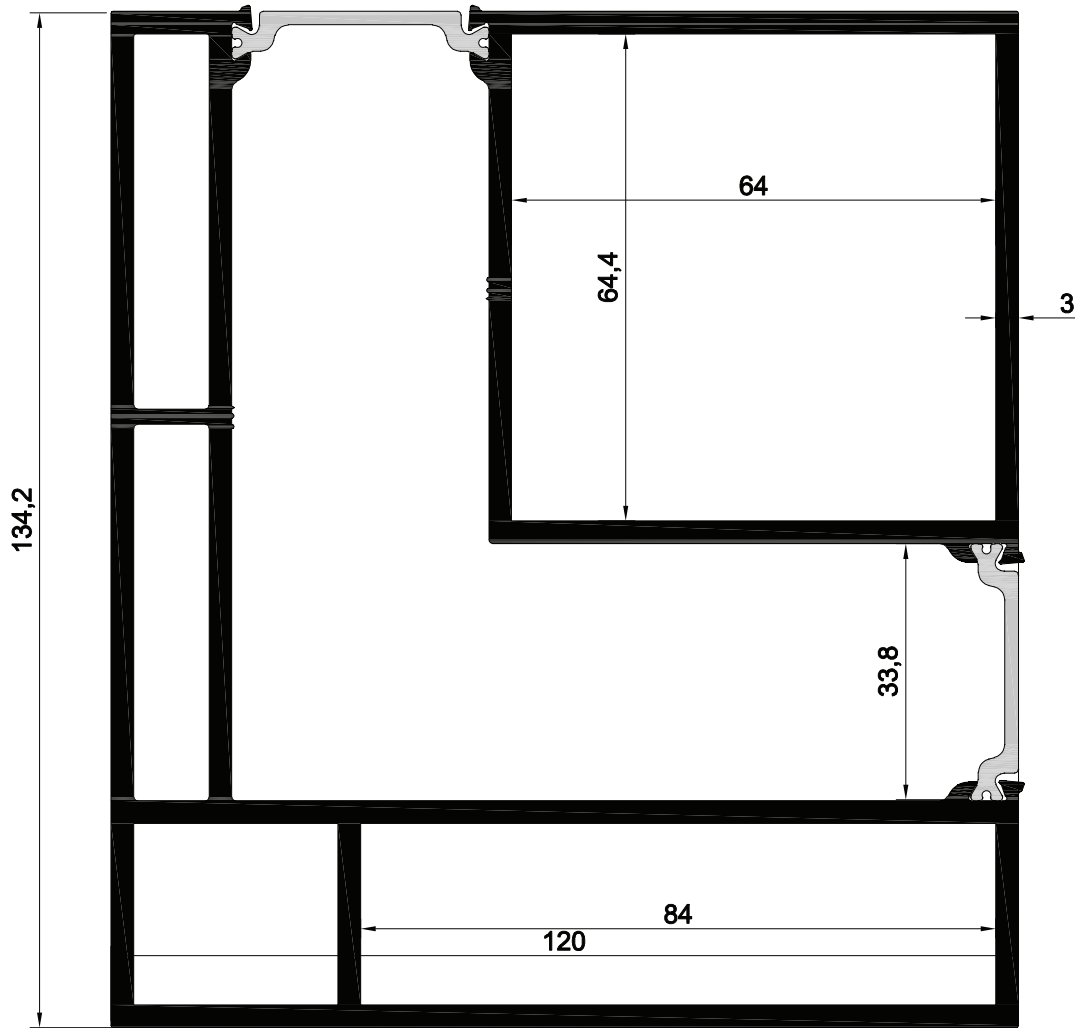
SCALE: 1/2


Nr		L m	KESİM ÖLÇÜSÜ CUTTING SIZE
VERA K 01	AFM 00110	05.42.60	60 mm
VERA K 02	AFM 00111	05.42.60	60 mm

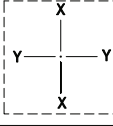
KOD / CODE	AĞIRLIK (kg/m) / WEIGHT	J _{xx} cm ⁴	J _{yy} cm ⁴	L m	
VERA D 01	6,883	437,941	504,950	6	



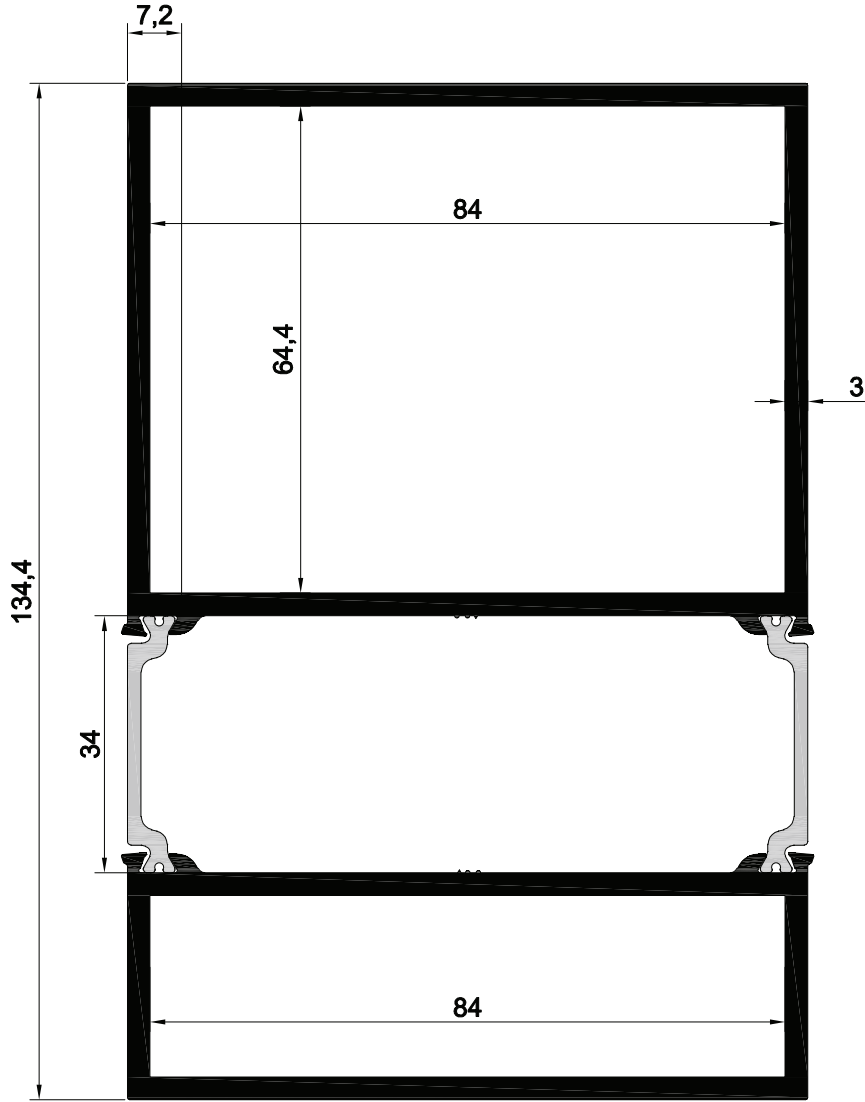
VERA D 01




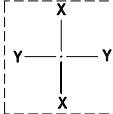
Nr		 L m	KESİM ÖLÇÜSÜ CUTTING SIZE
VERA D 01	KALIP NO	05.63.100	60 mm
			60 mm

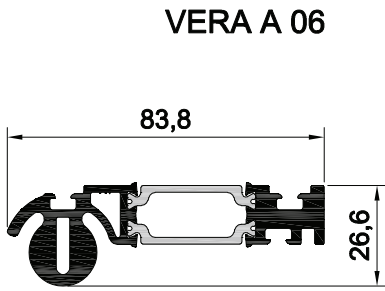
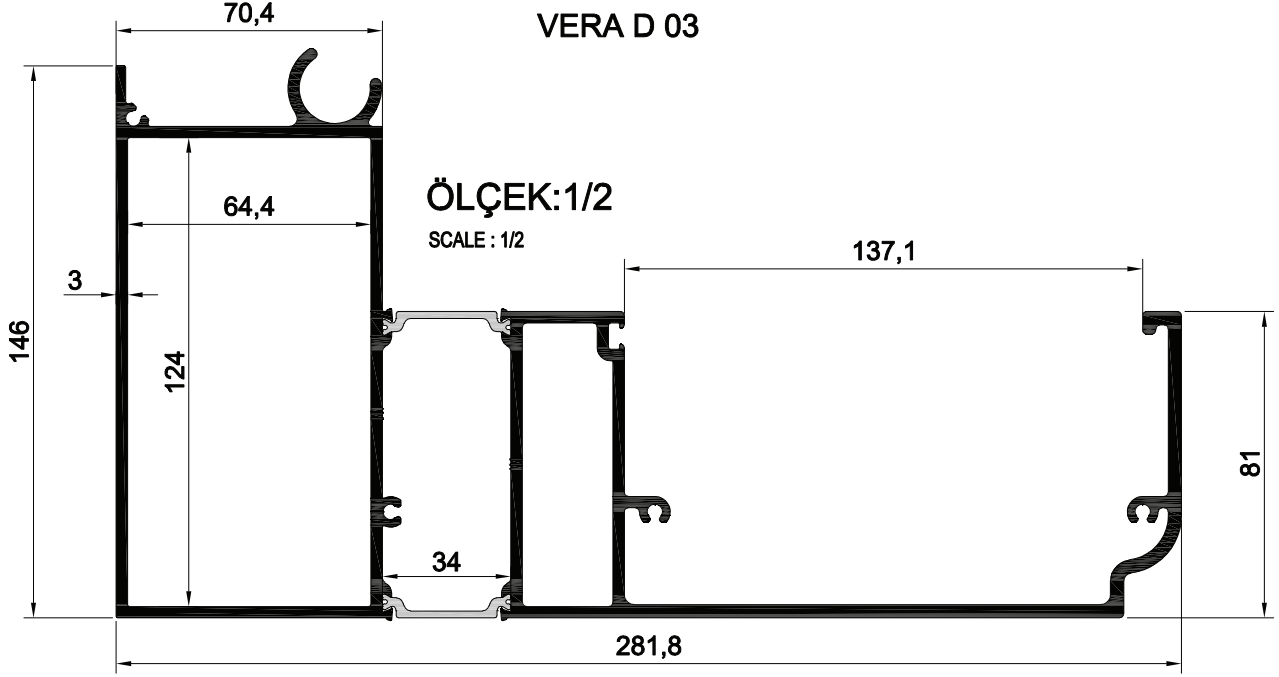
KOD / CODE	AĞIRLIK (kg/m) / WEIGHT	Jxx cm ⁴	Jyy cm ⁴	L m	
VERA D 02	4,699	181,817	275,236	6	

VERA D 02

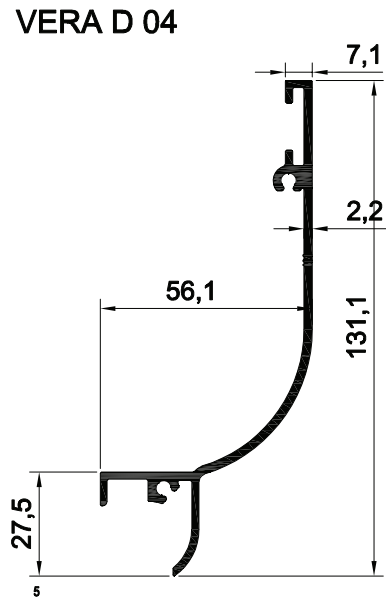


Nr		 L m	KESİM ÖLÇÜSÜ CUTTING SIZE
VERA D 02	KALIP NO	05.83.100	60 mm
			60 mm

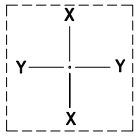
KOD / CODE	AĞIRLIK (kg/m) / WEIGHT	J _{xx} cm ⁴	J _{yy} cm ⁴	L m	
VERA D 03	7,741	1533,205	608,569	6	
VERA D 04	1,220	--	--	6	
VERA A 06	1,816	--	--	6	



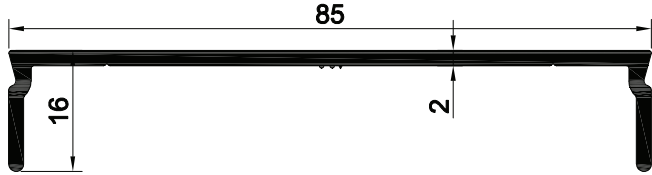
ÖLÇEK:1/2
SCALE : 1/2



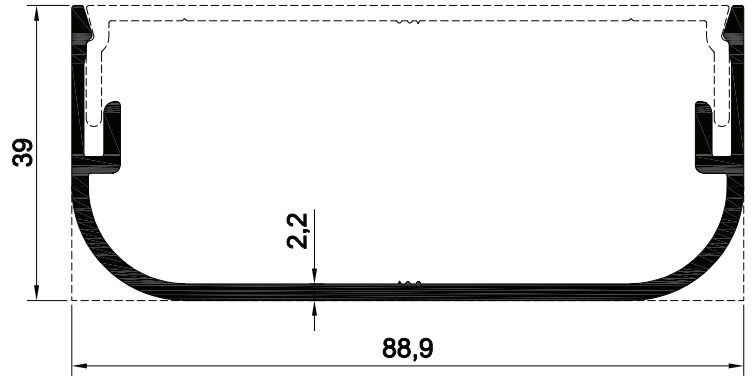
ÖLÇEK:1/2
SCALE : 1/2

KOD / CODE	AĞIRLIK (kg/m) / WEIGHT	Jxx cm ⁴	Jyy cm ⁴	L m	
VERA A 01	0,205	--	--	6	
VERA A 02	0,616	--	--	6	
VERA A 03	2,420	--	--	6	
VERA A 04	0,986	--	--	6	

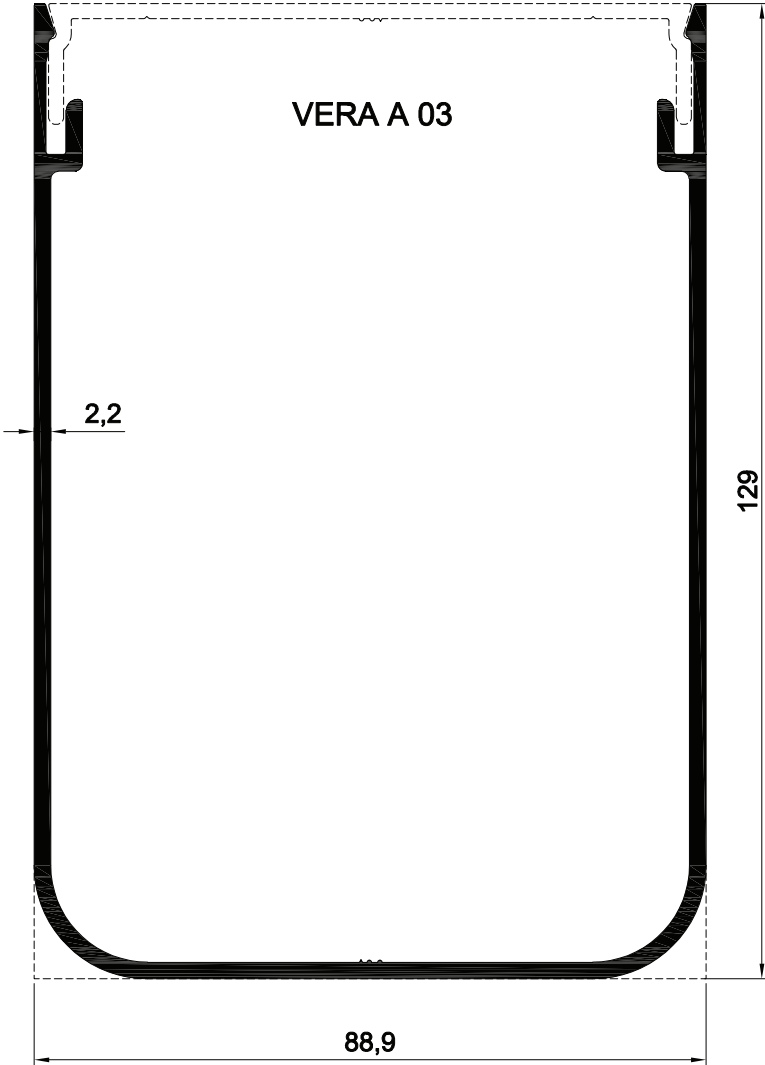
VERA A 02



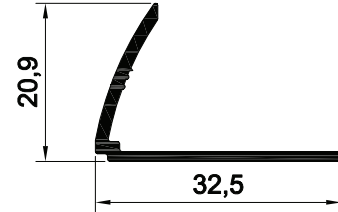
VERA A 04

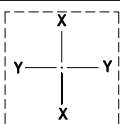


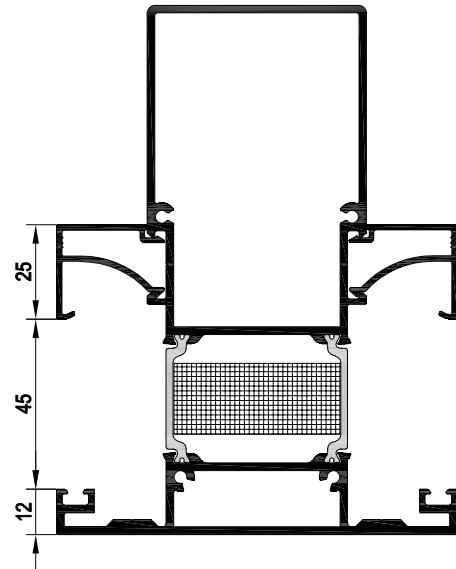
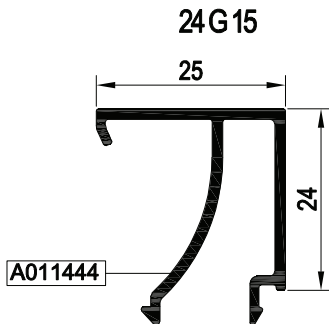
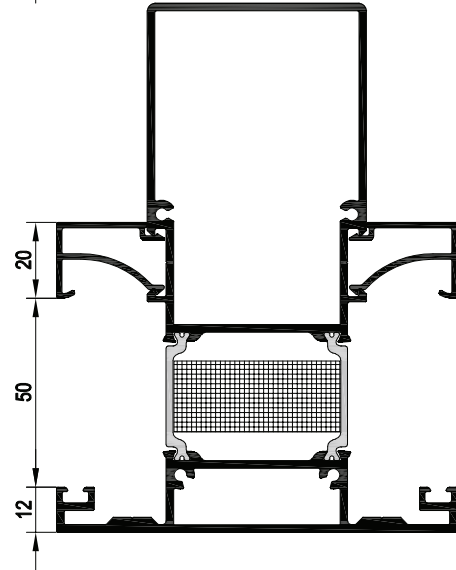
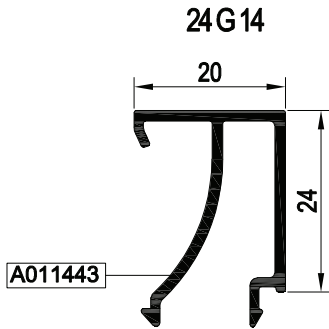
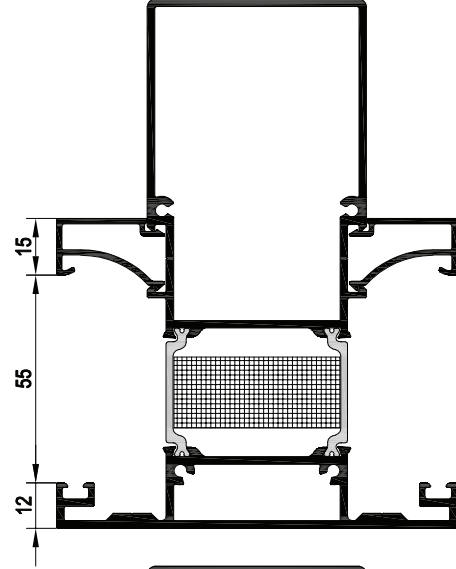
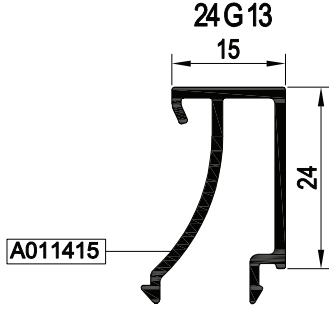
VERA A 03

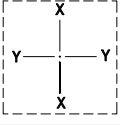


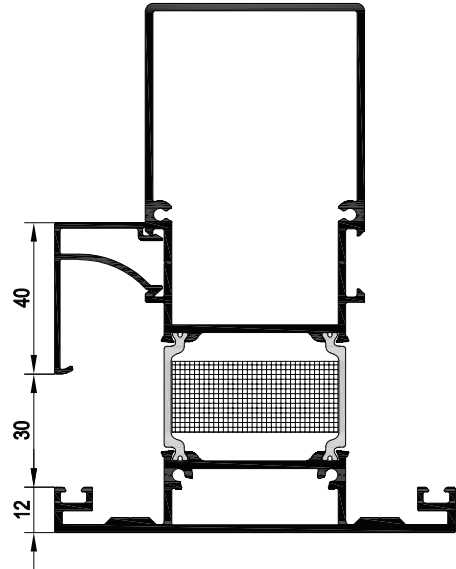
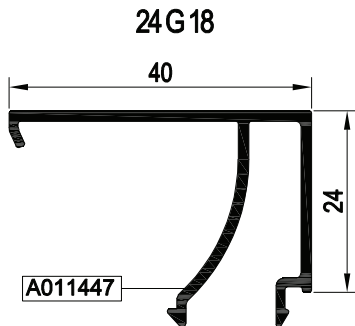
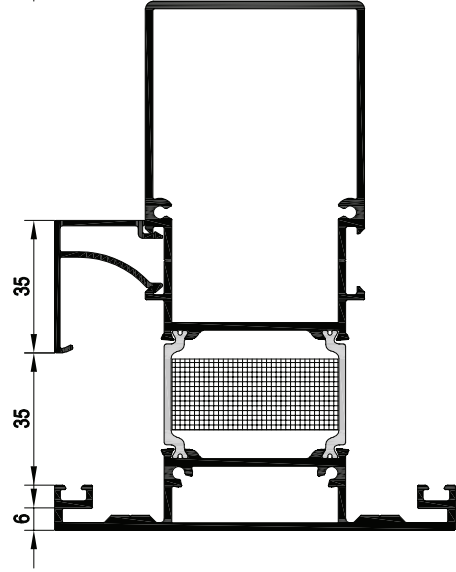
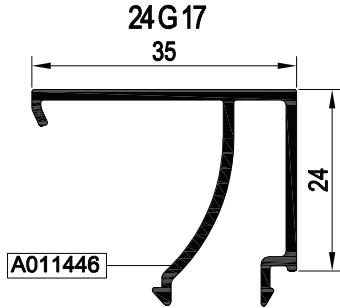
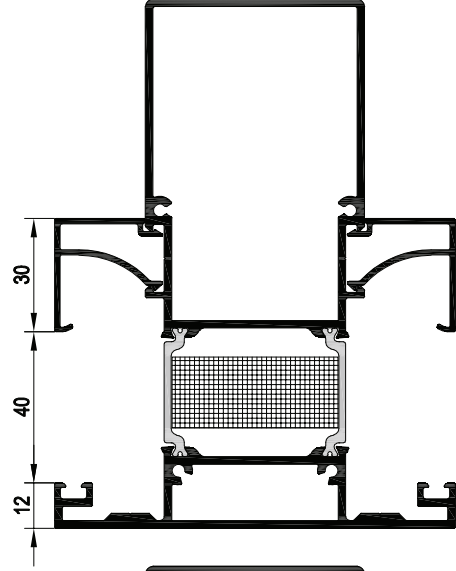
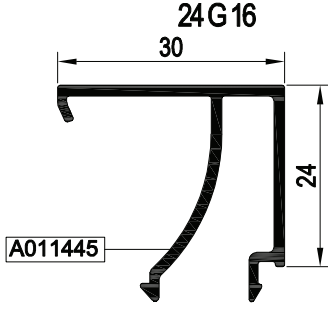
VERA A 01



KOD / CODE	AĞIRLIK (kg/m) / WEIGHT	Jxx cm ⁴	Jyy cm ⁴	L m	
24 G 13	0,296	---	---	6	
24 G 14	0,315	---	---	6	
24 G 15	0,334	---	---	6	

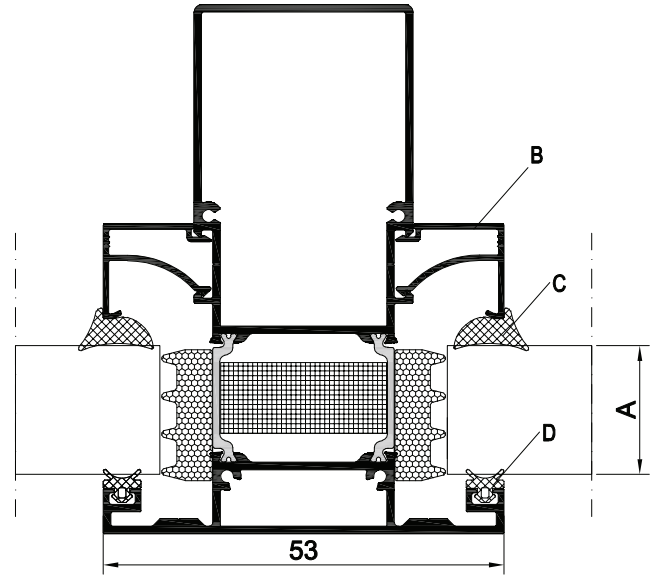


KOD / CODE	AĞIRLIK (kg/m) / WEIGHT	Jxx cm4	Jyy cm4	L m	
24 G 16	0,353	---	---	6	
24 G 17	0,372	---	---	6	
24 G 18	0,391	---	---	6	



B, CAM ÇİTASI GLAZING BEAD	C, İÇ CAM FİTİLİ GLAZING GASKET	A, CAM KALINLIĞI GLASS THICKNESS	D, DIŞ CAM FİTİLİ GLAZING GASKET
24 G 13	01.17.20	48 mm	01.03.27
24 G 13	01.17.05	47 mm	01.03.27
24 G 13	01.17.14	46 mm	01.03.27
24 G 13	01.17.15	45 mm	01.03.27
24 G 13	01.17.21	44 mm	01.03.27
24 G 14	01.17.20	43 mm	01.03.27
24 G 14	01.17.05	42 mm	01.03.27
24 G 14	01.17.14	41 mm	01.03.27
24 G 14	01.17.15	40 mm	01.03.27
24 G 14	01.17.21	39 mm	01.03.27
24 G 15	01.17.20	38 mm	01.03.27
24 G 15	01.17.05	37 mm	01.03.27
24 G 15	01.17.14	36 mm	01.03.27
24 G 15	01.17.15	35 mm	01.03.27
24 G 15	01.17.21	34 mm	01.03.27
24 G 16	01.17.20	33 mm	01.03.27
24 G 16	01.17.05	32 mm	01.03.27
24 G 16	01.17.14	31 mm	01.03.27
24 G 16	01.17.15	30 mm	01.03.27
24 G 16	01.17.21	29 mm	01.03.27

B, CAM ÇİTASI GLAZING BEAD	C, İÇ CAM FİTİLİ GLAZING GASKET	A, CAM KALINLIĞI GLASS THICKNESS	D, DIŞ CAM FİTİLİ GLAZING GASKET
24 G 17	01.17.20	28 mm	01.03.27
24 G 17	01.17.05	27 mm	01.03.27
24 G 17	01.17.14	26 mm	01.03.27
24 G 17	01.17.15	25 mm	01.03.27
24 G 17	01.17.21	24 mm	01.03.27
24 G 18	01.17.20	23 mm	01.03.27

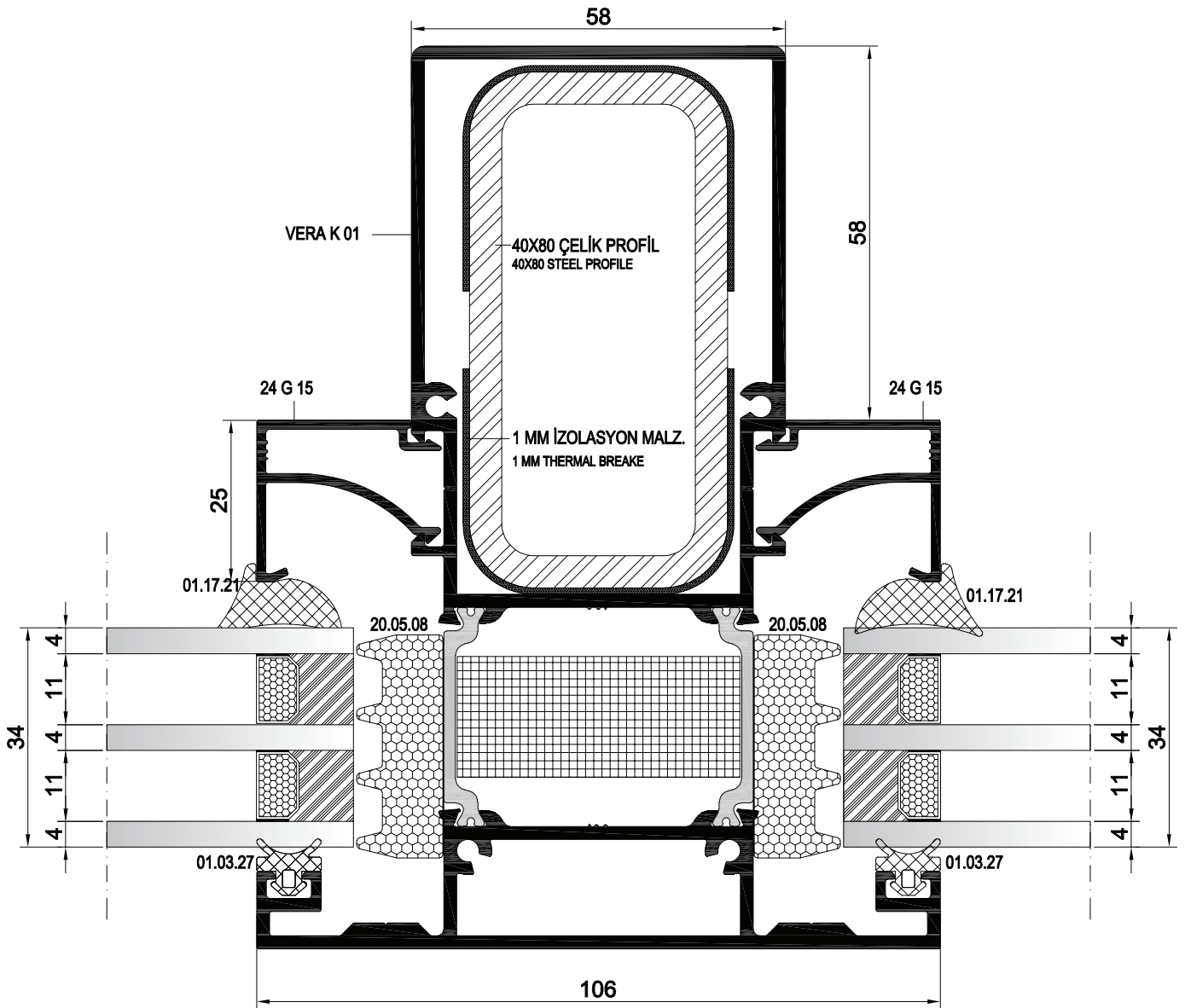
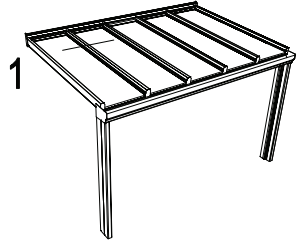


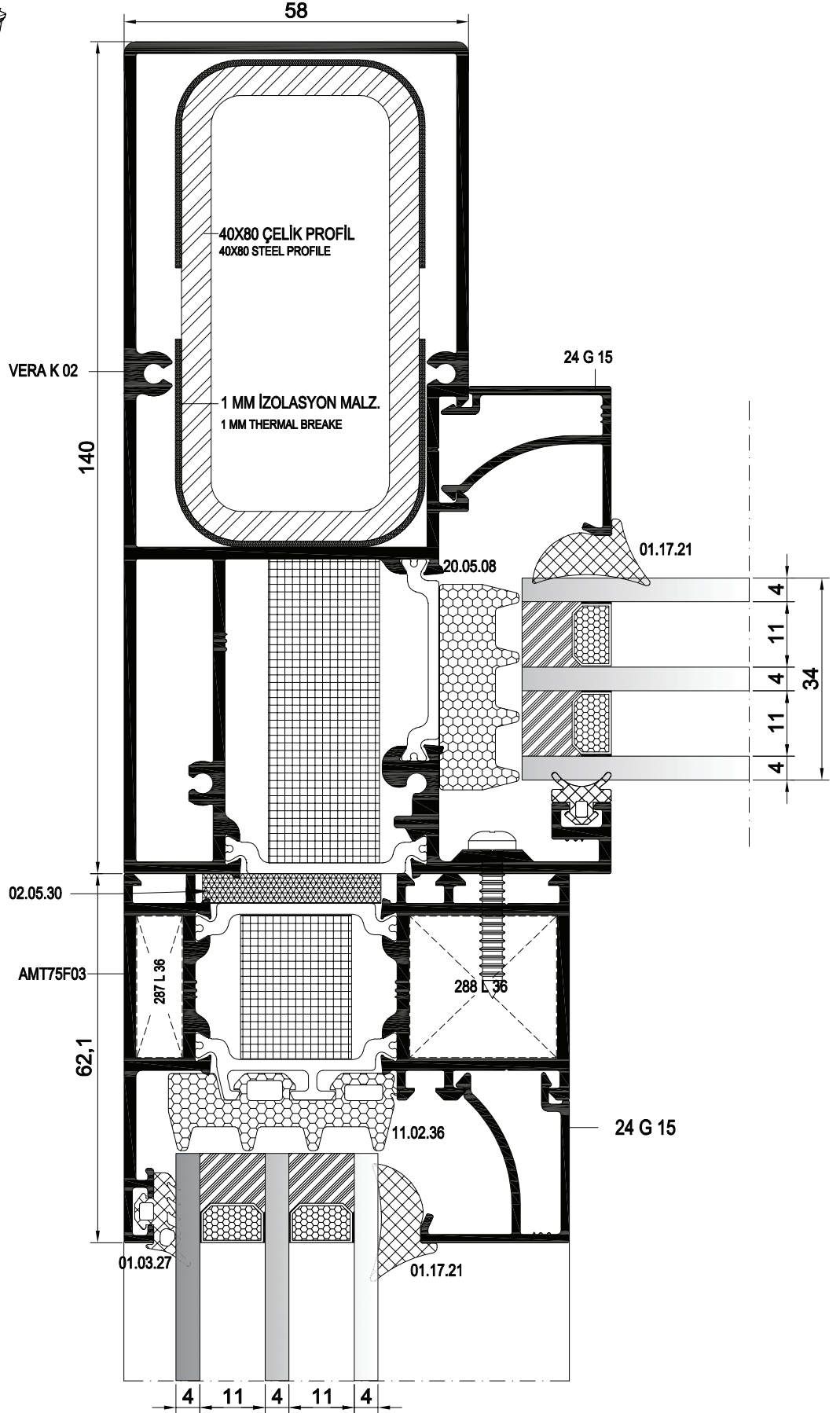
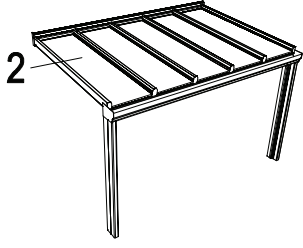
CAM MONTAJINDA SADECE BU SİSTEM İÇİN TASARLANAN VE ÜRETİLEN FİTİLLER KULLANILMALIDIR. FARKLI MALZEME KULLANIMLARI İŞLEVSEL VE TASARIMSAL SORUNLARA SEBEP OLABİLİR. THE GASKETS USED DURING INSTALLING THE GLASS SHOULD BE ONLY THE ONES CREATED FOR THIS SYSTEM. THE USE OF OTHER MATERIALS MAY CAUSE FUNCTIONAL AND DESIGN PROBLEMS.

YUKARIDAKİ TABLODA VERİLEN CAM-FİTİL VE PROFİL İLİŞKİSİ TEORİK OLUP PROFİL VE CAM TOLERANSLARINDAN KAYNAKLI ÖLÇÜ FARKLILIKLARI OLUŞABİLİR. THE RELATIONSHIP BETWEEN GLASS-GASKET AND PROFILE PROVIDED IN THE TABLE IS THEORETICAL. IT MAY OCCUR SIZE DIFFERENCES FROM THE TOLERANCES OF PROFILE AND GLASS.

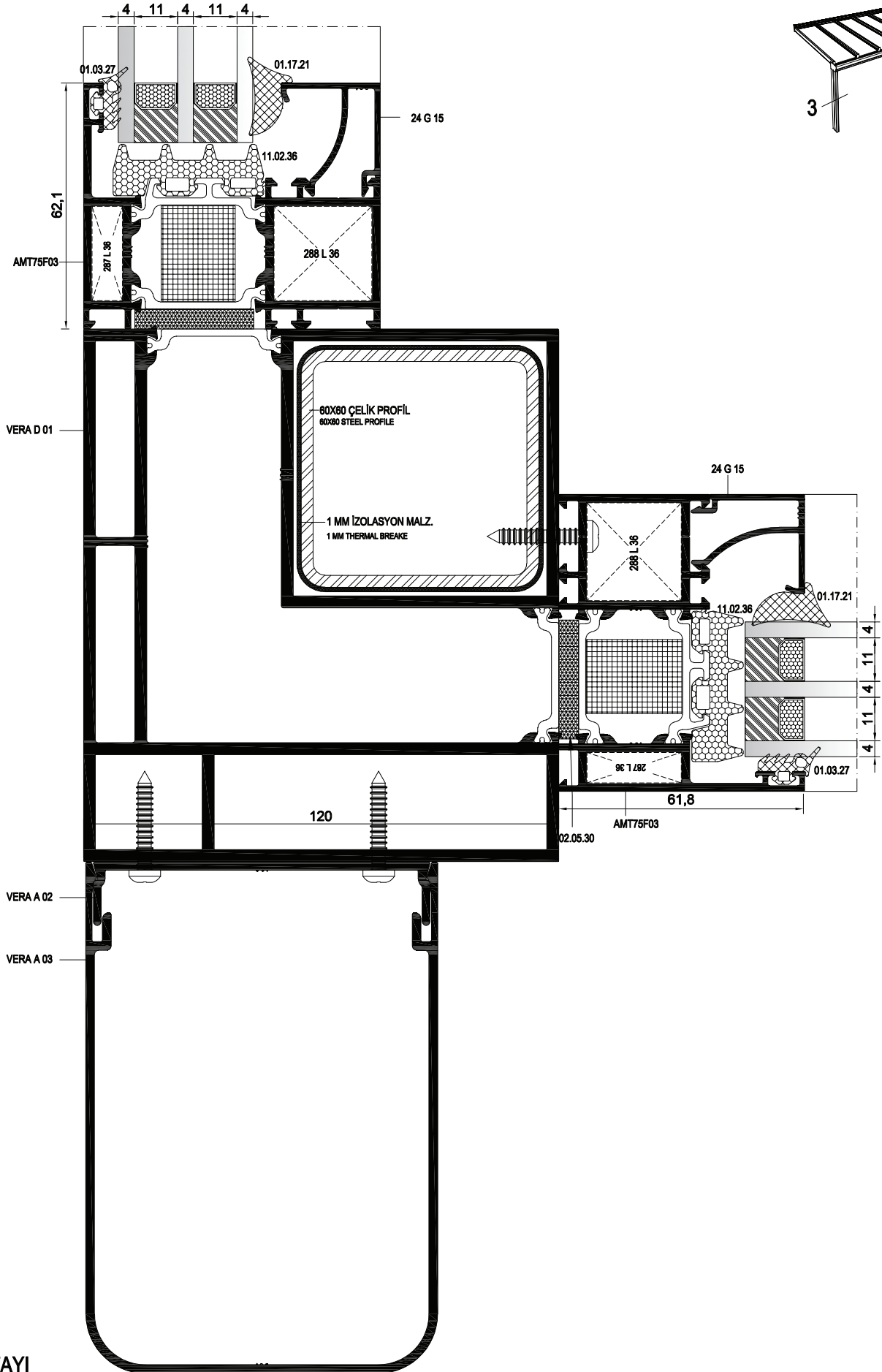
DETAYLAR

DETAILS

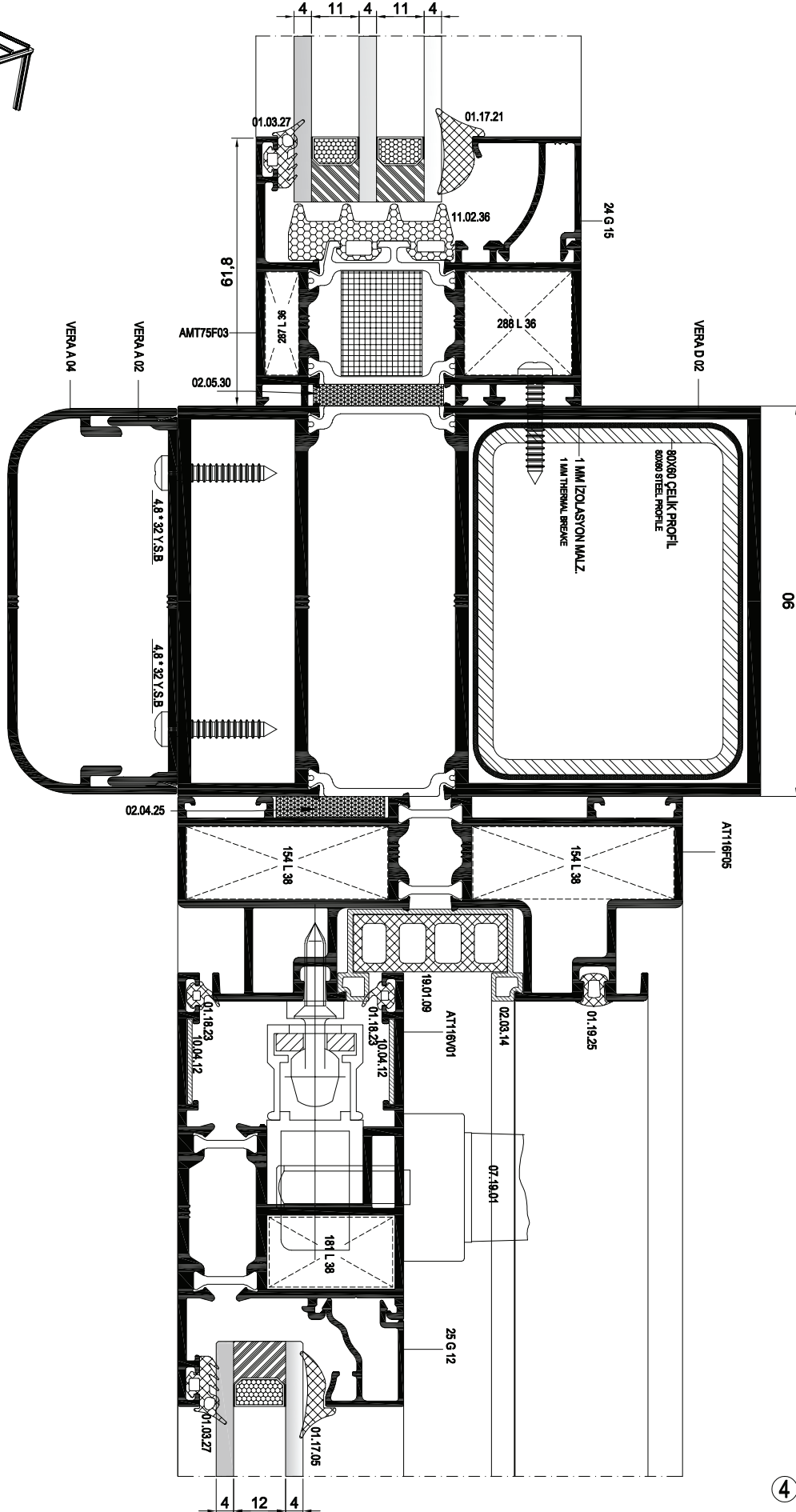
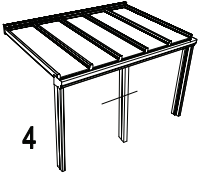




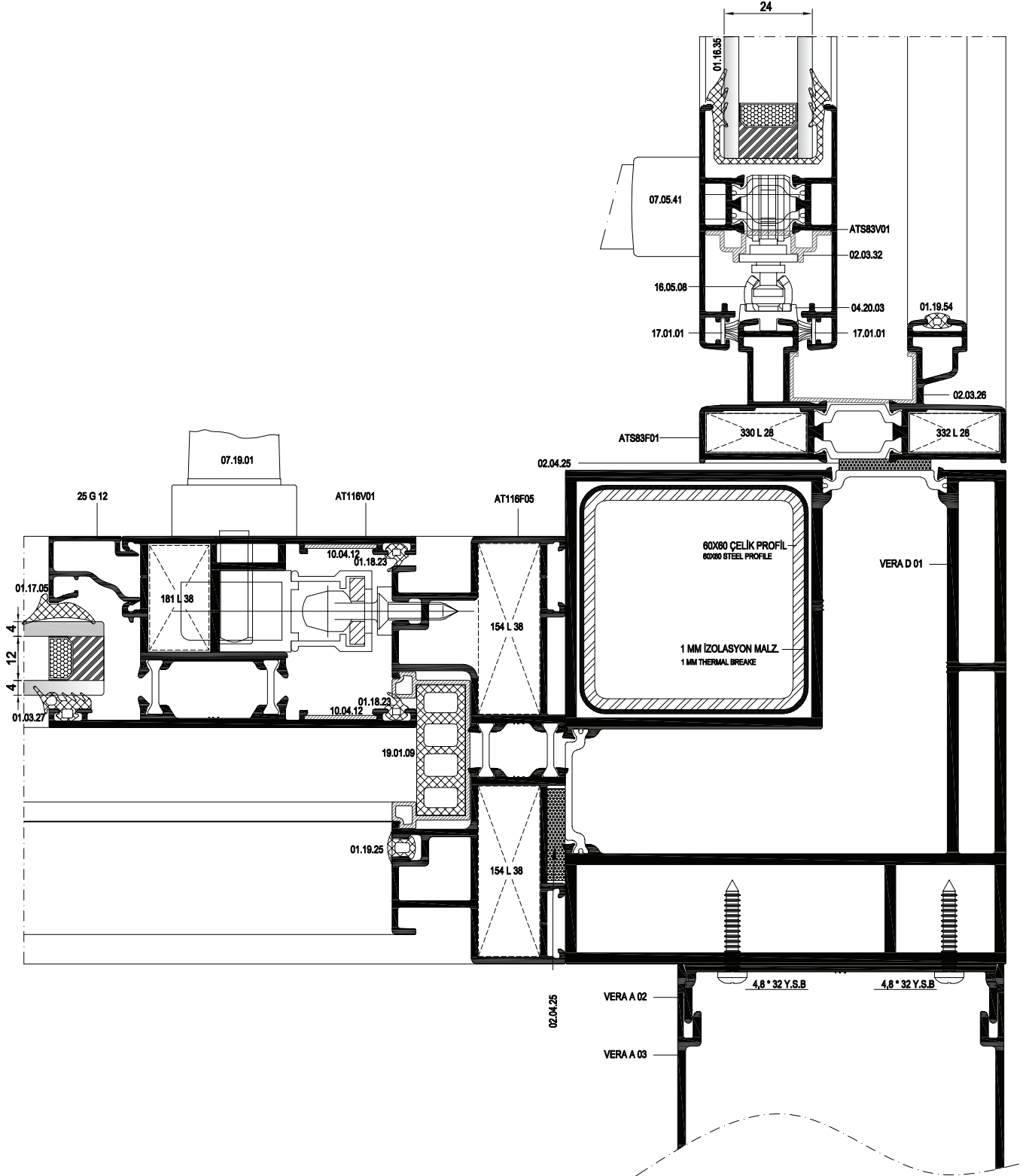
2 DETAYI
DETAIL



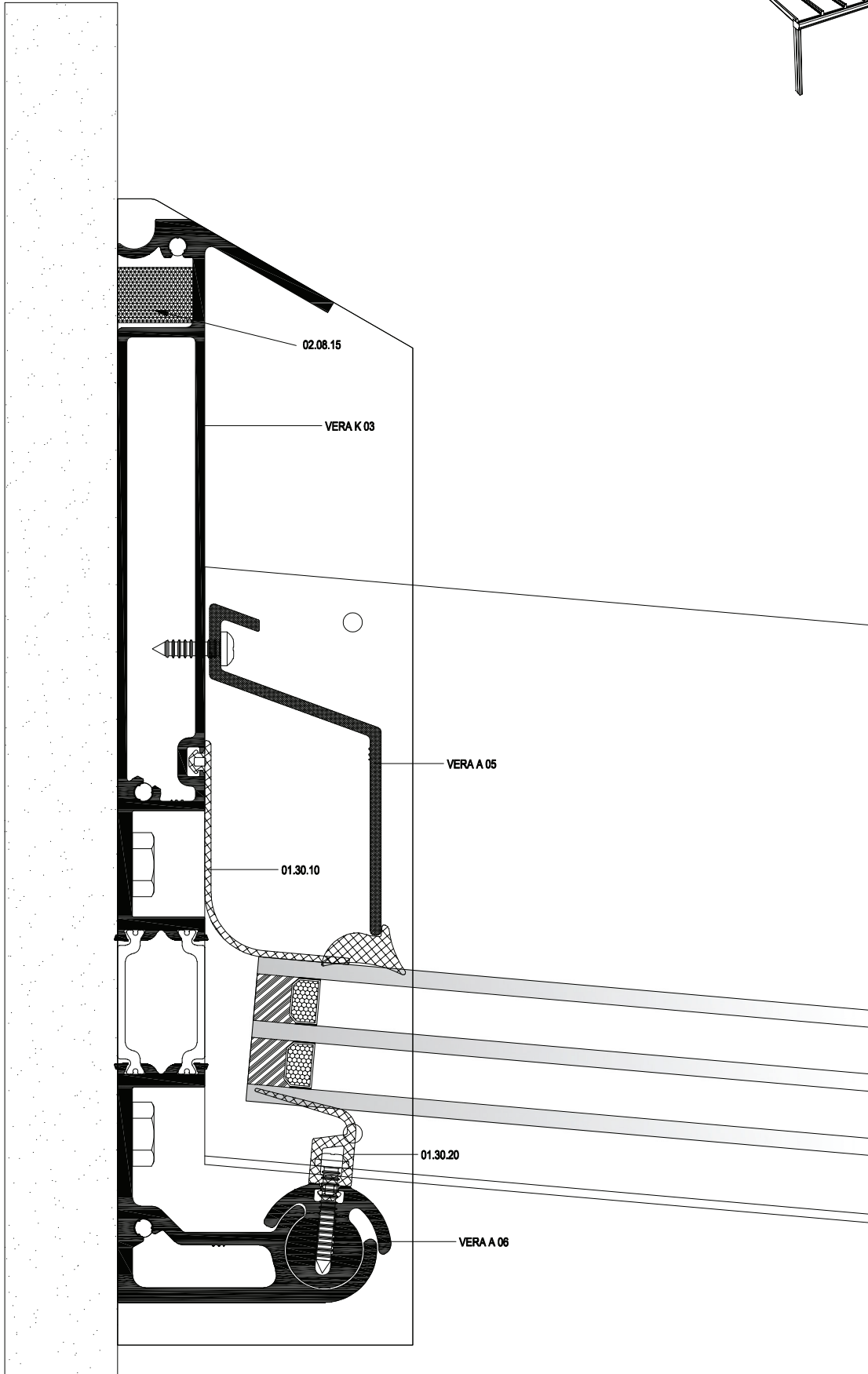
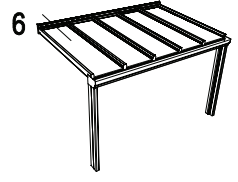
③ DETAYI
DETAIL



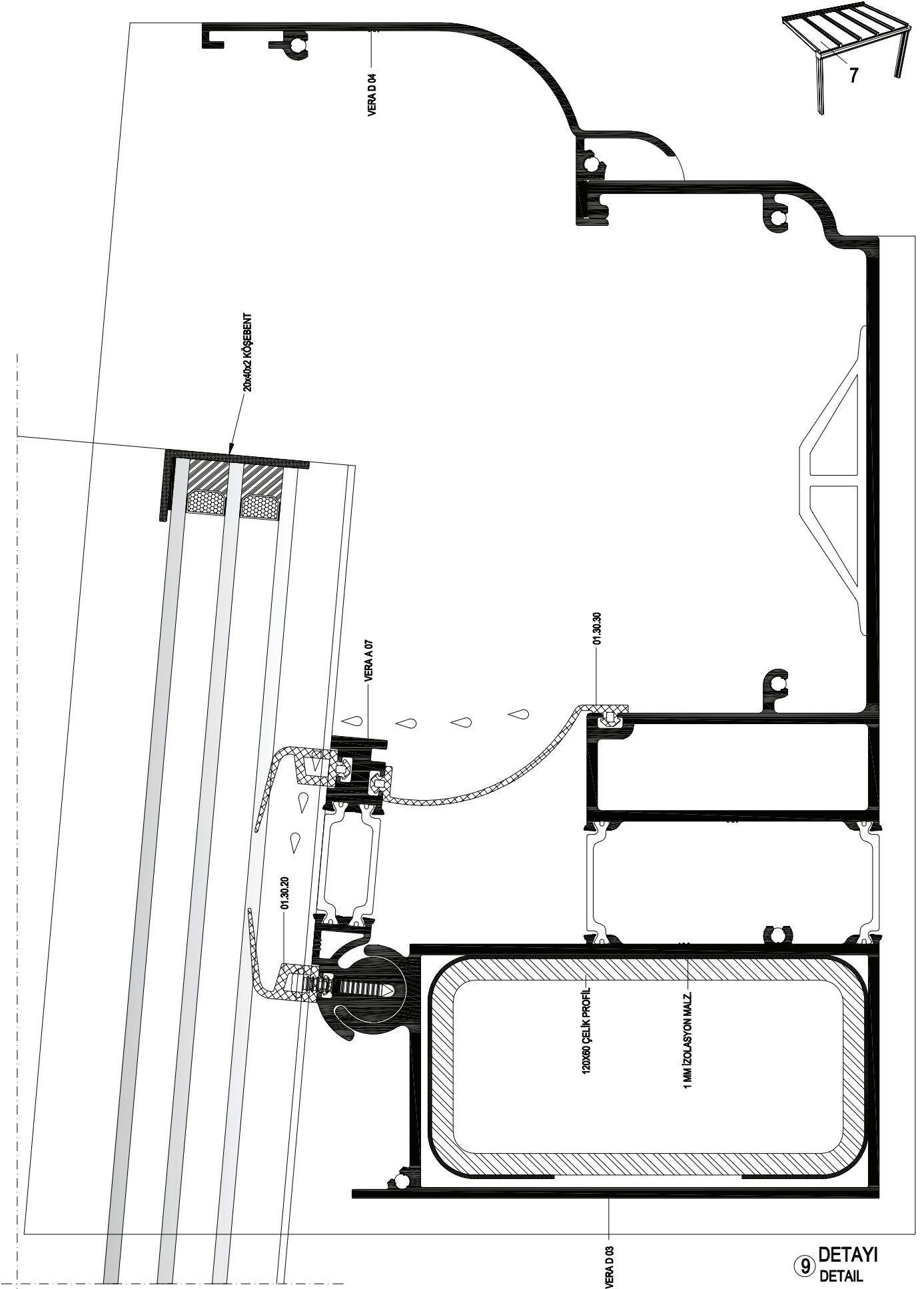
4 DETAYI
DETAIL



5 DETAYI
DETAIL


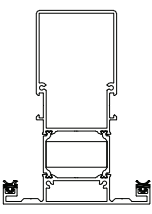
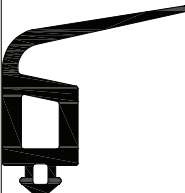
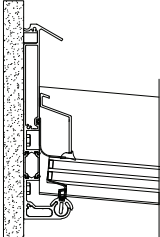

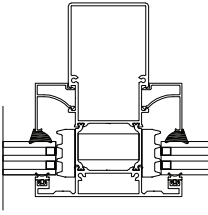
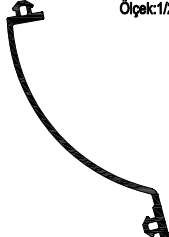
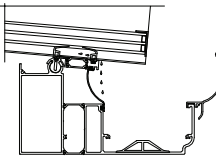

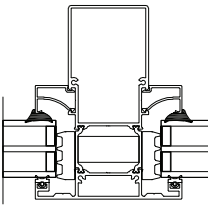

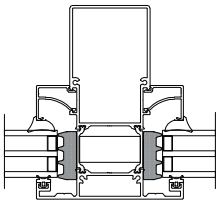

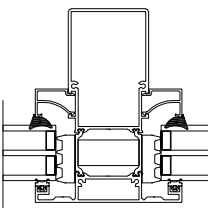
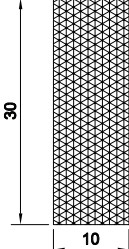


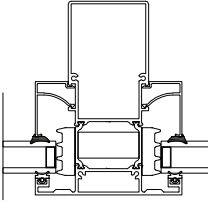
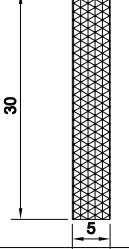


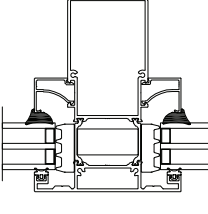
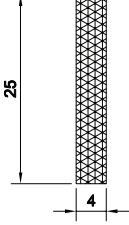


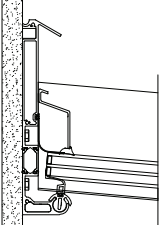
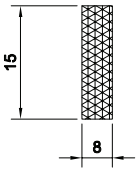



⑥ DETAYI
DETAIL

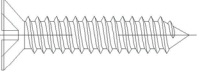
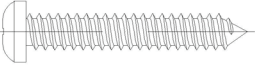
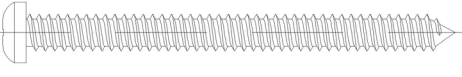

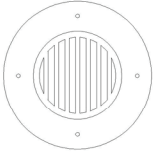
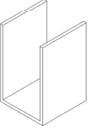
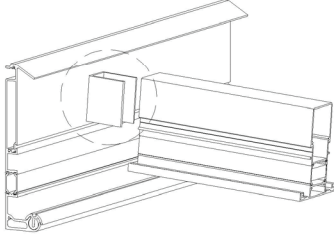
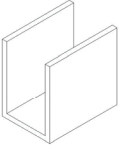

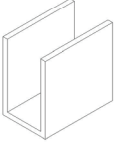
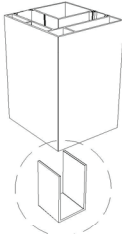


AKSESUARLAR

ACCESSORIES

	<p>01.03.27</p> <p>CAM FİTİLİ GLAZING GASKET</p> <p>Malzeme / Material : EPDM Ağırlık / Weight : 56 gr/m Paket / Package: 242 m / 15 kg</p>			<p>01.30.20</p> <p>CAM FİTİLİ GLAZING GASKET</p> <p>Malzeme / Material : EPDM Ağırlık / Weight : 172 gr/m Paket / Package: 87m / 15 kg</p>	
	<p>01.17.05</p> <p>İÇ CAM FİTİLİ 4,6 mm INSIDE GLAZING GASKET 4,6 mm</p> <p>Malzeme / Material : EPDM Ağırlık / Weight : 89 gr/m Paket / Package: 168 m / 15 kg</p>		<p>Ölçek:1/2</p> 	<p>01.30.30</p> <p>CAM FİTİLİ GLAZING GASKET</p> <p>Malzeme / Material : EPDM Ağırlık / Weight : 206 gr/m Paket / Package: 72 m / 15 kg</p>	
	<p>01.17.14</p> <p>İÇ CAM FİTİLİ INSIDE GLAZING GASKET</p> <p>Malzeme / Material : EPDM Ağırlık / Weight : 100 gr/m Paket / Package: 150 m / 15 kg</p>		<p>Ölçek:1/2</p> 	<p>20.05.08</p> <p>YALITIM ELEMANI INSULATION PIECE</p> <p>Malzeme / Material : EPDM KÖPÜK</p>	
	<p>01.17.15</p> <p>İÇ CAM FİTİLİ INSIDE GLAZING GASKET</p> <p>Malzeme / Material : EPDM Ağırlık / Weight : 118 gr/m Paket / Package: 127m / 15 kg</p>		<p>Ölçek:1/2</p> 	<p>02.10.30</p> <p>ŞİŞEN BANT COMPRIBAND</p> <p>Malzeme / Material : POLİÜRETAN 6-15 mm 1 Pk: 5,6 mt</p>	
	<p>01.17.20</p> <p>İÇ CAM FİTİLİ INSIDE GLAZING GASKET</p> <p>Malzeme / Material : EPDM Ağırlık / Weight : 52 gr/m Paket / Package: 288 m / 15 kg</p>		<p>Ölçek:1/2</p> 	<p>02.05.30</p> <p>ŞİŞEN BANT COMPRIBAND</p> <p>Malzeme / Material : POLİÜRETAN 6-15 mm 1 Pk: 5,6 mt</p>	
	<p>01.17.21</p> <p>İÇ CAM FİTİLİ INSIDE GLAZING GASKET</p> <p>Malzeme / Material : EPDM Ağırlık / Weight : 155 gr/m Paket / Package: 96 m / 15 kg</p>		<p>Ölçek:1/2</p> 	<p>02.04.25</p> <p>ŞİŞEN BANT COMPRIBAND</p> <p>Malzeme / Material : POLİÜRETAN 6-15 mm 1Pk: 8 mt</p>	
<p>Ölçek:1/2</p> 	<p>01.30.10</p> <p>SIZDIRMAZLIK FİTİLİ SEALING GASKET</p> <p>Malzeme / Material : EPDM Ağırlık / Weight : 181 gr/m Paket / Package: 82m / 15 kg</p>		<p>Ölçek:1/2</p> 	<p>02.08.15</p> <p>ŞİŞEN BANT COMPRIBAND</p> <p>Malzeme / Material : POLİÜRETAN 18-25 mm 1 Pk: 8 mt</p>	

	<p>14.20.10</p> <p>YAN KAPAK CAP</p> <p>Malzeme / Material : Alu. Kalınlık / Thickness : 3mm</p>	
	<p>14.20.20A</p> <p>YAN KAPAK CAP</p> <p>Malzeme / Material : Alu. Kalınlık / Thickness : 3mm</p>	
	<p>14.20.20B</p> <p>YAN KAPAK CAP</p> <p>Malzeme / Material : Alu. Kalınlık / Thickness : 3mm</p>	
	<p>14.20.30A</p> <p>YAN KAPAK CAP</p> <p>Malzeme / Material : Alu. Kalınlık / Thickness : 3mm</p>	
	<p>14.20.30B</p> <p>YAN KAPAK CAP</p> <p>Malzeme / Material : Alu. Kalınlık / Thickness : 3mm</p>	
	<p>14.20.40A</p> <p>YAN KAPAK CAP</p> <p>Malzeme / Material : Alu. Kalınlık / Thickness : 3mm</p>	
	<p>14.20.40B</p> <p>YAN KAPAK CAP</p> <p>Malzeme / Material : Alu. Kalınlık / Thickness : 3mm</p>	

	4,2x25 YHB VİDA 1 PK/1PCK : 1000AD/1000 PCS			
	4,8x32 YSB VİDA 1 PK/1PCK : 1000AD/1000 PCS			
	4,8x60 YSB VİDA 1 PK/1PCK : 1000AD/1000 PCS			
 ÖLÇEK:1/2 SCALE:1/2	KLİPSLİ ÇELİK DÜBEL 1 PK/1PCK : 100AD/100 PCS 10X110 MM			
	DERE SÜZGEÇİ RAIN FİLTİR			
	05.42.60 U BAĞLANTI CONNECTION PIECES Malzeme / Material : Alu. Kalınlık / Thickness : 3mm			
	05.83.100 U BAĞLANTI CONNECTION PIECES Malzeme / Material : Alu. Kalınlık / Thickness : 3mm			
	05.63.100 U BAĞLANTI CONNECTION PIECES Malzeme / Material : Alu. Kalınlık / Thickness : 3mm			

Renksan *Ada*

Renksan *Ada*
Alüminyum Profil Statik Boya ve San. Tic. Ltd. Şti.

SAKARYA

Hanlıköy mah. D-100 Karayolu Cad.No:470,
54580 Arifiye/Sakarya
0264 291 53 54 | +90 543 266 66 24
info@renksanada.com

İSTANBUL

Saray Mah, Site Yolu Cd No:16, 34768
Ümraniye/İstanbul
444 85 32
renksan@renksanaluminyum.com