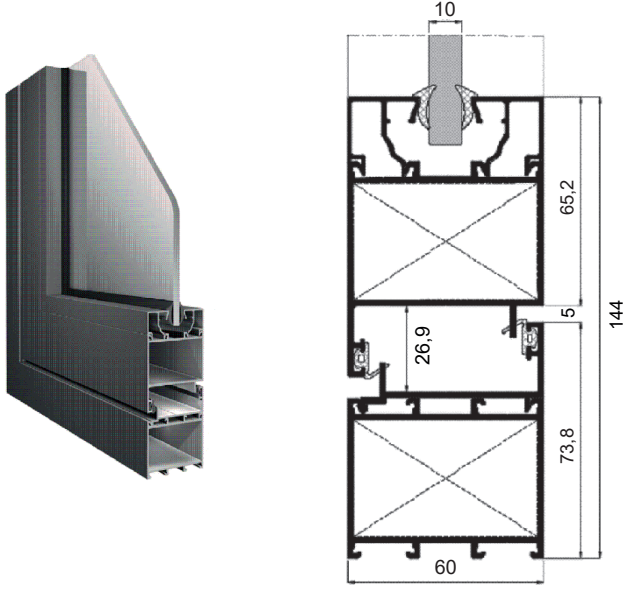


MİMARİ KATALOG
ARCHITECTURAL CATALOGUE

Alüminyum Kapı Pencere ve Giydirme Cephe Sistemleri
Aluminium Door Window and Facade Systems



RW60



TEKNİK ÖZELLİKLER / TECHNICAL PROPERTIES

KASA DERİNLİĞİ / <i>FRAME DEPTH</i>	60 mm
KANAT DERİNLİĞİ / <i>VENT DEPTH</i>	60 mm
PROFİL ET KALINLIĞI / <i>PROFILE WALL THICKNESS</i>	1,4 / 1,6 mm
MAKS. CAM KALINLIĞI / <i>MAX. GLASS THICKNESS</i>	36 mm

KULLANIM SEÇENEKLERİ / APPLICATION ALTERNATIVES

	KAPI DOOR	PENCERE WINDOW
İÇE AÇILIR HEMYÜZ KAPI / <i>INWARD OPENING COPLANAR DOOR</i>	•	
DIŞA AÇILIR HEMYÜZ KAPI / <i>OUTWARD OPENING COPLANAR DOOR</i>	•	
ÇARPMA KAPI / <i>SWINGING DOOR</i>	•	

MİMARİ KATALOG ARCHITECTURAL CATALOGUE

Alüminyum Kapı Pencere ve Giydirme Cephe Sistemleri
Aluminium Door Window and Facade Systems

RW60

PROFİLLER

PROFILES

01

02

03

04

05

06

07

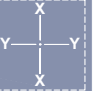
08

09

10

11

12

KOD / CODE	AĞIRLIK (kg/m) / WEIGHT	Jxx cm ⁴	Jyy cm ⁴	L m	
RW60 F 02	1,102	20,215	13,491	6	
RW60 F 06	0,997	18,287	12,290	6	

01

02

03

04

05

06

07

08

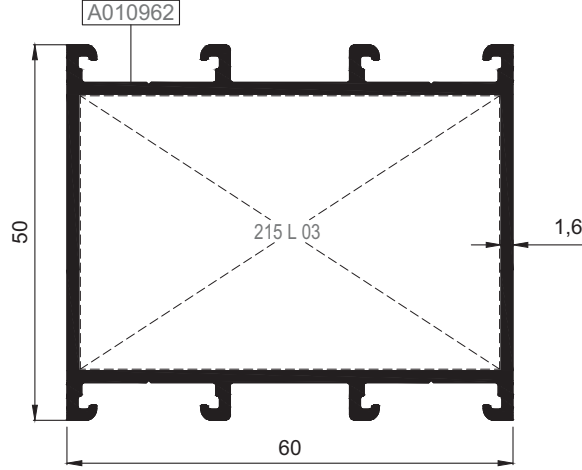
09

10

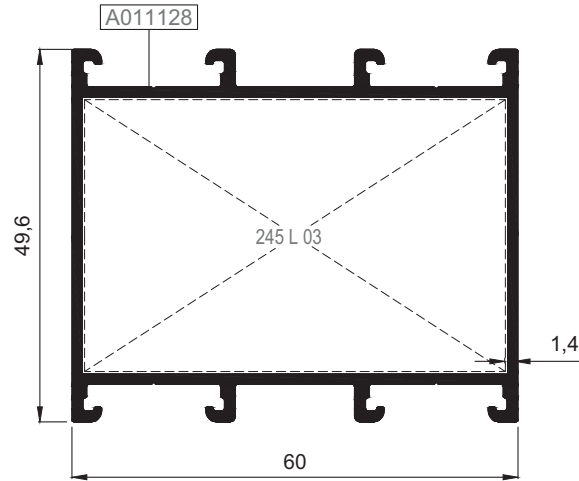
11

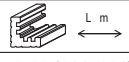

12

RW60 F 02



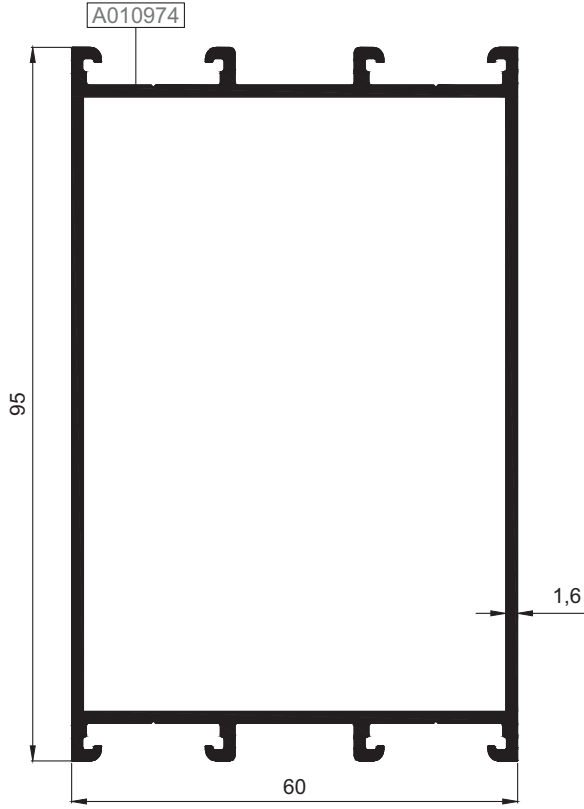
RW60 F 06



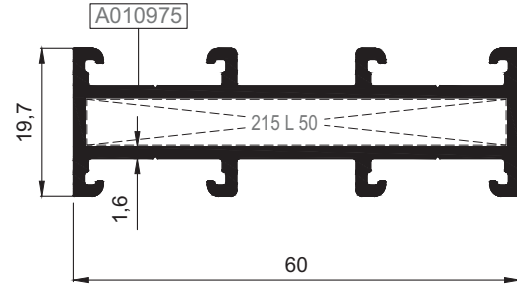
Nr		 L m	KESİM ÖLÇÜSÜ CUTTING SIZE	 AKS. KODU ACS. CODE
RW60 F 02	A010962	25 L 03 (A002021)	56,5 mm	215 L 03
RW60 F 06	A011128	25 L 03 (A002021)	56,8 mm	245 L 03

KOD / CODE	AĞIRLIK (kg/m) / WEIGHT	Jxx cm ⁴	Jyy cm ⁴	L m	
RW60 F 03	1,492	32,496	67,929	6	
RW60 F 04	0,839	11,946	0,923	6	
RW60 F 05	1,912	128,959	27,984	6	

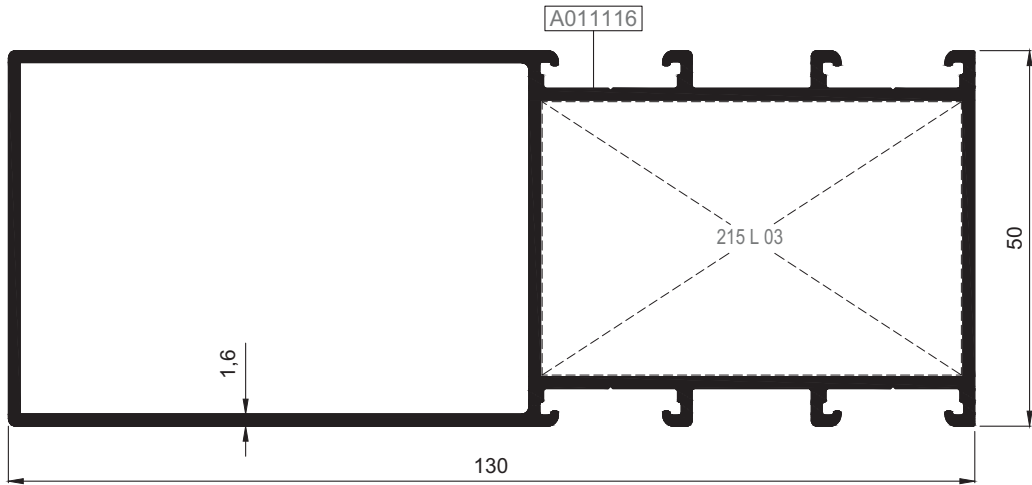
RW60 F 03



RW60 F 04



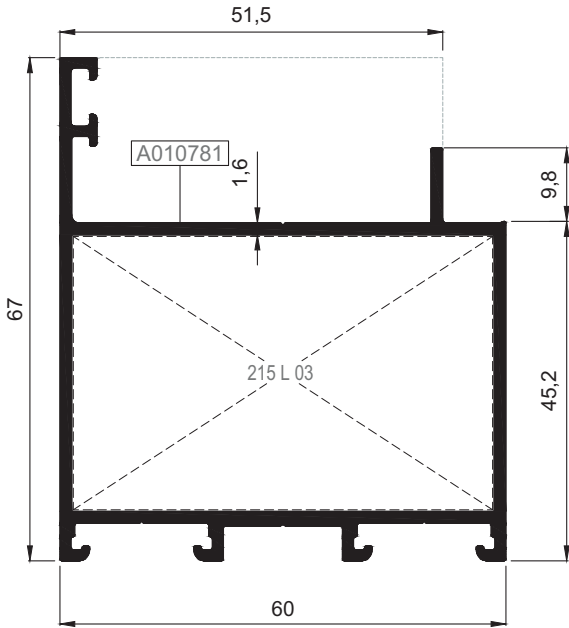
RW60 F 05



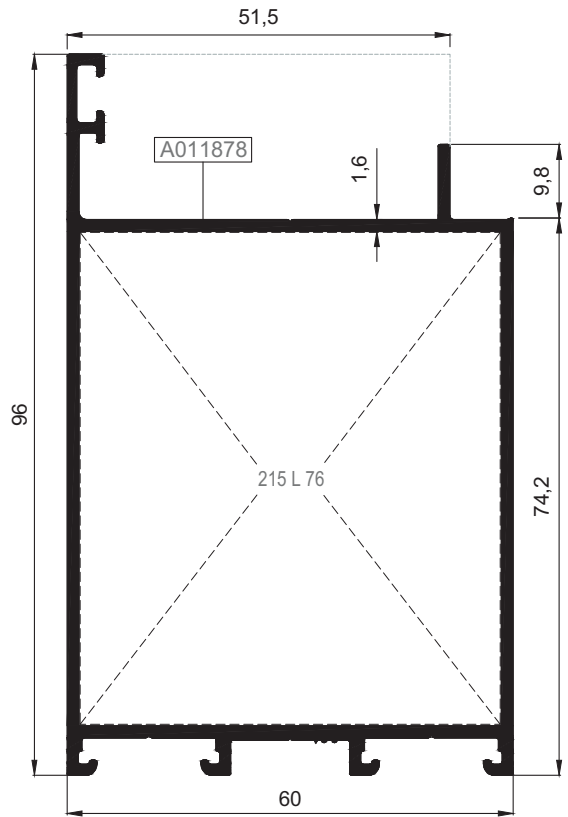
Nr		L m	KEŞİM ÖLÇÜSÜ CUTTING SIZE	AKS. KODU ACS. CODE
RW60 F 04	A010975	25 L 50 (A010838)	56,5 mm	215 L 50
RW60 F 05	A011116	25 L 03 (A002021)	56,5 mm	215 L 03

KOD / CODE	AĞIRLIK (kg/m) / WEIGHT	Jxx cm ⁴	Jyy cm ⁴	L m	
RW60 V 01	1,162	22,715	18,319	6	
RW60 V 03	1,047	20,198	15,788	6	
RW60 V 04	1,409	49,740	30,233	6	

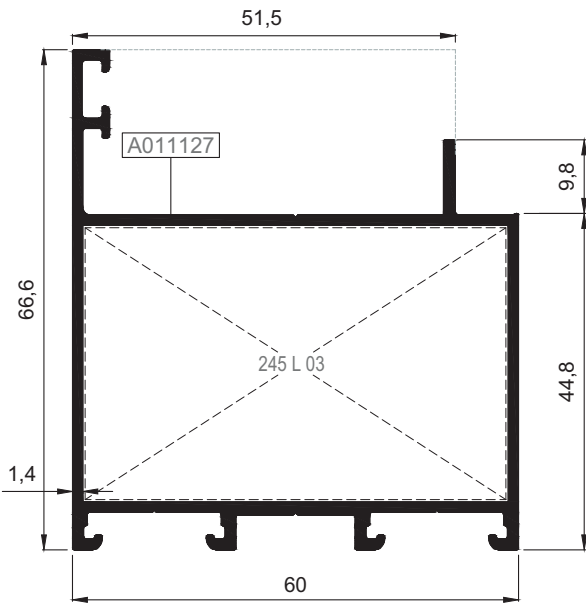
RW60 V 01



RW60 V 04



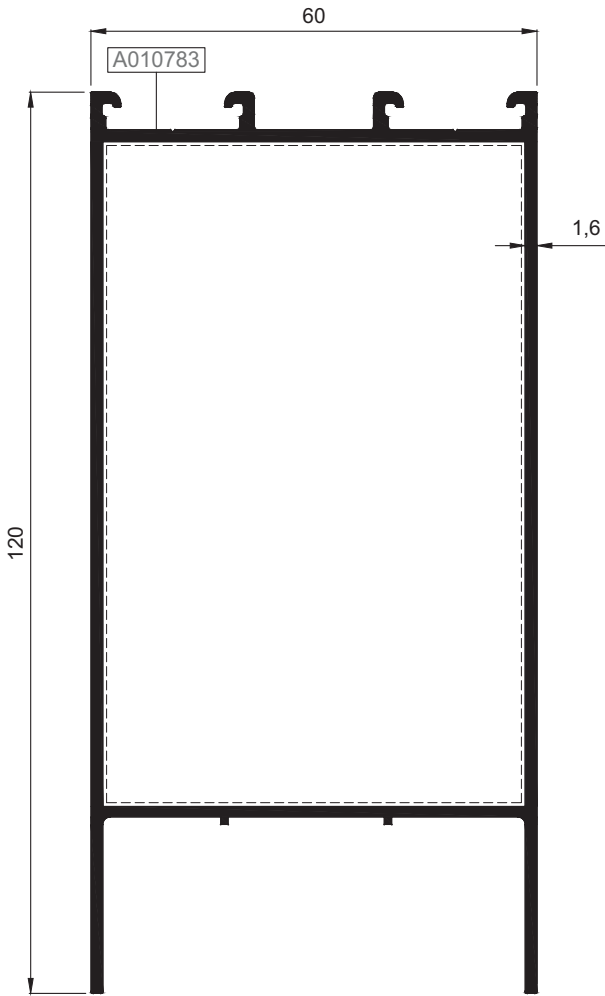
RW60 V 03



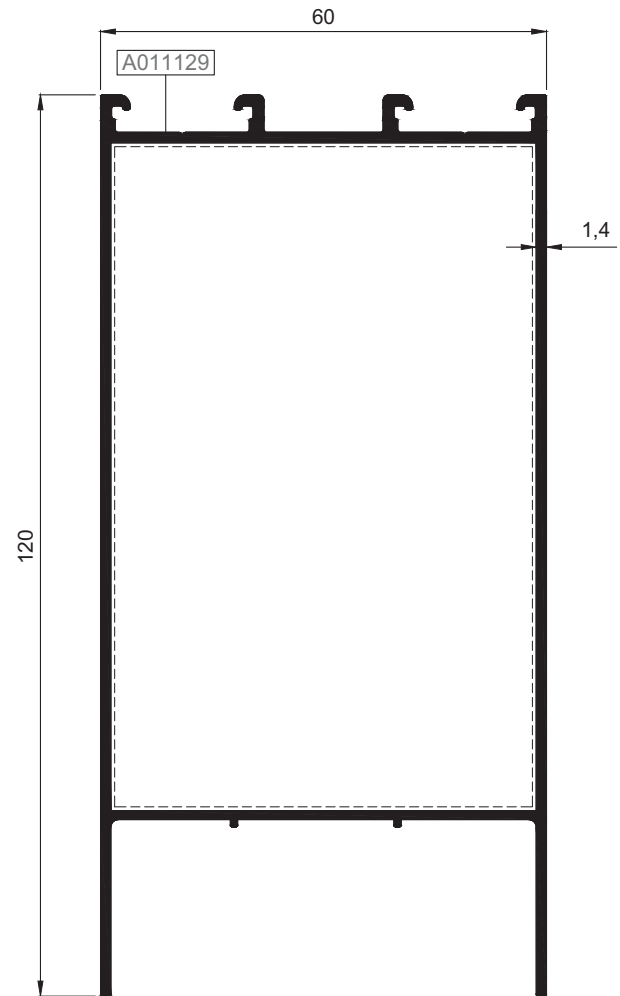
Nr		L m	KESİM ÖLÇÜSÜ CUTTING SIZE	AKS. KODU ACS. CODE
RW60 V 01	A010781	25 L 03 (A002021)	56,5 mm	215 L 03
RW60 V 03	A011127	25 L 03 (A002021)	56,8 mm	245 L 03
RW60 V 04	A011878	25 L 76 (A011915)	56,5 mm	215 L 76

KOD / CODE	AĞIRLIK (kg/m) / WEIGHT	Jxx cm ⁴	Jyy cm ⁴	L m	
RW60 K 01	1,597	38,220	91,648	6	
RW60 K 02	1,414	33,947	81,855	6	

RW60 K 01



RW60 K 02



01

02

03

04

05

06

07

08

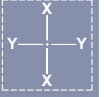
09

10

11

12

KOD / CODE	AĞIRLIK (kg/m) / WEIGHT	Jxx cm ⁴	Jyy cm ⁴	L m
RW60 K 03	1,741	42,069	124,474	6
RW60 A 01	0,431	----	----	6
RW60 A 04	1,166	----	----	6
RW60 A 05	0,706	----	----	6
RW60 A 06	0,576	----	----	6
RW60 A 09	0,301	----	----	6
T55 A 13	0,220	----	----	6



01

02

03

04

05

06

07

08

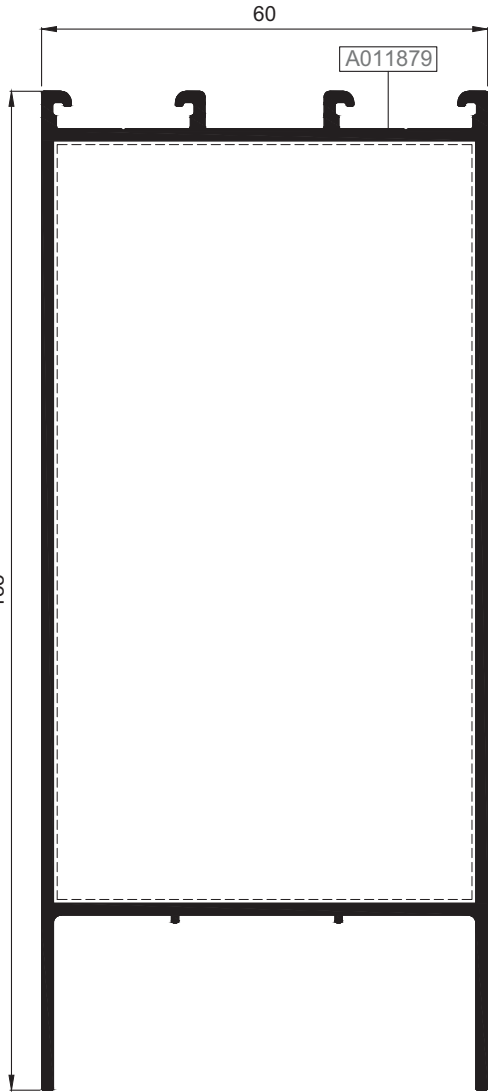
09

10

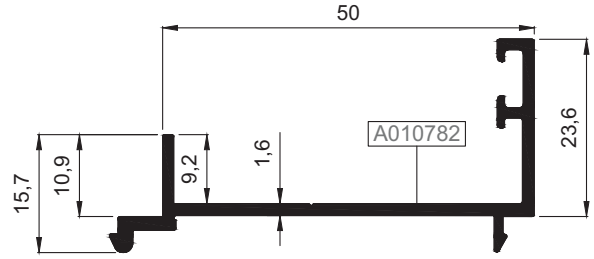
11

12

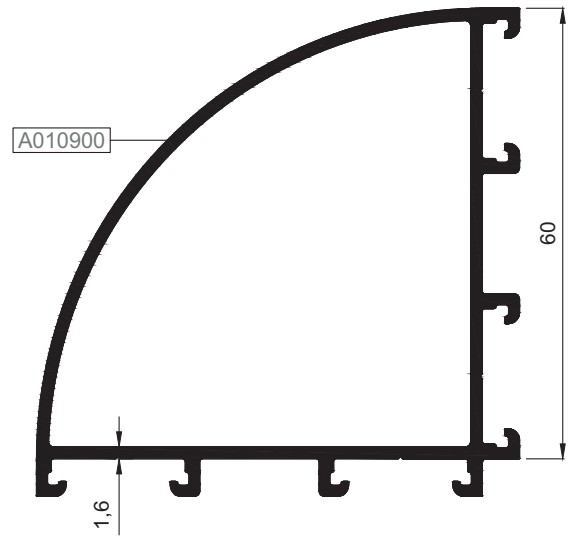
RW60 K 03



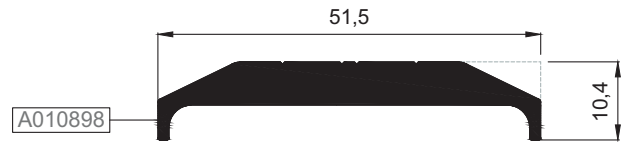
RW60 A 01



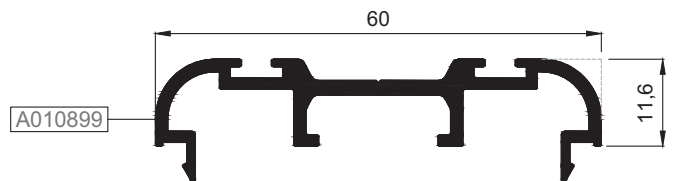
RW60 A 04



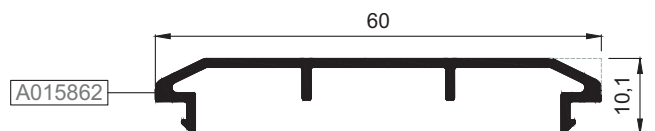
RW60 A 05



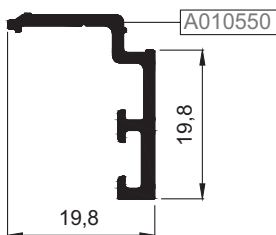
RW60 A 06



RW60 A 09



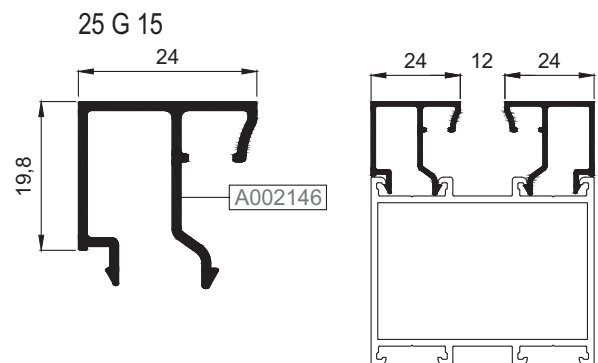
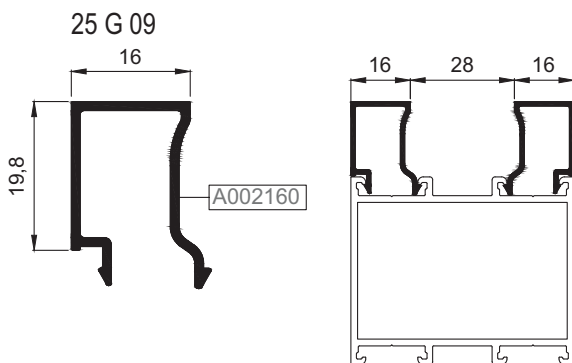
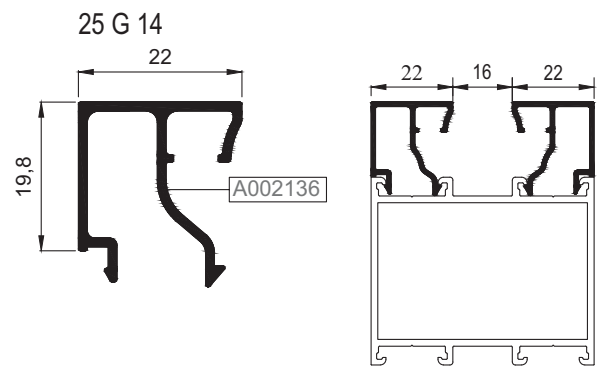
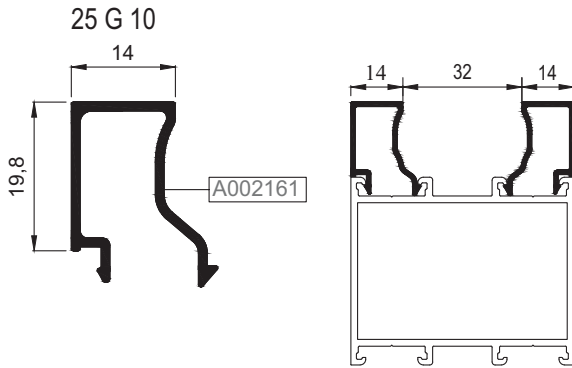
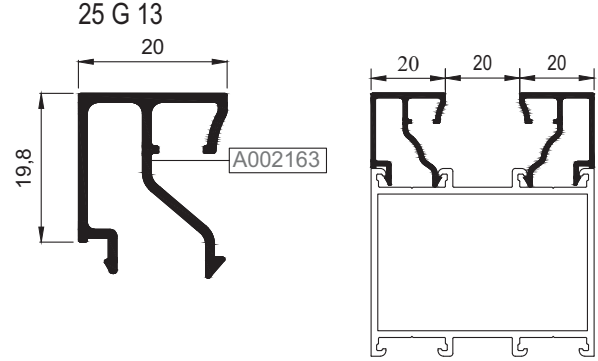
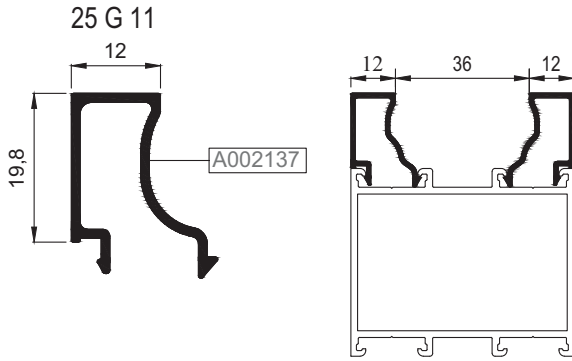
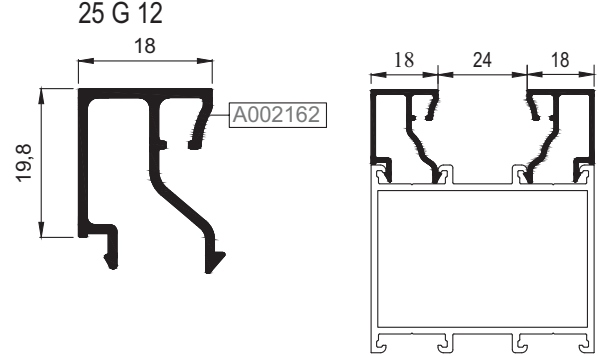
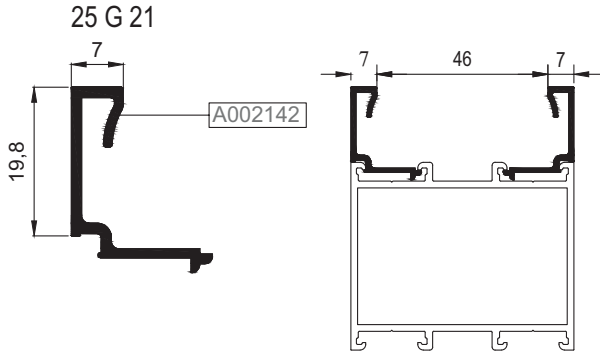
T55 A 13



KOD / CODE	AĞIRLIK (kg/m) / WEIGHT	L m	KOD / CODE	AĞIRLIK (kg/m) / WEIGHT	L m
25 G 21	0,196	6	25 G 13	0,278	6
25 G 11	0,224	6	25 G 14	0,280	6
25 G 10	0,225	6	25 G 15	0,282	6
25 G 09	0,229	6	25 G 16	0,285	6
25 G 12	0,270	6	25 G 17	0,289	6



- 01
- 02
- 03
- 04
- 05
- 06
- 07
- 08
- 09
- 10
- 11
- 12



KOD / CODE	AĞIRLIK (kg/m) / WEIGHT	L m	KOD / CODE	AĞIRLIK (kg/m) / WEIGHT	L m
25 G 30	0,229	6			
25 G 31	0,209	6			



01

02

03

04

05

06

07

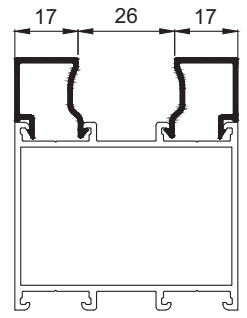
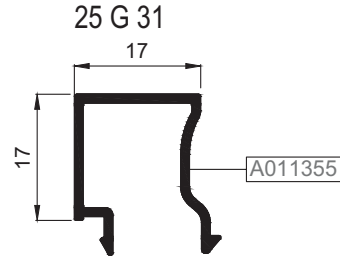
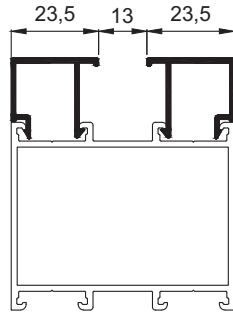
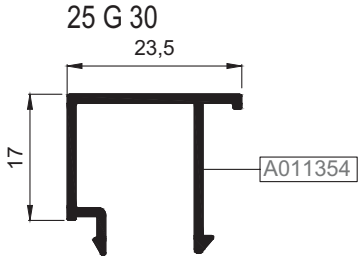
08

09

10



11


12



PROFİL KODU (PROFILE CODE)	25 L 03	25 L 50	25 L 76	
FABRİKA KODU(FACTORY CODE)	A002021	A010838	A011915	
AĞIRLIK (WEIGHT)	4,315 kg/m	1,748 kg/m	9,507 kg/m	
ÇİZİM (DRAWING)				

PROFİL KODU (PROFILE CODE)	RW60 A 08			
FABRİKA KODU(FACTORY CODE)	A010976			
AĞIRLIK (WEIGHT)	0,967 kg/m			
ÇİZİM (DRAWING)				

KÖŞE TAKOZLARI (CORNER CLEAT)				
Nr		 L m	KESİM ÖLÇÜSÜ CUTTING SIZE	 AKS. KODU ACS. CODE
RW60 F 02	A010962	25 L 03 (A002021)	56,5 mm	215 L 03
RW60 F 04	A010975	25 L 50 (A010838)	56,5 mm	215 L 50
RW60 F 05	A011116	25 L 03 (A002021)	56,5 mm	215 L 03
RW60 F 06	A011128	25 L 03 (A002021)	56,8 mm	245 L 03
RW60 V 01	A010781	25 L 03 (A002021)	56,5 mm	215 L 03
RW60 V 03	A011127	25 L 03 (A002021)	56,8 mm	245 L 03
RW60 V 04	A011878	25 L 76 (A011915)	56,5 mm	215 L 76

ORTA KAYIT BAĞLANTI (MULLION CONNECTION PIECE)				
Nr		 L m	KESİM ÖLÇÜSÜ CUTTING SIZE	
RW60 F 02	A010962	RW60 A 08 (A010976)	36,5 mm	
RW60 F 03	A010974	RW60 A 08 (A010976)	81,5 mm	
RW60 F 04	A010975	RW60 A 08 (A010976)	6,2 mm	
RW60 F 05	A011116	RW60 A 08 (A010976)	36,5 mm	
RW60 F 06	A011128	RW60 A 08 (A010976)	36,5 mm	
RW60 K 01	A010783	RW60 A 08 (A010976)	88,2 mm	
RW60 K 02	A011129	RW60 A 08 (A010976)	88,6 mm	
Rw60 K 03	A011879	RW60 A 08 (A010976)	101,1 mm	

STOKTA BULUNAN SİSTEM PROFİLLERİNİN LİSTESİ
(LIST OF SYSTEM PROFILES IN STOCK)

Nr		MIN. SİPARİŞ MİKTARI MIN. ORDER QUANTITY
RW60 F 02	A010962	75 kg
RW60 F 03	A010974	75 kg
RW60 F 04	A010975	75 kg
RW60 F 06	A011128	75 kg
RW60 V 01	A010781	75 kg
RW60 V 03	A011127	75 kg
RW60 K 01	A010783	75 kg
RW60 K 02	A011129	75 kg
RW60 A 01	A010782	75 kg
RW60 A 04	A010900	75 kg
RW60 A 05	A010898	75 kg
RW60 A 06	A010899	75 kg
RW60 A 08	A010976	75 kg

* STOKTA BULUNMAYAN TÜM PROFİLLER İÇİN MİNİMUM SİPARİŞ MİKTARI 300 KG'DİR.
MINIMUM ORDER QUANTITY FOR ALL THE PROFILES THAT ARE NOT IN STOCK IS 300 KG.

MİMARİ KATALOG ARCHITECTURAL CATALOGUE

Alüminyum Kapı Pencere ve Giydirme Cephe Sistemleri
Aluminium Door Window and Facade Systems

RW60

DETAYLAR

DETAILS

01

02

03

04

05

06

07

08

09

10

11

12

01

02

03

04

05

06

07

08

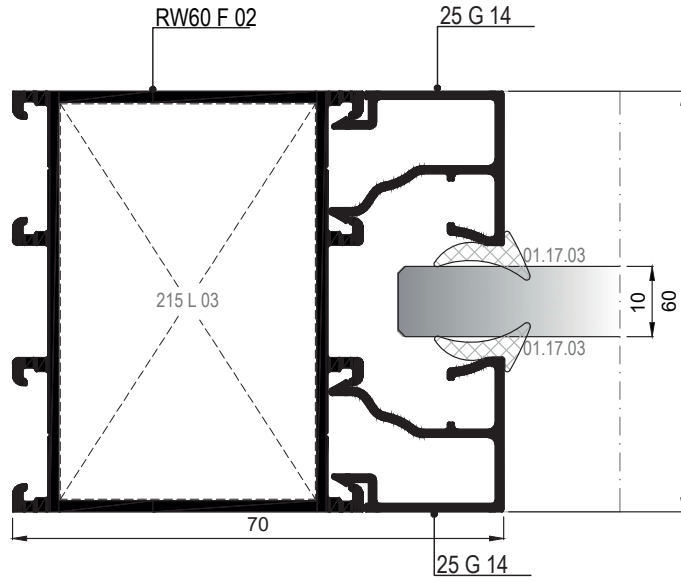
09

10

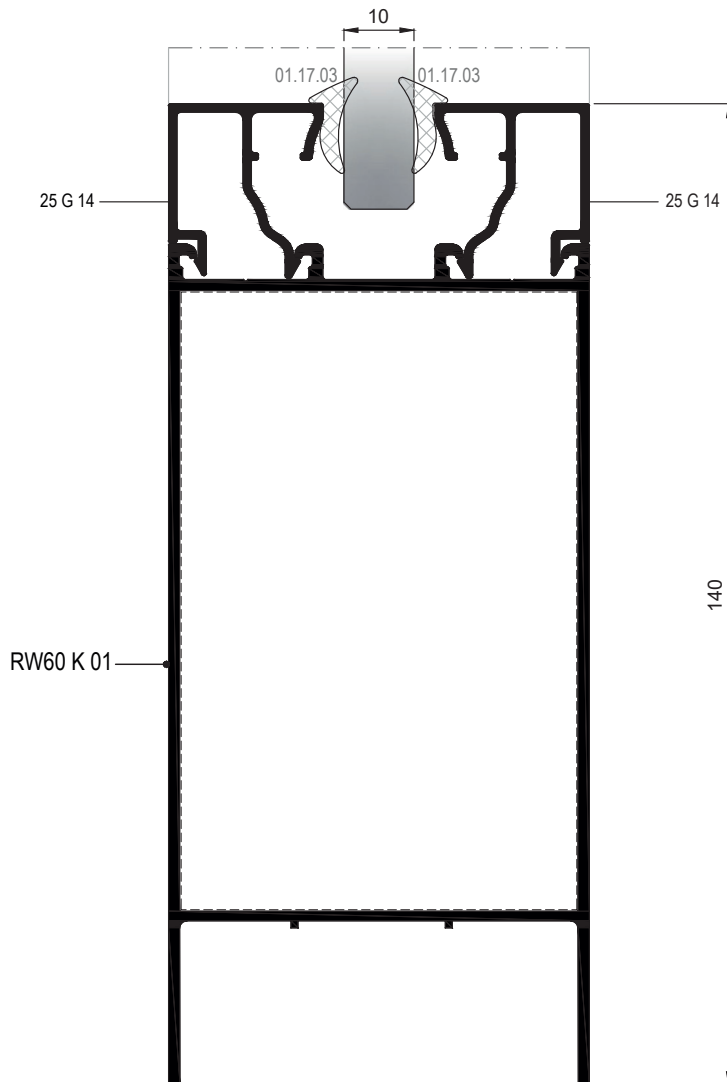
11

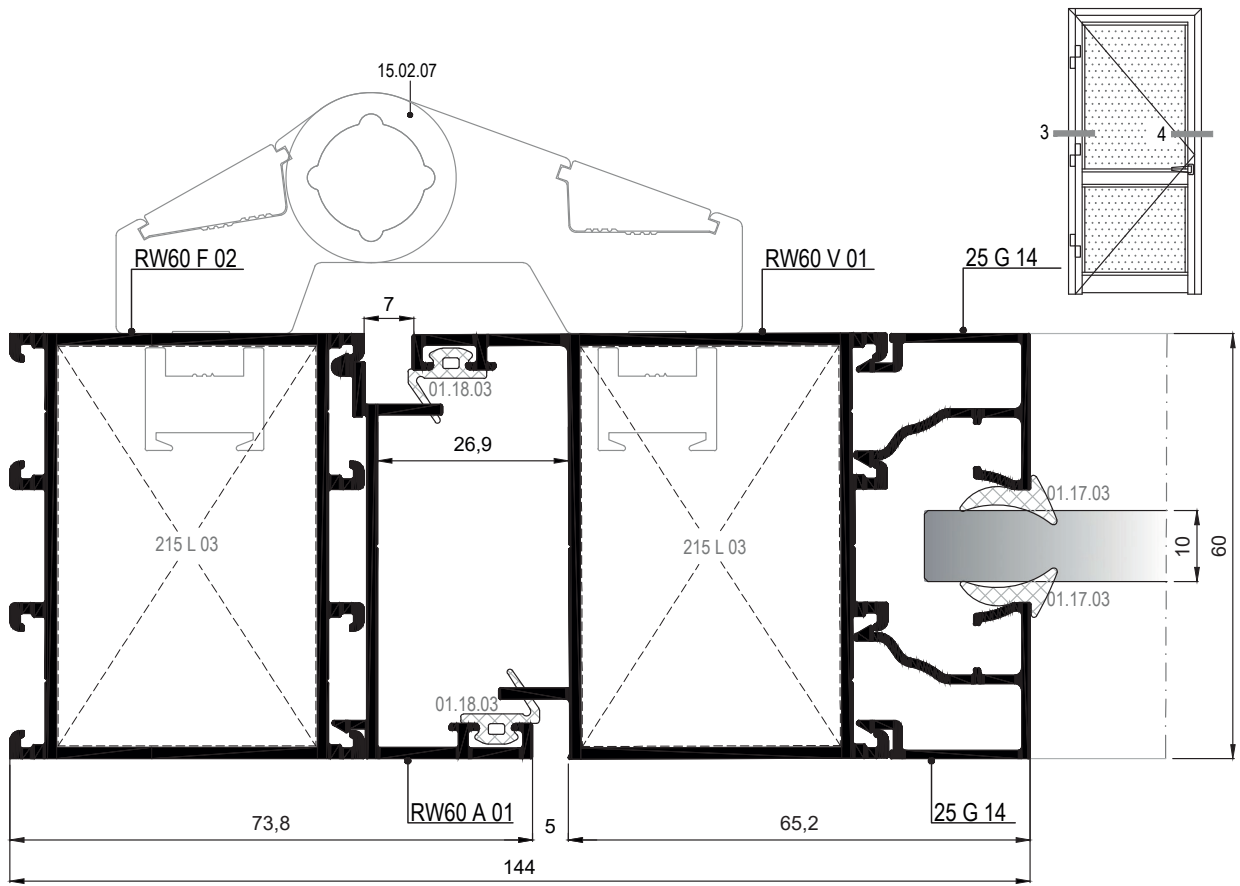
12

① DETAYI
DETAIL

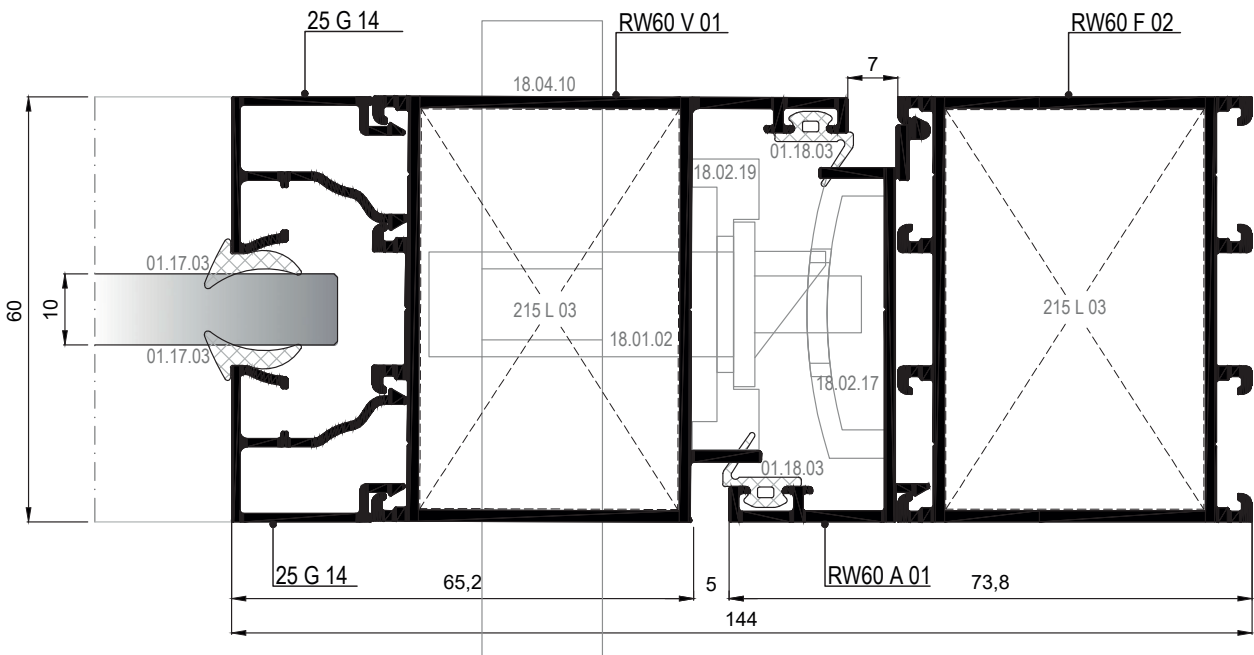


② DETAYI
DETAIL



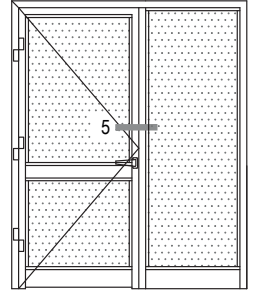


③ DETAYI
DETAIL



④ DETAYI
DETAIL

- 01
- 02
- 03
- 04
- 05
- 06
- 07
- 08
- 09
- 10
- 11
- 12



01

02

03

04

05

06

07

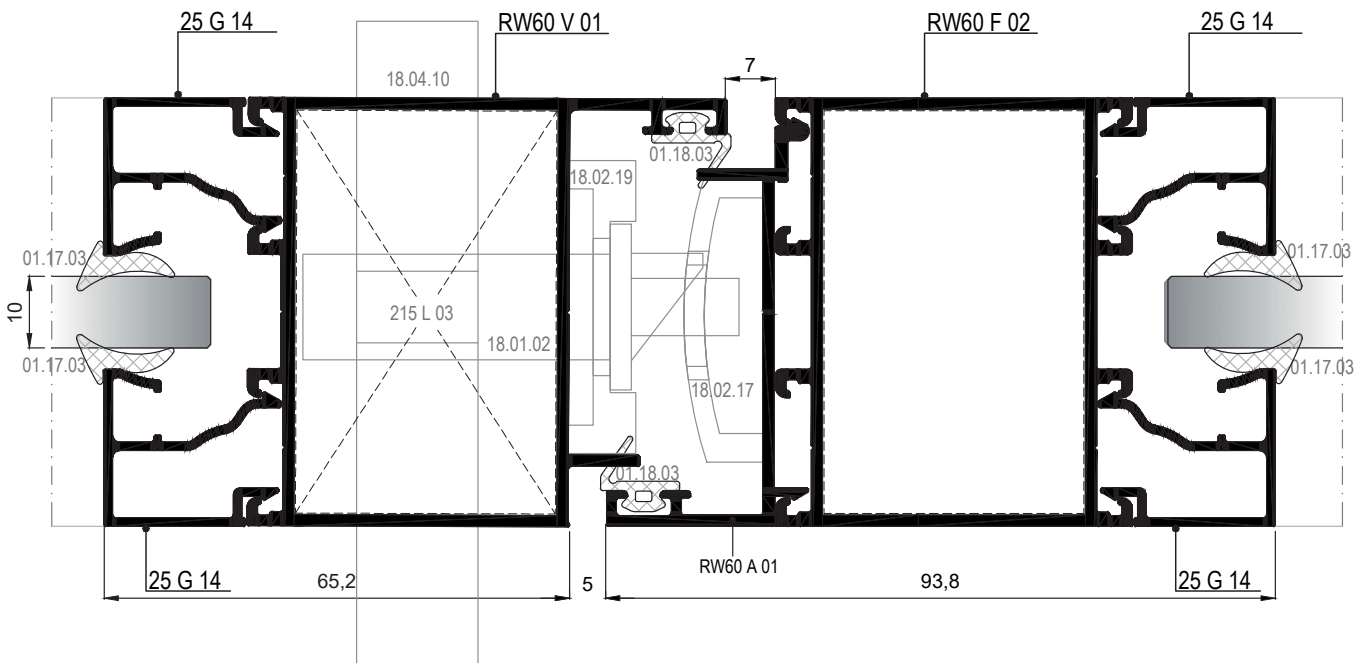
08

09

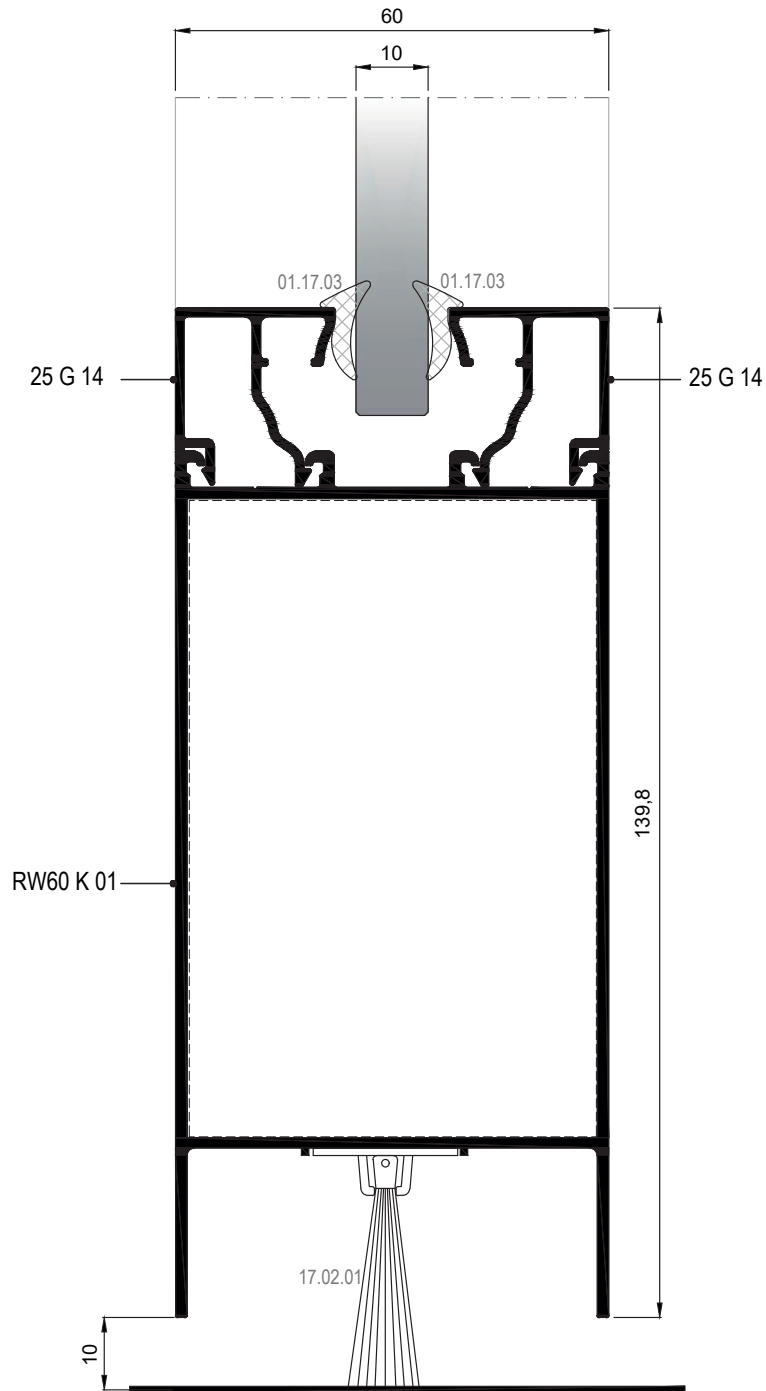
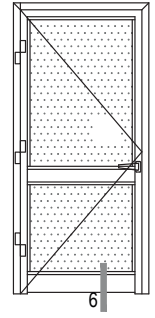
10

11

12



⑤ DETAYI
DETAIL



01

02

03

04

05

06

07

08

09

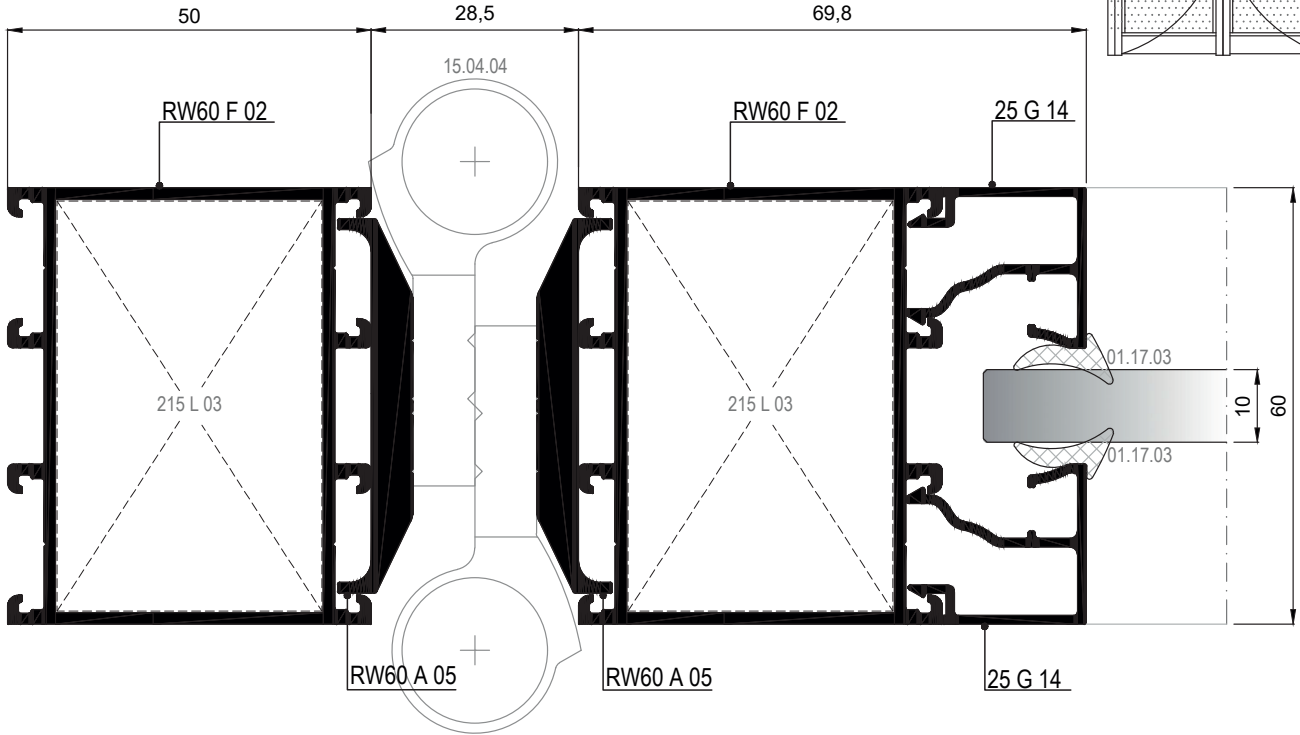
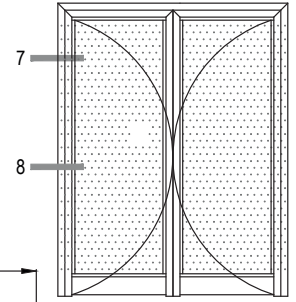
10

11

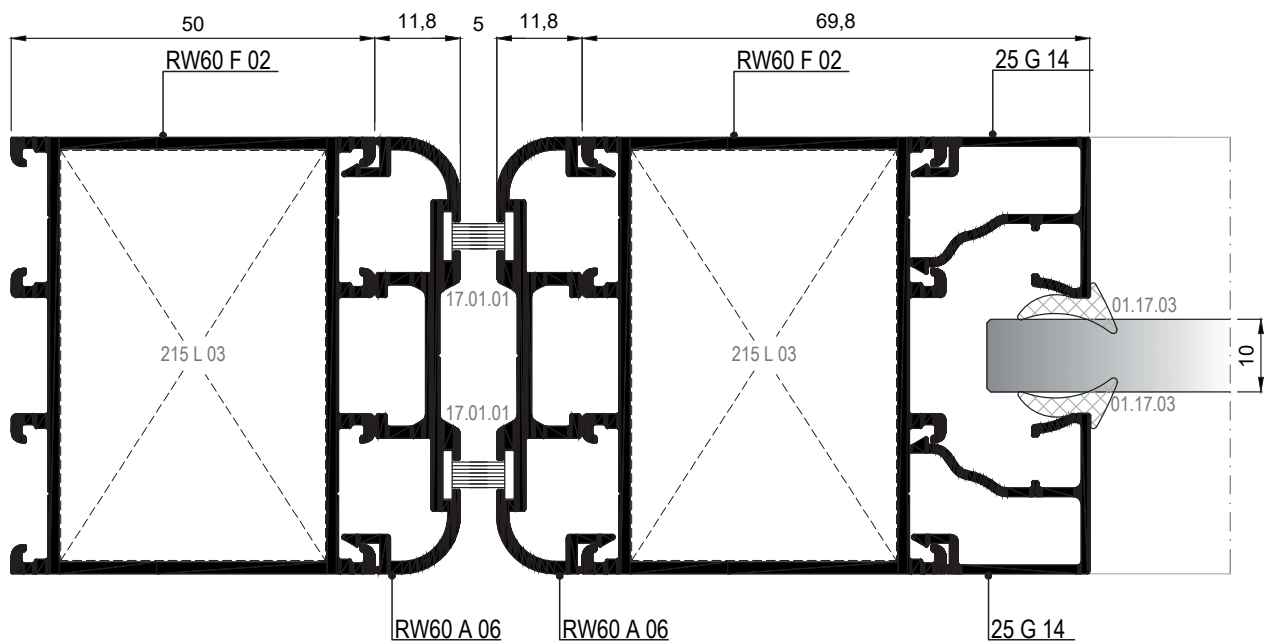
12

⑥ DETAYI
DETAIL

ÇARPMA KAPI DETAYLARI
SWINGING DOOR DETAILS

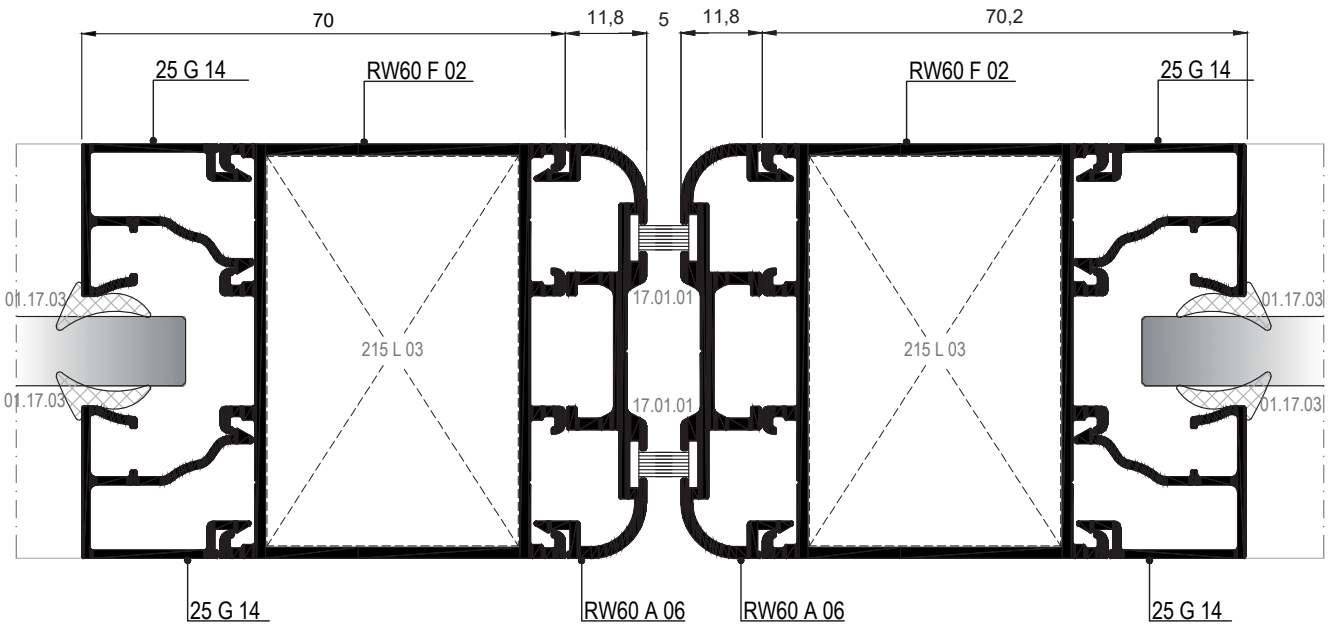
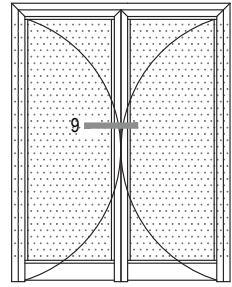


7 DETAYI
DETAIL



8 DETAYI
DETAIL

ÇARPMA KAPI DETAYLARI
SWINGING DOOR DETAILS



01

02

03

04

05

06

07

08

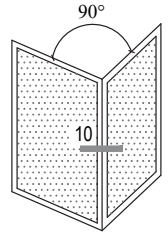
09

10

11

12

⑨ DETAYI
DETAIL



01

02

03

04

05

06

07

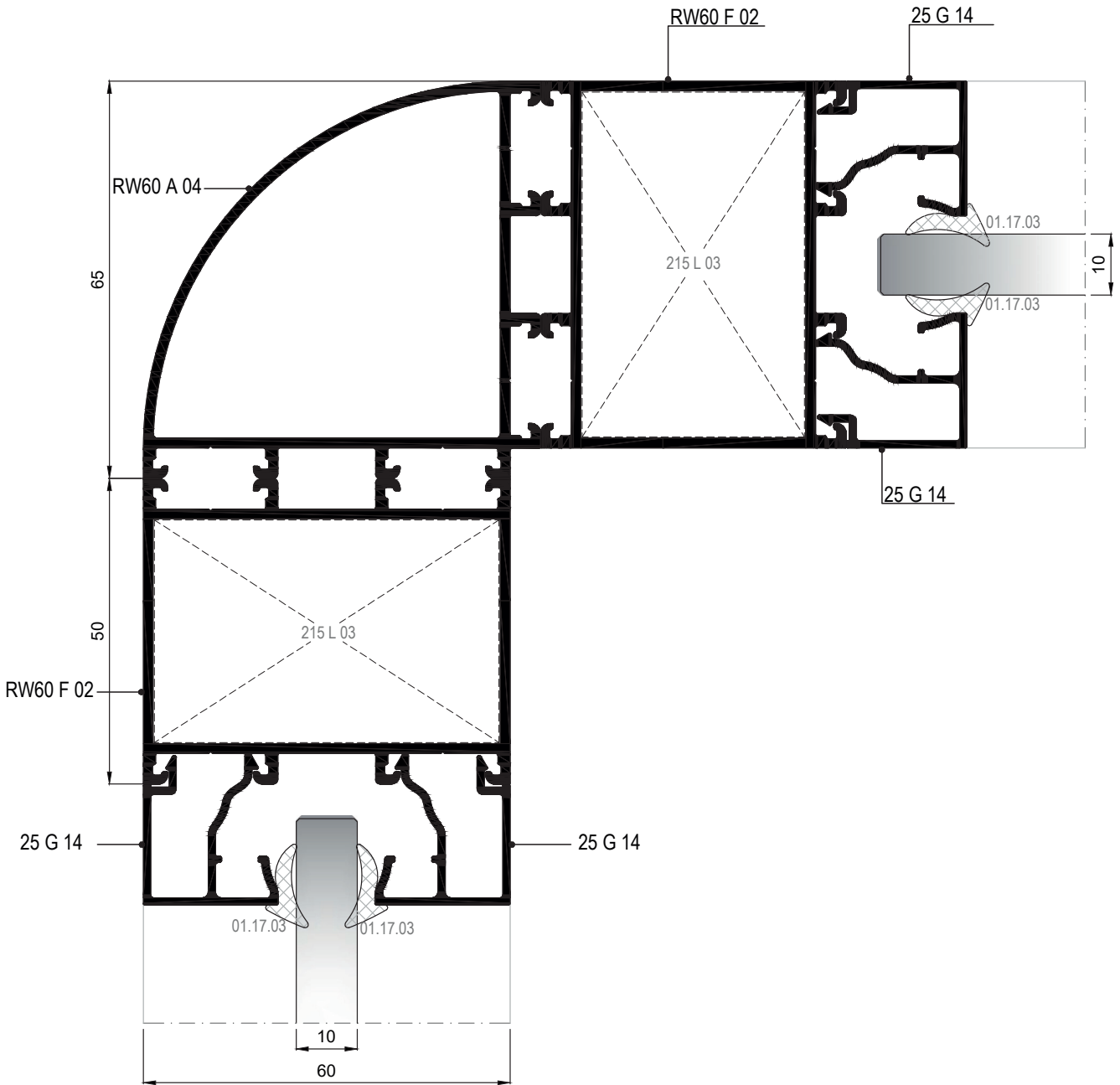
08

09

10

11

12



⑩ DETAYI
DETAIL

MİMARİ KATALOG ARCHITECTURAL CATALOGUE

Alüminyum Kapı Pencere ve Giydirme Cephe Sistemleri
Aluminium Door Window and Facade Systems

RW60

AKSESUARLAR

ACCESSORIES

01

02

03

04

05

06

07


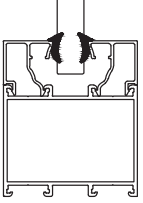

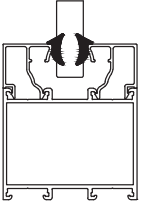

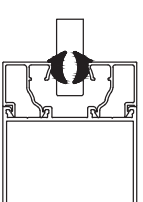

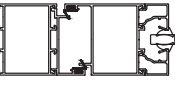

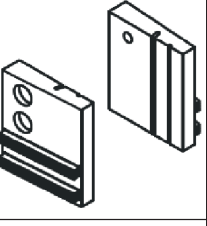
08

09

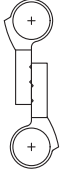
10

11

12

01		<p>01.17.03 İÇ CAM FİTİLİ 2,8 mm INSIDE GLAZING GASKET 2,8 mm</p> <p>Malzeme / Material : EPDM Ağırlık / Weight : 59 gr/m Paket / Package: 254m / 15 kg</p>			
02					
03		<p>01.17.04 İÇ CAM FİTİLİ 3,6 mm INSIDE GLAZING GASKET 3,6 mm</p> <p>Malzeme / Material : EPDM Ağırlık / Weight : 71 gr/m Paket / Package: 210m / 15 kg</p>			
04					
05		<p>01.17.05 İÇ CAM FİTİLİ 4,6 mm INSIDE GLAZING GASKET 4,6 mm</p> <p>Malzeme / Material : EPDM Ağırlık / Weight : 89 gr/m Paket / Package: 168m / 15 kg</p>			
06					
07		<p>01.18.03 DIŞ BİNİ FİTİLİ OUTSIDE ACOUSTICAL GASKET</p> <p>Malzeme / Material : EPDM Ağırlık / Weight : 41 gr/m Paket / Package: 365m / 15 kg</p>			
08					
09		<p>17.01.01 KİL FİTİL 670x700 BRUSH 670x700</p> <p>Malzeme / Material Polipropilen / Polipropilene Paket / Package : 275 mt</p>			
10					
11					
12					

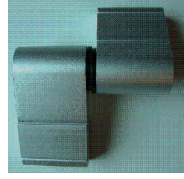
KAPI MENTEŞELERİ / DOOR HINGES



15.04.04

ÇARPMA KAPI MENTEŞESİ
SWING DOOR HINGLE

Malzeme / Material : Paslanmaz Çelik / Stainless Steel

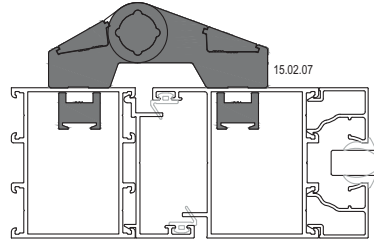
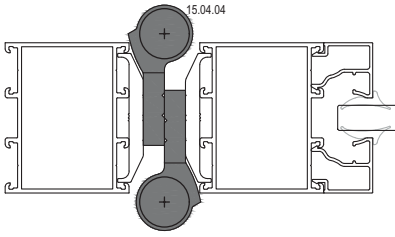


15.02.07

YERLİ KAPI MENTEŞESİ
LOCAL HINGE FOR DOORS

Renk / Colour : Siyah-Beyaz-Gri-Eloksal
Black-White-Grey-Anodized

100 kg için 2 adet kullanılmalıdır. / Should be used 2 for 100 kg.
Max. kanat ölçüsü 900x2200. / Max. vent dimension 900x2200
TS EN 1935



Ölçek/Scale: 1/3

01

02

03

04

05

06

07

08

09

10

11

12

KAPI KOLLARI / DOOR HANDLES



07.14.06

GIESSE KAPI KOLU
GIESSE DOOR HANDLE

Renk / Colour : Siyah-Beyaz-Gri
Black-White-Grey



07.14.07

RESCARA GLOBAL KAPI KOLU
RESCARA GLOBAL DOOR HANDLE

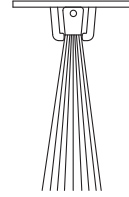
Renk / Colour : Siyah-Beyaz-Gri
Black-White-Grey



07.14.08

RESCARA MULETA KAPI KOLU
RESCARA GLOBAL DOOR HANDLE

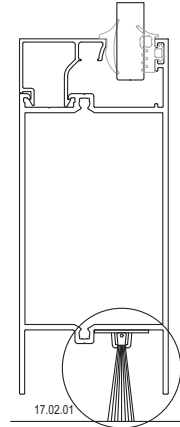
Renk / Colour : Siyah-Beyaz-Gri
Black-White-Grey



17.02.01

KAPI ALTI FIRÇASI
BRUSH FOR DOORS

Malzeme / Material : Polipropilen / Polypropylene



01

02

03

04

05

06

07

08

09

10

11

12

KAPI KOLLARI / DOOR HANDLES

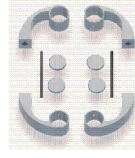


07.17.19

AKBANK KAPI KOLU
DOOR HANDLE

Renk / Colour : Siyah-Beyaz-Gri-Eloksal
Black-White-Grey-Anodised

Ölçüler / Dimensions: H:200 cm



07.13.10

AKBANK KOL APARATI
DOOR HANDLE

Renk / Colour : Siyah-Beyaz-Gri-Eloksal
Black-White-Grey-Anodised

01

02

03

04

05

06

07

08

09

10

11

12

KOD CODE	Ø (mm)	KIVRIK KOL DOOR HANDLE	
		A (mm)	B (mm)
07.17.10	25	200	130
07.17.11	25	300	130
07.17.02	25	400	130
07.17.27	25	500	160

KOD CODE	Ø (mm)	V KOL DOOR HANDLE		
		A (mm)	B (mm)	C (mm)
07.17.06	25	200	130	80
07.17.29	25	250	130	80
07.17.30	25	300	130	80
07.17.31	30	400	160	100

KOD CODE	Ø (mm)	U KOL DOOR HANDLE	
		A (mm)	B (mm)
07.17.08	25	200	80
07.17.35	25	300	80
07.17.36	30	400	100

KOD CODE	Ø (mm)	YARIM AY KOL DOOR HANDLE		
		A (mm)	B (mm)	C (mm)
07.17.32	25	200	130	80
07.17.20	25	300	130	80
07.17.33	30	350	160	100

KOD CODE	Ø (mm)	YAY KOL DOOR HANDLE	
		A (mm)	B (mm)
07.17.37	80	400	350
07.17.22	80	500	450
07.17.38	80	600	550
07.17.39	80	700	650
07.17.40	80	800	750

KOD CODE	Ø (mm)	BASTON KOL DOOR HANDLE		
		A (mm)	B (mm)	C (mm)
07.17.23	25	900	180	80
07.17.34	25	1000	180	80

KAPI KİLİTLERİ / DOOR LOCKS

01



18.01.01

MAKARALI KİLİT
MORTISE LOCK (WITH ROLLER)



18.02.19

DİLLİ KİLİT YATAĞI
MORTISE LOCK PLATE

Renk / Colour : Siyah-Beyaz-Eloksal
Black-White-Anodised

02



18.01.02

DİLLİ KİLİT
MORTISE LOCK



18.02.17

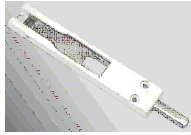
DİLLİ KİLİT KARŞILIĞI
STRIKER FOR MORTISE LOCK

Renk / Colour : Siyah-Beyaz-Eloksal
Black-White-Anodised

03

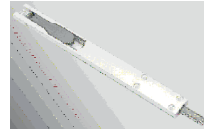
04

05



18.03.09

KAPI SÜRGÜSÜ (KISA)
BOLT FOR DOORS (SHORT)

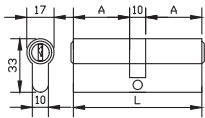


18.03.10

KAPI SÜRGÜSÜ (UZUN)
BOLT FOR DOORS (LONG)

06

07



18.04.10

BAREL
CYLINDER

Malzeme / Material : Krom-Nikel / Chrome-Nickel

A	B	L
33	33	76



18.05.02

BAREL AYNASI
CYLINDER COVER

Renk / Colour : Siyah-Beyaz-Gri
Black-White-Grey

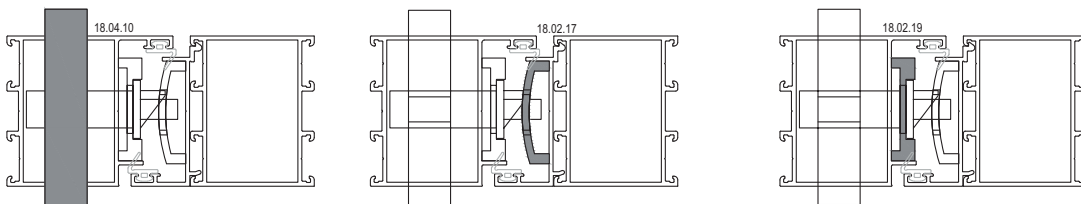
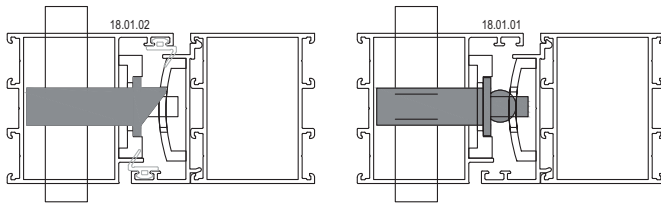
08

09

10

11

12



Ölçek/Scale: 1/3